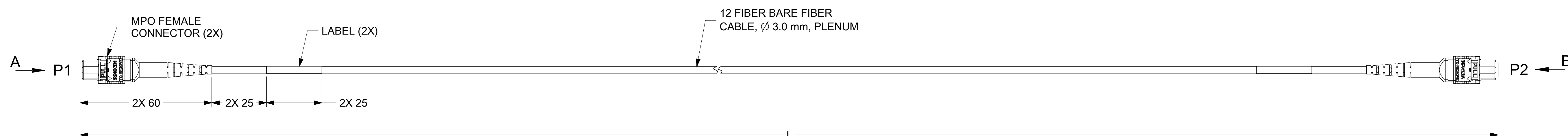
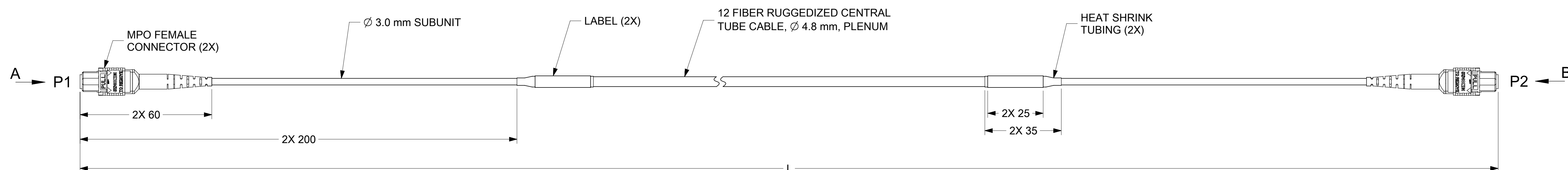


| TRUNK CABLE P/N | OVERALL LENGTH, L (m) | CABLE TYPE | FIBER TYPE | CONNECTOR/CABLE COLOR | INSERTION LOSS | RETURN LOSS |
|-----------------|-----------------------|----------------------------|--|-----------------------|----------------------|----------------------|
| 1062250100 | 1.0 +0.2 / -0 | SINGLE JACKET | MM 50/125 μ m OM3 BIF | AQUA / AQUA | 0.35 dB @ 850 nm | --- |
| 1062250101 | 3.0 +0.2 / -0 | | | | | |
| 1062250102 | 5.0 +0.2 / -0 | | | | | |
| 1062250103 | 10.0 +0.2 / -0 | | | | | |
| 1062250104 | 15.0 +0.3 / -0 | | | | | |
| 1062250105 | 25.0 +0.5 / -0 | | | | | |
| 1062250106 | 50.0 +1.0 / -0 | RUGGEDIZED CENTRAL TUBE | | | | |
| 1062250107 | 100.0 +2.0 / -0 | | | | | |
| 1062250110 | 1.0 +0.2 / -0 | SINGLE JACKET | MM 50/125 μ m OM4 BIF | | | |
| 1062250111 | 3.0 +0.2 / -0 | | | | | |
| 1062250112 | 5.0 +0.2 / -0 | | | | | |
| 1062250113 | 10.0 +0.2 / -0 | | | | | |
| 1062250114 | 15.0 +0.3 / -0 | | | | | |
| 1062250115 | 25.0 +0.5 / -0 | RUGGEDIZED CENTRAL TUBE | | | | |
| 1062250116 | 50.0 +1.0 / -0 | | | | | |
| 1062250117 | 100.0 +2.0 / -0 | | | | | |
| 1062250120 | 1.0 +0.2 / -0 | SINGLE JACKET | SM 9/125 μ m OS2 ITU-T G.657.A1 BIF | YELLOW / YELLOW | 0.35 dB @ 1550 nm | - 50 dB @ 1550 nm |
| 1062250121 | 3.0 +0.2 / -0 | | | | | |
| 1062250122 | 5.0 +0.2 / -0 | | | | | |
| 1062250123 | 10.0 +0.2 / -0 | | | | | |
| 1062250124 | 15.0 +0.3 / -0 | | | | | |
| 1062250125 | 25.0 +0.5 / -0 | | | | | |
| 1062250126 | 50.0 +1.0 / -0 | | | | | |
| 1062250127 | 100.0 +2.0 / -0 | | | | | |

| CONNECTIONS | |
|-----------------------|-----------------------|
| FROM | TO |
| P1-1 THRU P1-12 | P2-12 THRU P2-1 |



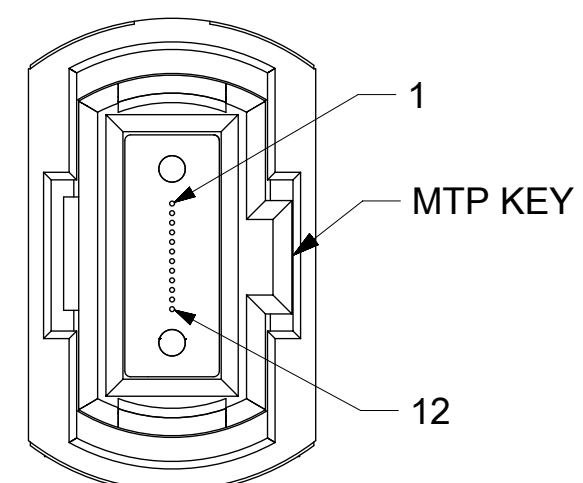
SINGLE JACKET



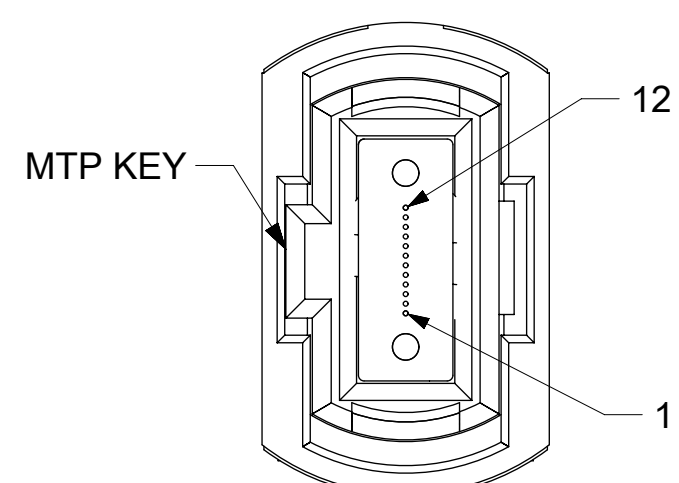
RUGGEDIZED CENTRAL TUBE

NOTES:

1. ENDCAPS ARE NOT SHOWN BUT INCLUDED.
2. LABEL IS PRINTED WITH MOLEX P/N AND SERIAL NUMBER.
3. FOR DETAILED PRODUCT SPECIFICATION SEE DOCUMENT 1062250000 ES.
4. CABLE CONSTRUCTION:
 - L < 25 meters - SINGLE JACKET CABLE
 - L \geq 25 meters - RUGGEDIZED CENTRAL TUBE CABLE
5. INSERTION LOSS TEST DATA IS PROVIDED WITH EACH SHIPMENT.
6. PACKAGING:
 - L < 50 meters - INDIVIDUALLY COILED AND BAGGED
 - L \geq 50 meters - SHIPPED ON SPOOLS



VIEW A
SCALE 5:1



VIEW B
SCALE 5:1

| | | | | | |
|---|--|---------|------------------------|-----------------|--------------|
| THIS DRAWING CONTAINS INFORMATION THAT IS PROPRIETARY TO MOLEX ELECTRONIC TECHNOLOGIES, LLC AND SHOULD NOT BE USED WITHOUT WRITTEN PERMISSION | | | | | |
| SYMBOLS | DIMENSION UNITS | SCALE | CURRENT REV DESC: | | |
| $\nabla = 0$ | mm | 1:1 | | | |
| $\nabla = 0$ | GENERAL TOLERANCES (UNLESS SPECIFIED) | | | | |
| $\nabla = 0$ | ANGULAR TOL | \pm | $^\circ$ | | |
| $\nabla = 0$ | 4 PLACES | \pm | | | |
| $\nabla = 0$ | 3 PLACES | \pm | | | |
| $\nabla = 0$ | 2 PLACES | \pm | | | |
| $\nabla = 0$ | 1 PLACE | \pm | | | |
| $\nabla = 0$ | 0 PLACES | \pm | | | |
| $\square = 0$ | DRAFT WHERE APPLICABLE MUST REMAIN WITHIN DIMENSIONS | | THIRD ANGLE PROJECTION | | |
| $\nabla = 0$ | | | | | |
| EC NO: 176410 DRWN: MAGHAYERE01 2018/04/30 CHK'D: IGUMIN 2018/05/16 APPR: IGUMIN 2018/05/16 | | | | | |
| INITIAL REVISION: DRWN: MAGHAYERE01 2018/04/30 APPR: IGUMIN 2018/05/16 | | | | | |
| DOCUMENT NUMBER | | | DOC TYPE | DOC PART | REVISION |
| 1062250100 | | | PSD | 000 | A |
| DRAFT WHERE APPLICABLE MUST REMAIN WITHIN DIMENSIONS | | DRAWING | SERIES | MATERIAL NUMBER | CUSTOMER |
| D-SIZE | | 106225 | SEE TABLE | | SHEET NUMBER |
| | | | | | 1 OF 1 |