

PQ3230 Resonant Inductor

APQ3230-4658



- PQ3230 Core Package
- Through Hole Design
- Extended Operating Temperature Range: -40°C to +125°C

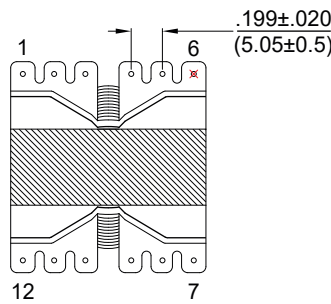
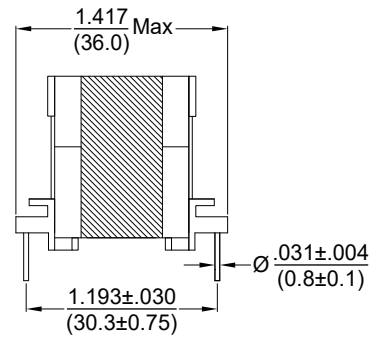
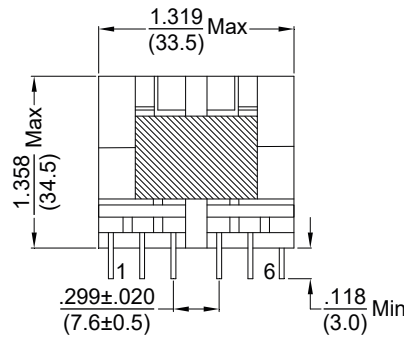
Electrical Specifications @25°C

Inductance @100KHz, 0.1V No Load	Inductance @100KHz, 0.1V @ 7.5A	DC Resistance (mΩ Max)	HiPot 3mA / 60Sec	
(2,3 - 8,9)	(2,3 - 8,9)	(2,3 - 8,9)	2,3 - 12	Pin - Core
90.0μH ±12%	75.0μH Min	50.0	3000VAC	3000VAC

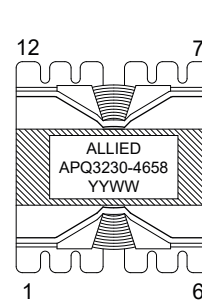
All specifications subject to change without notice

MECHANICAL

Dimensions:  $\frac{\text{inch}}{\text{mm}}$



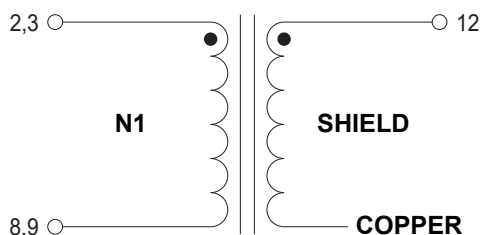
BOTTOM VIEW



TOP VIEW

Note: Remove pin 6

SCHEMATIC



WINDING CONSTRUCTION

