

966870-1 ✓ ACTIVE

AMPMODU | AMPMODU Headers

TE Internal #: 966870-1

PCB Mount Header, Horizontal, Wire-to-Board, 16 Position, 2.5 mm

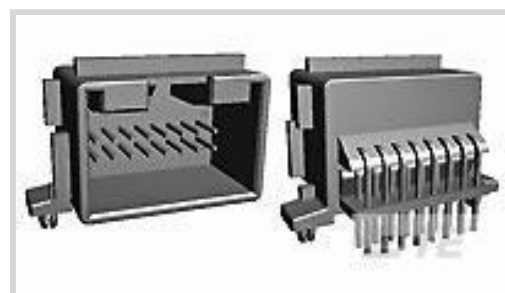
Centerline, Fully Shrouded, Tin, Through Hole - Solder, Signal,

AMPMODU Headers

[View on TE.com >](#)



Connectors > PCB Connectors > PCB Headers & Receptacles



Connector System: **Wire-to-Board**

Number of Positions: **16**

Centerline (Pitch): **2.5 mm**

Sealable: **No**

PCB Mount Orientation: **Horizontal**

## Features

### Product Type Features

Hybrid Header	No
Connector Shape	Rectangular
PCB Connector Assembly Type	PCB Mount Header
Header Type	Fully Shrouded
Connector System	Wire-to-Board
Sealable	No
Connector & Contact Terminates To	Printed Circuit Board

### Configuration Features

Number of Signal Positions	16
Number of Positions	16
PCB Mount Orientation	Horizontal
Number of Rows	2

### Electrical Characteristics

Nominal Voltage Architecture	12 V
------------------------------	------

### Body Features

Primary Product Color	Black
Connector & Keying Code	A

### Contact Features



Contact Size	.63mm
Contact Type	Tab
Mating Tab Width	.63 mm
Mating Tab Thickness	.63 mm
Contact Mating Area Plating Material	Tin

### Termination Features

Termination Method to Printed Circuit Board	Through Hole - Solder
---	-----------------------

### Mechanical Attachment

Mounting Holes	Without
Mating Alignment	With
PCB Mount Retention	With
PCB Mount Retention Type	Boardlock
Connector Mounting Type	Board Mount

### Housing Features

Centerline (Pitch)	2.5 mm
--------------------	--------

### Dimensions

Connector Length	35 mm
Connector Width	15.5 mm
Profile Height from PCB	16.2 mm

### Usage Conditions

Operating Temperature (Max)	110 °C
Operating Temperature Range	-40 – 110 °C

### Operation/Application

Shielded	No
Circuit Application	Signal

### Product Compliance

[For compliance documentation, visit the product page on TE.com>](#)

EU RoHS Directive 2011/65/EU	Compliant
EU ELV Directive 2000/53/EC	Compliant
China RoHS 2 Directive MIIT Order No 32, 2016	No Restricted Materials Above Threshold
EU REACH Regulation (EC) No. 1907/2006	



Current ECHA Candidate List: JUNE 2023  
(235)  
Candidate List Declared Against: JAN 2023  
(233)  
Does not contain REACH SVHC

Halogen Content  
Low Halogen - Br, Cl, F, I < 900 ppm per homogenous material. Also BFR/CFR/PVC Free

Solder Process Capability  
Wave solder capable to 240°C

Product Compliance Disclaimer

This information is provided based on reasonable inquiry of our suppliers and represents our current actual knowledge based on the information they provided. This information is subject to change. The part numbers that TE has identified as EU RoHS compliant have a maximum concentration of 0.1% by weight in homogenous materials for lead, hexavalent chromium, mercury, PBB, PBDE, DBP, BBP, DEHP, DIBP, and 0.01% for cadmium, or qualify for an exemption to these limits as defined in the Annexes of Directive 2011/65/EU (RoHS2). Finished electrical and electronic equipment products will be CE marked as required by Directive 2011/65/EU. Components may not be CE marked. Additionally, the part numbers that TE has identified as EU ELV compliant have a maximum concentration of 0.1% by weight in homogenous materials for lead, hexavalent chromium, and mercury, and 0.01% for cadmium, or qualify for an exemption to these limits as defined in the Annexes of Directive 2000/53/EC (ELV). Regarding the REACH Regulation, the information TE provides on SVHC in articles for this part number is based on the latest European Chemicals Agency (ECHA) 'Guidance on requirements for substances in articles' posted at this URL: <https://echa.europa.eu/guidance-documents/guidance-on-reach>

### Compatible Parts



TE Part # CAT-M8793-CH8172  
MQS, CONNECTOR HOUSING



TE Part # 1-1534097-1  
MQS COVER 2X8P



TE Part # 1355361-1  
TSP ABDECKKAPPE2X8P

### Also in the Series | AMPMODU Headers




PCB Connector Mounting(1)



PCB Connector Shrouds(1)



PCB Headers & Receptacles(4961)



PCB Latches, Locks & Retainers(2)

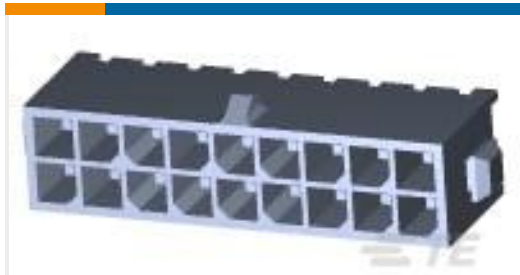


Wire-to-Board Connector Assemblies & Housings(5)



Wire-to-Board Connector Contacts(65)

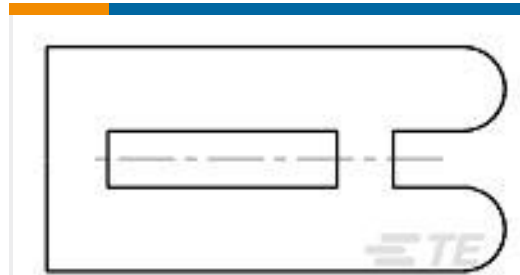
## Customers Also Bought



TE Part #4-794630-8  
18P MICRO MNL ASSY,VRT,HDR,LF



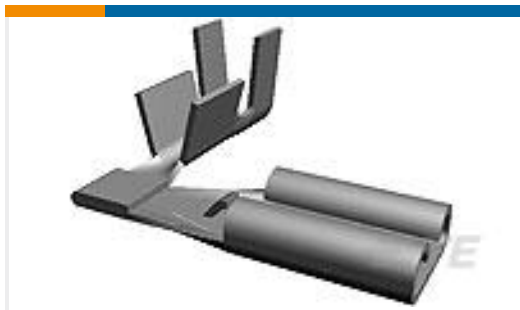
TE Part #826467-8  
8P MOD II SHROUDED HEADER, ST



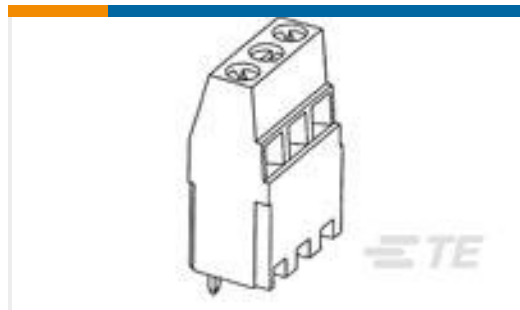
TE Part #926498-3  
MOD2 KODIERSTUECK



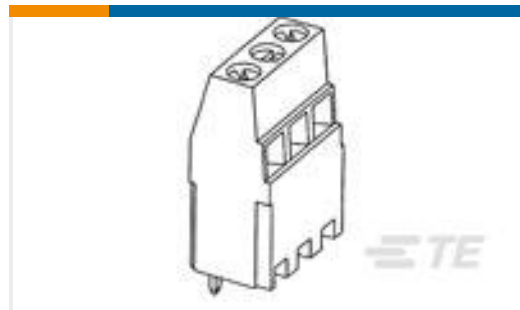
TE Part #180464-2  
250 FASTON,FLAG,REC.,14-17AWG, LATON



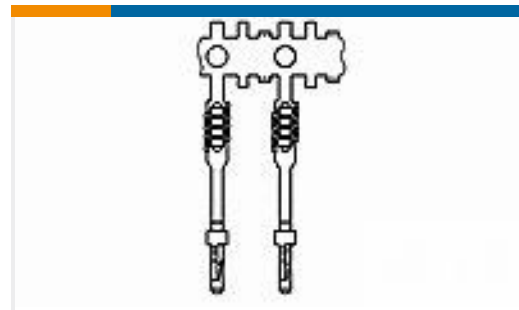
TE Part #62336-1  
110 FASTON FLAG REC 22-18 AWG TPBR



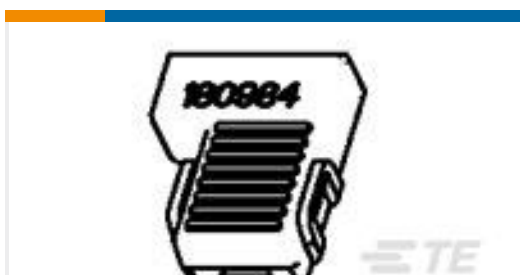
TE Part #282901-2  
TERMI-BLOK PCB MOUNT 2ND 2P.5,



TE Part #282901-3  
TERMI-BLOK PCB MOUNT 2ND 3P.5,



TE Part #2-963964-3  
MQS STIFTE MAGAZ



TE Part #7-180984-0  
250 FASTON BOOT FLAG REC. 1P NATURAL



TE Part #3-928776-6  
MOD II ACTION PIN SILVER PLATED

## Documents

### Product Drawings

[MOD2 ST-WANNE 2X 8P](#)

English

### CAD Files

[3D PDF](#)

[3D](#)

### Customer View Model

[ENG\\_CVM\\_CVM\\_966870-1\\_C.2d\\_dxf.zip](#)



English

**Customer View Model**

[ENG\\_CVM\\_CVM\\_966870-1\\_C.3d\\_igs.zip](#)

English

**Customer View Model**

[ENG\\_CVM\\_CVM\\_966870-1\\_C.3d\\_stp.zip](#)

English

By downloading the CAD file I accept and agree to the [Terms and Conditions](#) of use.

## Product Specifications

[Product Specification](#)

English