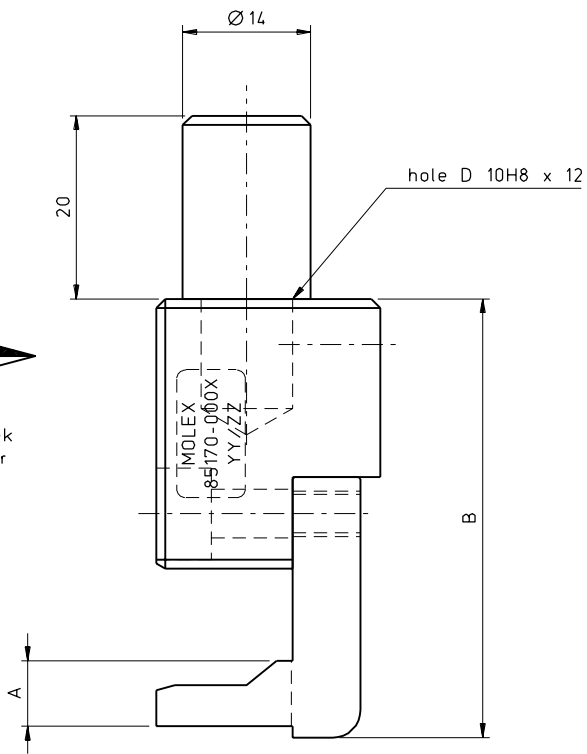
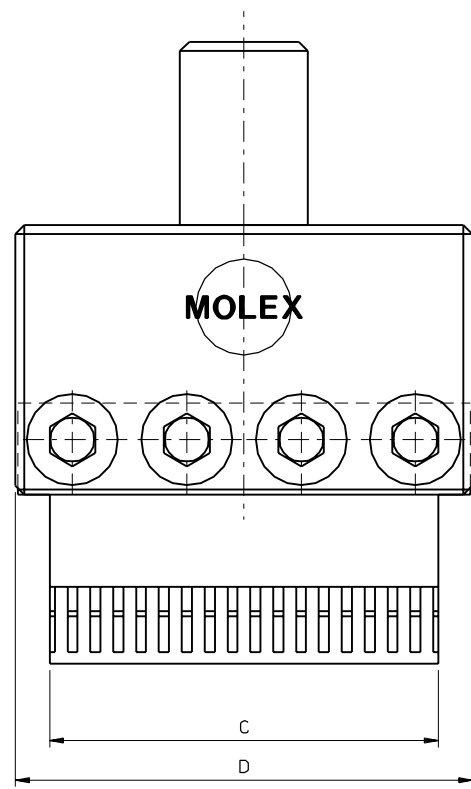


PART NO.  
DWG. NO.

YY = week  
ZZ = year



View Z



Mat. Nr.	Description	A	B	C	D
85170-0001	Press tool Vertical female 4SU/22	10.7	71.45	92.5	100
85170-0002	Press tool Vertical female 4SU/18.5	7.2	67.95	92.5	100
85170-0003	Press tool Vertical female 2SU/22	10.7	51.45	42.5	50
85170-0004	Press tool Vertical female 2SU/18.5	7.2	47.95	42.5	50
85170-0005	Press tool Vertical female 1SU/22	10.7	51.45	17.5	25
85170-0006	Press tool Vertical female 1SU/18.5	7.2	47.95	17.5	25

EC NO. 2502  
DRWN: T. Betz 4 / 6 2/97  
CHK: / /  
APPR: / /  
REV A

DESCRIPTION  
MAJOR  
CRITICAL  
C

QUALITY SYMBOLS  
GENERAL TOLERANCES: (UNLESS SPECIFIED)  
4 PLACES ±0. mm ±. INCH  
3 PLACES ±0. mm ±. INCH  
2 PLACES ±0. mm ±. INCH  
1 PLACE ±0. mm ±. INCH  
ANGULAR: ± 1/2 °  
DRAFT WHERE APPLICABLE MUST REMAIN WITHIN DIMENSIONS

SCALE 2:1  
DESIGN UNITS  mm  INCH  
DRAWN BY & DATE T.B. 4 / 10 / 95  
CHECKED BY & DATE / /  
APPROVED BY & DATE / /  
CAD FILENAME 85170001.S01

DIMENSIONS:  mm  INCH  mm ONLY  
THIRD ANGLE PROJECTION  
TITLE: Omnigridd Press Tool Vertical Female  
MOLEX INCORPORATED  
MATERIAL NO. see chart SD  
DRAWING NO. -85170-001  
SHEET NO. 10F 1  
THIS DRAWING CONTAINS INFORMATION THAT IS PROPRIETARY TO MOLEX INCORPORATED AND SHOULD NOT BE USED WITHOUT WRITTEN PERMISSION.  
SIZE B