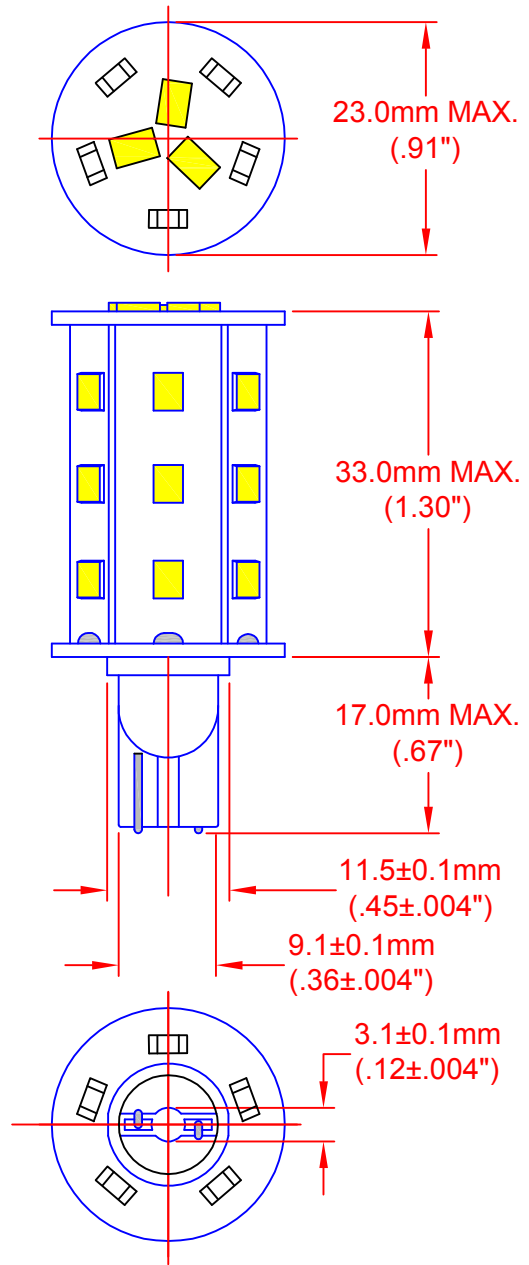


# FEATURES

- T-3 1/4 WEDGE BASE - NON-POLARIZED
- WIDE INPUT VOLTAGE RANGE
- LOW POWER USAGE
- OMNI DIRECTIONAL LIGHT DISTRIBUTION
- EFFICACY OF 83 Lm/WATT
- CRI > 80
- COLOR TEMPERATURE 3000°K



JKL PART NUMBER	VOLTAGE AC/DC			WATTS			ILLUMINANCE FLUX lm TYP
	MIN	NOM	MAX	MIN	NOM	MAX	
LE-WB18-12WW	10	12	30	2.0	2.4	2.6	200

JKL PART NUMBER: LE-WB18-12WW

		 THIRD ANGLE PROJECTION		DIMENSIONS ARE IN MILLIMETERS TOLERANCE UNLESS OTHERWISE SPECIFIED 1 PL +/- 0.2 2 PL +/- 0.20 ANGLE +/-		<b>JKL</b> COMPONENTS CORPORATION				
						TITLE <b>T-3 1/4 WEDGE BASE MULTI CHIP LED LAMP</b>				
<b>A</b>	ADD COLOR TEMP TO FEATURES	2/6/16	DRAWN BY	APPV'D BY	DATE	SIZE	FSCM NO.	DRAWING NO.		
	RELEASED	11/8/15	L. WENGSTROM	L.R.	2/6/16	<b>A</b>	<b>55335</b>	LE-WB18-12WW		
REV. NO.	DESCRIPTION/ECO NUMBER	APPV'D DATE	- CAD DRAWING - MANUAL REVISIONS NOT PERMITTED			SCALE	RELEASED DATE	REVISION DATE	REV. NO.	SHEET
						NONE	11/8/15	2/6/16	<b>A</b>	1 OF 1