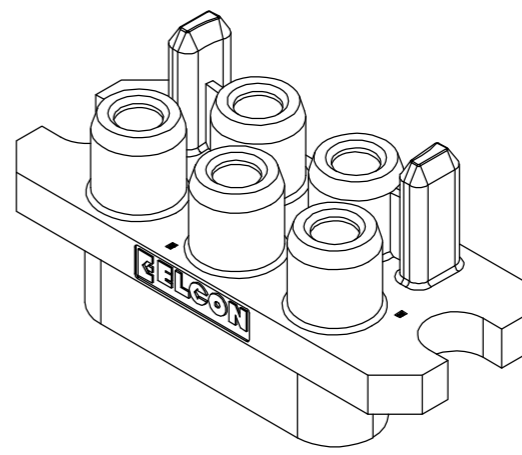
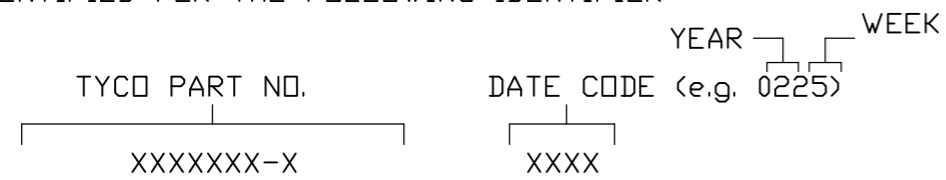


This drawing involves proprietary design rights of ELCON PRODUCTS INT'L Co., and all design, manufacture, reproduction, use and sale rights regarding the same are expressly reserved. It is submitted for a specific purpose and the recipient by accepting this drawing, assumes custody and control and agrees to take reasonable precautions; (a) that this drawing will not be copied and reproduced, in whole or in part, or its contents revealed in any manner, or to any person except to meet the purpose for which it was delivered and (b) that any special features peculiar to this design will not be incorporated in other projects without the expressed written permission of ELCON PRODUCTS INTERNATIONAL CO.

REVISIONS			
ECO	REV	DESCRIPTION	DATE
-	A	NEW RELEASE	14MAR06



6 ITEM PROVIDED TO THIS SPECIFICATION TO BE PERMANENTLY IDENTIFIED PER THE FOLLOWING IDENTIFIER:



5. REFERENCE DIMENSION (X.XX) IS WITHOUT TOLERANCE AND USED FOR INFORMATION ONLY.

4 MOUNTING HARDWARE: SHOULDER SCREW REF. TYCO PN 1650596-1 TO BE ORDERED SEPARATELY. SHOWN FOR REFERENCE ONLY.

3 CONNECTOR HOUSING ONLY, ALL SOCKET CONTACTS TO BE PURCHASED SEPARATELY.

2. MATERIALS:
 HOUSINGS: THERMOPLASTIC, GLASS REINFORCED, UL94V-0 FLAMMABILITY RATED, COLOR-BLACK.
 RETENTION CLIPS: BERYLLIUM COPPER OR STAINLESS STEEL.

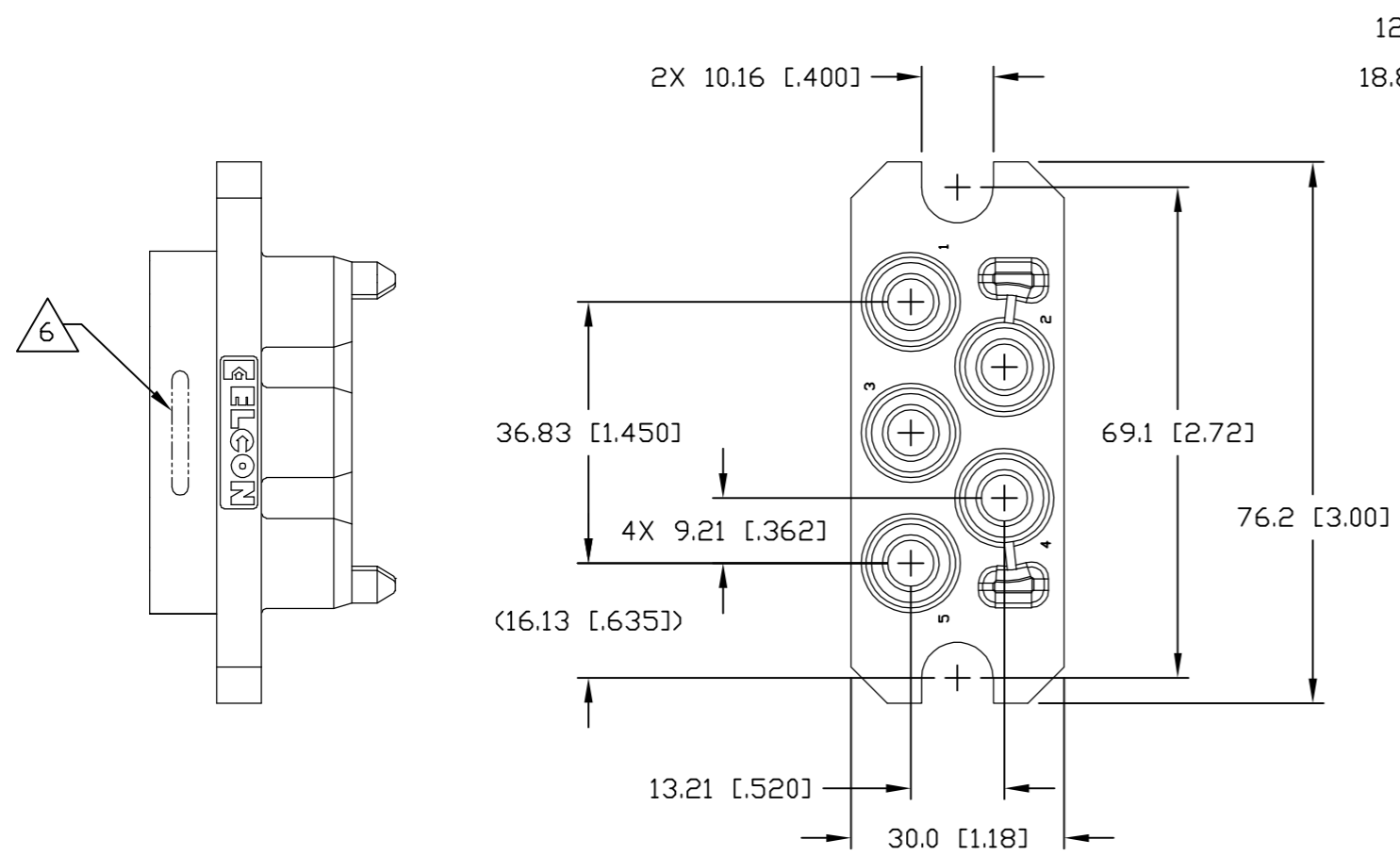
1. PART NUMBER CHANGES AND/OR DESIGN CHANGES AFFECTING ITEM INTERCHANGEABILITY REQUIRE PRIOR ELCON APPROVAL AND AUTHORIZATION BY REVISION TO THIS DRAWING.

TABLE 1					
CONN	CONN. P/N	CONT. SIZE	CONTACT QTY	CONTACT P/N	TERMINATION STYLE
SOCKET	6651451-1	4	UP TO 5	NO CONTACTS 3	CONSULT TYCO FOR OPTIONS

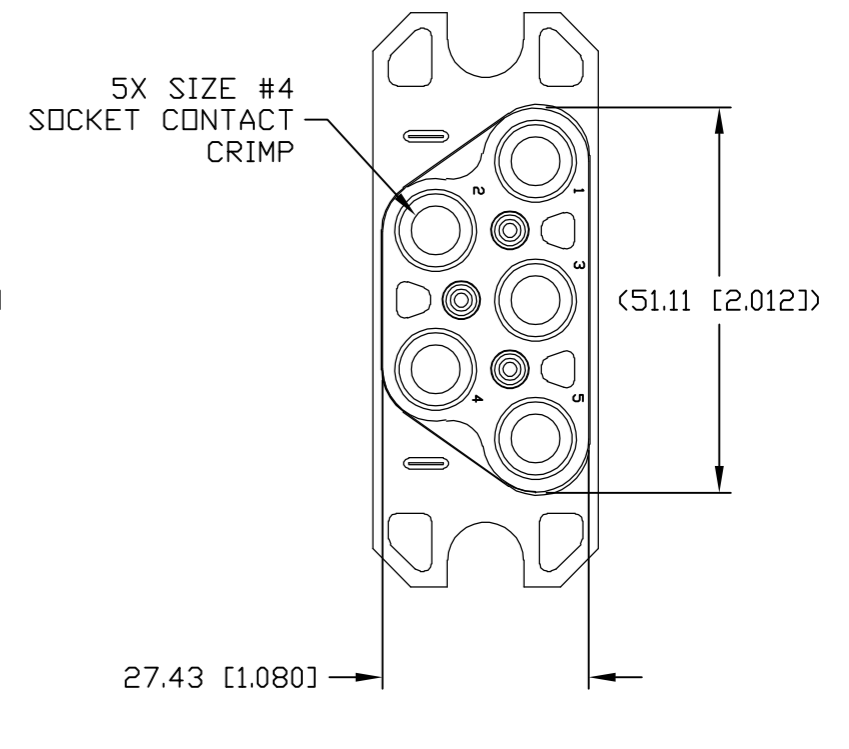
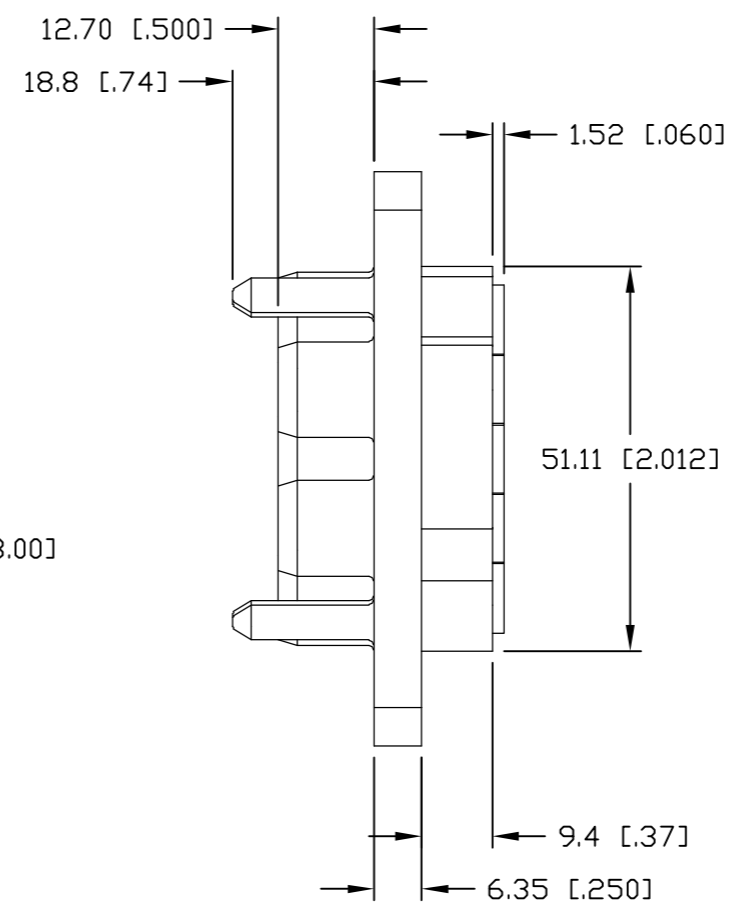
← MM OR MM [INCH] INCH THIRD ANGLE PROJECTION UNLESS OTHERWISE SPECIFIED DIMENSIONS ARE IN MILLIMETERS [INCH] TOLERANCES ANGLES ± .5° DECIMALS .XX ± .25 [.010] .X ± .5 [.02]	DRAWN R.GRZYBOWSKI	DATE 14MAR06	 PRODUCTS INTERNATIONAL COMPANY P.O. Box 1885 Fremont, California 94538 TEL (510) 490-4200	
	CHECKED S.FLICKINGER	14MAR06		TITLE SUBASSEMBLY SOCKET CONNECTOR POWER CUSTOM DRAWER P5S0 DRAWER
	APPROVED		SIZE B	DWG NUMBER 6651451
	APPROVED S.FLICKINGER		REV. A	
	DCA APPROVED			
	ACAD FILE NUMBER 6651451A		DWG SCALE 1=1	
			SH 1 OF 4	

This drawing involves proprietary design rights of ELCON PRODUCTS INT'L Co., and all design, manufacture, reproduction, use and sale rights regarding the same are expressly reserved. It is submitted for a specific purpose and the recipient by accepting this drawing, assumes custody and control and agrees to take reasonable precautions; (a) that this drawing will not be copied and reproduced, in whole or in part, or its contents revealed in any manner, or to any person except to meet the purpose for which it was delivered and (b) that any special features peculiar to this design will not be incorporated in other projects without the expressed written permission of ELCON PRODUCTS INTERNATIONAL CO.

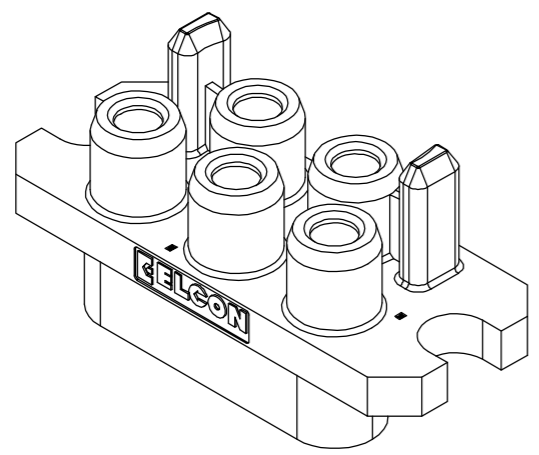
REVISIONS			DATE
ECO	REV	DESCRIPTION	DATE
		SEE SHEET 1	



FRONT VIEW



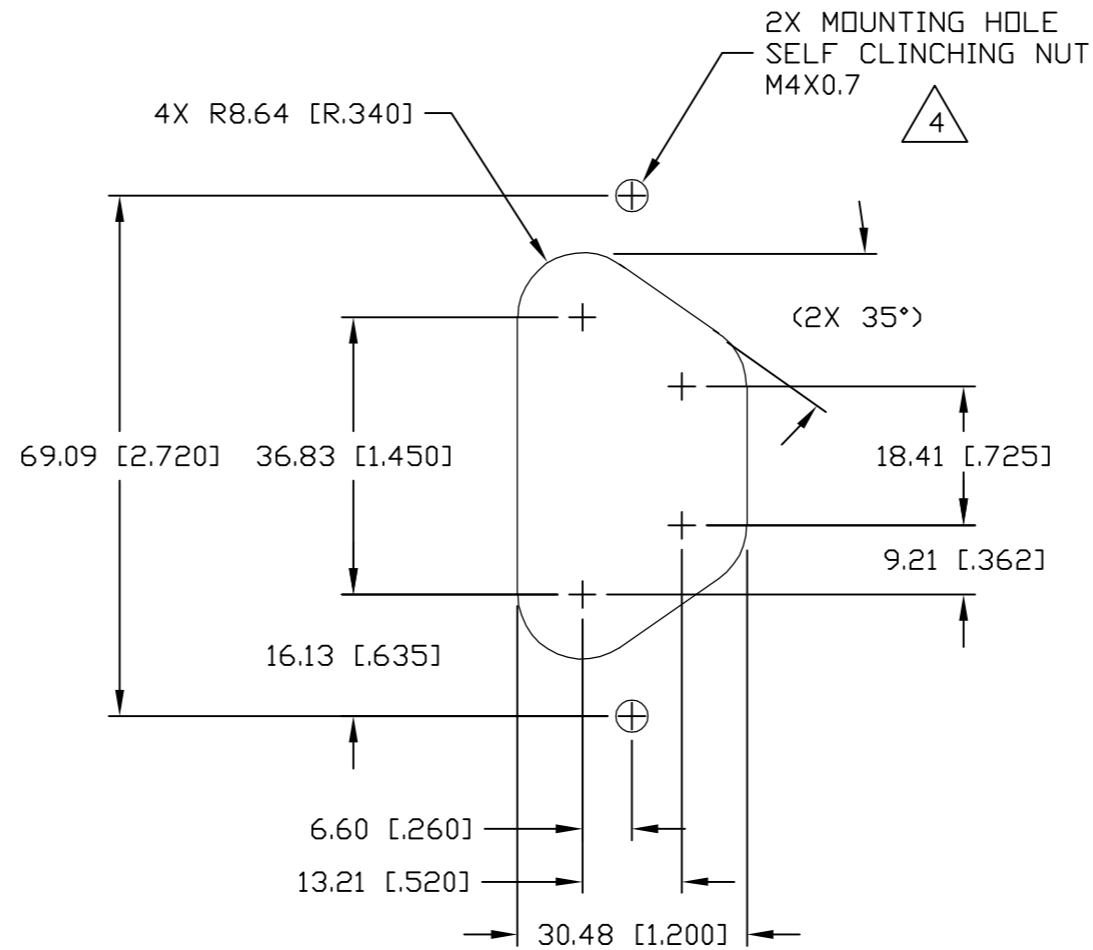
REAR VIEW



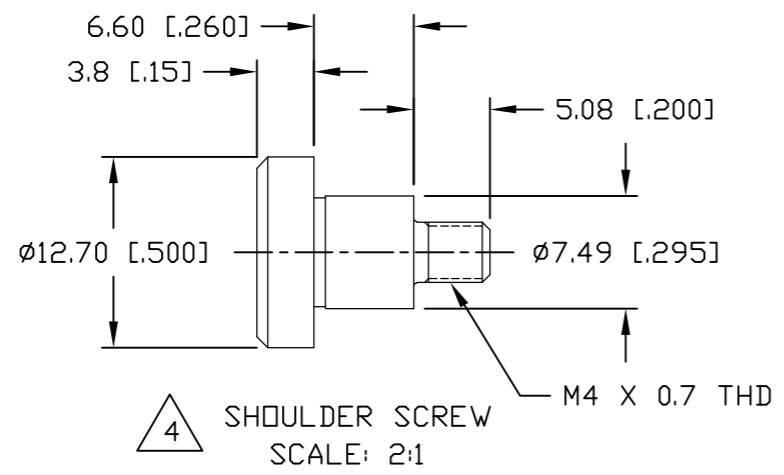
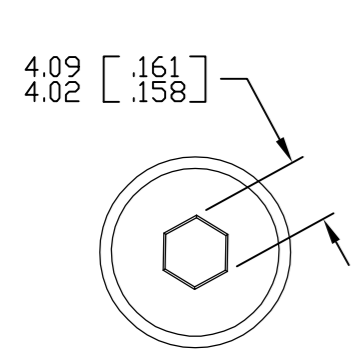
← MM OR MM [INCH] INCH THIRD ANGLE PROJECTION UNLESS OTHERWISE SPECIFIED DIMENSIONS ARE IN MILLIMETERS [INCH] TOLERANCES ANGLES ± .5° DECIMALS .XX ± .25 [.010] .X ± .5 [.02]	DRAWN R.GRZYBOWSKI	DATE 14MAR06	 PRODUCTS INTERNATIONAL COMPANY P.O. Box 1885 Fremont, California 94538 TEL (510) 490-4200		
	CHECKED S.FLICKINHER	14MAR06		TITLE SUBASSEMBLY SOCKET CONNECTOR POWER CUSTOM DRAWER P5S0 DRAWER	
	APPROVED S.FLICKINGER	14MAR06	SIZE B		DWG NUMBER 6651451
	APPROVED DCA APPROVED	ACAD FILE NUMBER 6651451A	DWG SCALE 1=1	SH 2 OF 4	

This drawing involves proprietary design rights of ELCON PRODUCTS INT'L Co., and all design, manufacture, reproduction, use and sale rights regarding the same are expressly reserved. It is submitted for a specific purpose and the recipient by accepting this drawing, assumes custody and control and agrees to take reasonable precautions; (a) that this drawing will not be copied and reproduced, in whole or in part, or its contents revealed in any manner, or to any person except to meet the purpose for which it was delivered and (b) that any special features peculiar to this design will not be incorporated in other projects without the expressed written permission of ELCON PRODUCTS INTERNATIONAL CO.

REVISIONS			
ECO	REV	DESCRIPTION	DATE
		SEE SHEET 1	



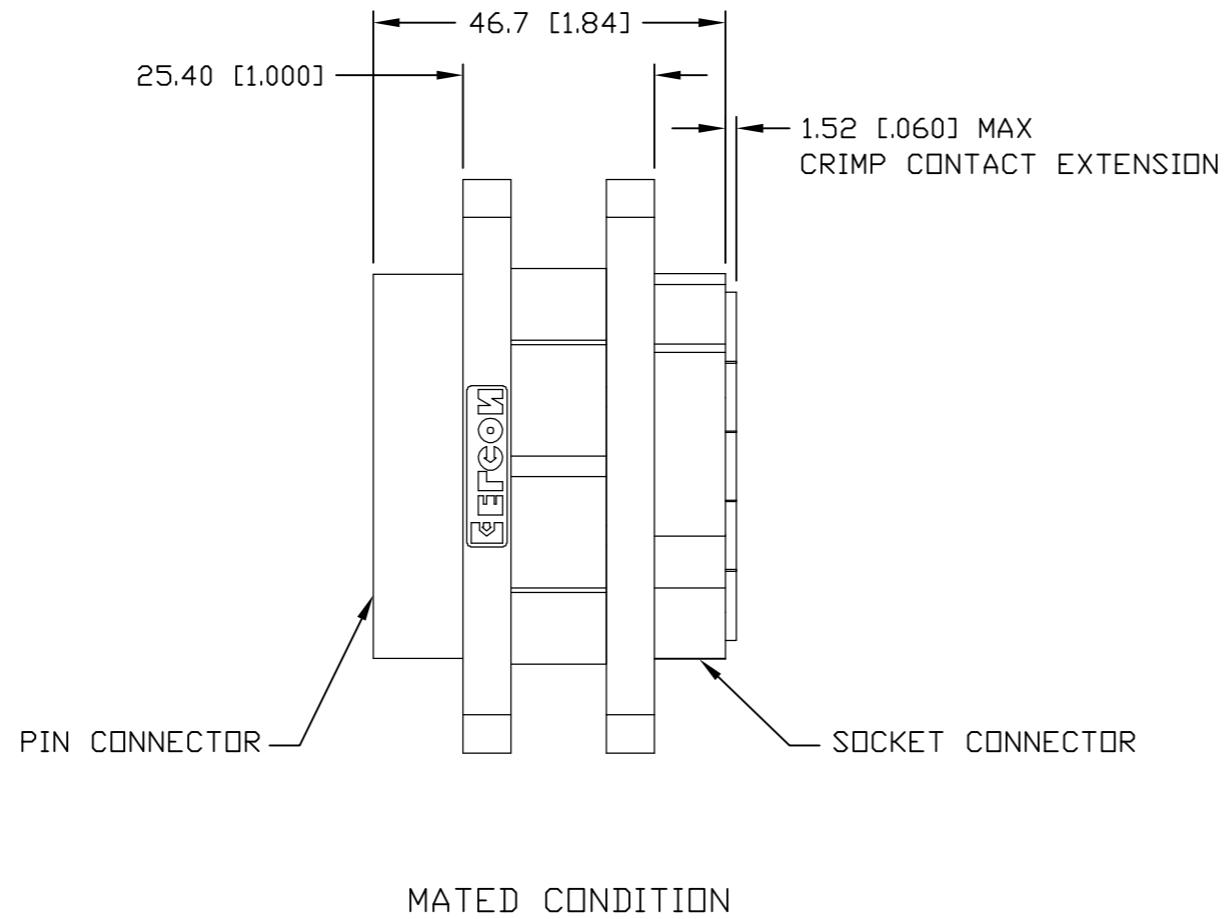
SUGGESTED PANEL CUTOUT
VIEWED FROM CONNECTOR MOUNTING SIDE



← MM OR MM [INCH] INCH THIRD ANGLE PROJECTION UNLESS OTHERWISE SPECIFIED DIMENSIONS ARE IN MILLIMETERS [INCH] TOLERANCES ANGLES ± .5° DECIMALS .XX ± .25 [.010] .X ± .5 [.02]	DRAWN R.GRZYBOWSKI	DATE 14MAR06	PRODUCTS INTERNATIONAL COMPANY P.O. Box 1885 Fremont, California 94538 TEL (510) 490-4200			
	CHECKED S.FLICKINGER	14MAR06		TITLE SUBASSEMBLY SOCKET CONNECTOR POWER CUSTOM DRAWER P5S0 DRAWER		
	APPROVED	APPROVED S.FLICKINGER	14MAR06	SIZE B	DWG NUMBER 6651451	REV. A
	ACAD FILE NUMBER N:\ARCHIVE\CUDS\DRAWERS\499114B2	DWG SCALE 1=1	SH 3 OF 4			

This drawing involves proprietary design rights of ELCON PRODUCTS INT'L Co., and all design, manufacture, reproduction, use and sale rights regarding the same are expressly reserved. It is submitted for a specific purpose and the recipient by accepting this drawing, assumes custody and control and agrees to take reasonable precautions; (a) that this drawing will not be copied and reproduced, in whole or in part, or its contents revealed in any manner, or to any person except to meet the purpose for which it was delivered and (b) that any special features peculiar to this design will not be incorporated in other projects without the expressed written permission of ELCON PRODUCTS INTERNATIONAL CO.

REVISIONS		
ECO	REV	DESCRIPTION
		SEE SHEET 1
		DATE



← MM OR MM [INCH] INCH THIRD ANGLE PROJECTION UNLESS OTHERWISE SPECIFIED DIMENSIONS ARE IN MILLIMETERS [INCH] TOLERANCES ANGLES ± .5° DECIMALS .XX ± .25 [.010] .X ± .5 [.02]	DRAWN R.GRZYBOWSKI	DATE 14MAR06	 PRODUCTS INTERNATIONAL COMPANY P.O. Box 1885 Fremont, California 94538 TEL (510) 490-4200	
	CHECKED S.FLICKINGER	14MAR06		TITLE SUBASSEMBLY SOCKET CONNECTOR POWER CUSTOM DRAWER P5S0 DRAWER
	APPROVED	APPROVED S.FLICKINGER	14MAR06	SIZE B
	DCA APPROVED	ACAD FILE NUMBER 6651451A	DWG NUMBER 6651451	REV. A
			DWG SCALE 1=1 SH 4 OF 4	