

CLOUD IOT GATEWAY - IoT gateway



1031235

<https://www.phoenixcontact.com/pc/products/1031235>

Please be informed that the data shown in this PDF document is generated from our online catalog. Please find the complete data in the user documentation. Our general terms of use for downloads are valid.



Cloud IoT gateway for integrating new and existing systems without additional engineering costs. Through simple process connection using protocols such as Modbus/TCP, sensor and process data can be collected, processed, and monitored in Proficloud. It is not suitable for Proficloud.io.

Your advantages

- Secure transmission, thanks to TLS (Transport Layer Security) encryption
- Easy configuration, thanks to web-based management
- Dashboard for easy visualization of sensor and processor data
- Various protocols supported, e.g. Modbus/TCP
- Robust hardware for use in the industrial environment
- Direct connection to the Proficloud, the open IoT platform
- Compact housing

Commercial data

Item number	1031235
Packing unit	1 pc
Minimum order quantity	1 pc
Product key	DREDHA
Catalog page	Page 20 (C-6-2019)
GTIN	4055626534169
Weight per piece (including packing)	192.8 g
Weight per piece (excluding packing)	144.5 g
Customs tariff number	85176200
Country of origin	DE

1031235

<https://www.phoenixcontact.com/pc/products/1031235>

Technical data

Product properties

Type	Stand-Alone
Product type	Gateways/Proxies

System properties

Processor	Arm® Cortex®-A8 1x 600 MHz
IoT capability: PROFICLOUD	
IoT platform	PROFICLOUD
Supports cloud computing	yes

Electrical properties

Power consumption	typ. 5 W
Protective circuit	Polarity protection, surge protection
Transmission medium	Copper

Supply

Supply voltage (DC)	24 V DC -20 % / +15 %
Supply voltage range	18 V DC ... 30 V DC
Typical current consumption	200 mA

Real-time clock

Realtime clock	Yes
----------------	-----

Potentials

Supply voltage	24 V DC
----------------	---------

Connection data

COMBICON connector

Connection method	Push-in connection
Conductor cross section, rigid	0.2 mm² ... 1.5 mm²
Conductor cross section, flexible	0.2 mm² ... 1.5 mm²
Conductor cross section AWG	24 ... 16
Stripping length	8 mm

Interfaces

Web server	yes
------------	-----

RS-232

Connection method	COMBICON connectors
Transmission physics	Copper
No. of channels	1
Protocols supported	Modbus/RTU (Master)

CLOUD IOT GATEWAY - IoT gateway



1031235

<https://www.phoenixcontact.com/pc/products/1031235>

RS-485

Number of interfaces	1
Connection method	COMBICON connectors
Transmission physics	Copper
No. of channels	1
Protocols supported	Modbus/RTU

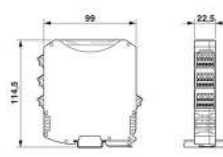
Ethernet

Number of interfaces	2
Connection method	RJ45
Transmission speed	100 Mbps
Transmission length	max. 100 m
Protocols supported	Modbus/TCP, HTTPS

Service

Number of interfaces	1
Connection method	USB type C
Note on the connection method	Female connector

Dimensions

Dimensional drawing	
Width	22.5 mm
Height	99 mm
Depth	114.5 mm

Material specifications

Color	gray
-------	------

Environmental and real-life conditions

Ambient conditions

Degree of protection	IP20 (per manufacturer's declaration)
Ambient temperature (operation)	-25 °C ... 55 °C up to 2000 m above mean sea level
Ambient temperature (storage/transport)	-25 °C ... 85 °C
Permissible humidity (operation)	30 % ... 95 % (according to DIN EN 61131-2)
Permissible humidity (storage/transport)	5 % ... 95 %
Shock (operation)	10g (Bump endurance test according to DIN EN 60068-2-27)
Air pressure (operation)	70 kPa ... 106 kPa (up to 3000 m above sea level)
Air pressure (storage/transport)	58 kPa ... 106 kPa (up to 4500 m above mean sea level)

EMC data

CLOUD IOT GATEWAY - IoT gateway



1031235

<https://www.phoenixcontact.com/pc/products/1031235>

Conformance with EMC directives	Immunity test in accordance with EN 61000-6-2/IEC 61000-6-2 Electrostatic discharge (ESD)EN 61000-4-2/IEC 61000-4-2 Criterion B, 6 kV contact discharge, 8 kV air discharge
	Immunity test in accordance with EN 61000-6-2/IEC 61000-6-2 Electromagnetic fieldsEN 61000-4-3/IEC 61000-4-3 Criterion A, Field intensity: 10 V/m
	Immunity test in accordance with EN 61000-6-2/IEC 61000-6-2 Fast transients (burst)EN 61000-4-4/IEC 61000-4-4 Criterion B, 2 kV
	Immunity test in accordance with EN 61000-6-2/IEC 61000-6-2 Transient overvoltage (surge)EN 61000-4-5/IEC 61000-4-5 Criterion B, DC supply lines: ± 0.5 kV/ ± 0.5 kV (symmetrical/asymmetrical), fieldbus cable shield: ± 1 kV
	Immunity test in accordance with EN 61000-6-2/IEC 61000-6-2 Conducted interferenceEN 61000-4-6/IEC 61000-4-6 Criterion A, Test voltage 10 V
	Noise emission test in accordance with EN 61000-6-3/IEC 61000-6-3 Class B
Electromagnetic compatibility	Conformance with EMC Directive 2014/30/EU

Mounting

Mounting type	DIN rail mounting
Connection method	Push-in connection

CLOUD IOT GATEWAY - IoT gateway

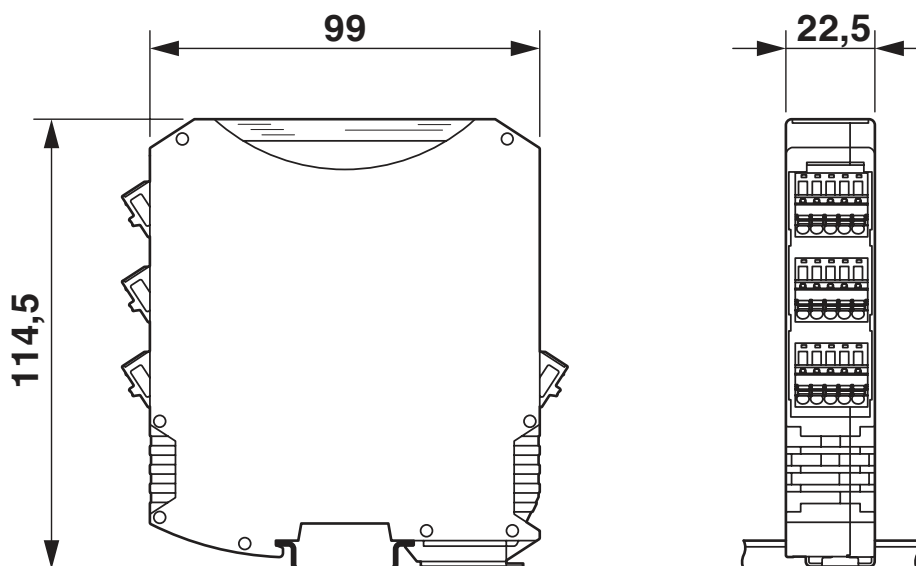
1031235

<https://www.phoenixcontact.com/pc/products/1031235>



Drawings

Dimensional drawing




CLOUD IOT GATEWAY - IoT gateway



1031235

<https://www.phoenixcontact.com/pc/products/1031235>

Approvals

 To download certificates, visit the product detail page: <https://www.phoenixcontact.com/pc/products/1031235>



UL Listed

Approval ID: FILE E 238705



cUL Listed

Approval ID: FILE E 238705

CLOUD IOT GATEWAY - IoT gateway



1031235

<https://www.phoenixcontact.com/pc/products/1031235>

Classifications

ECLASS

ECLASS-11.0

27242608

ETIM

ETIM 8.0

EC001604

UNSPSC

UNSPSC 21.0

32151600

CLOUD IOT GATEWAY - IoT gateway



1031235

<https://www.phoenixcontact.com/pc/products/1031235>

Environmental product compliance

China RoHS	Environmentally friendly use period: unlimited = EFUP-e
	No hazardous substances above threshold values

Phoenix Contact 2023 © - all rights reserved
<https://www.phoenixcontact.com>

PHOENIX CONTACT GmbH & Co. KG
Flachmarktstraße 8
D-32825 Blomberg
+49 (0) 5235-3 00
info@phoenixcontact.com