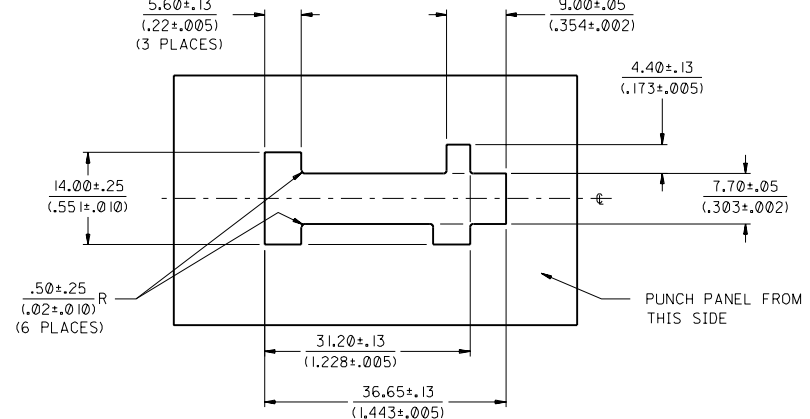
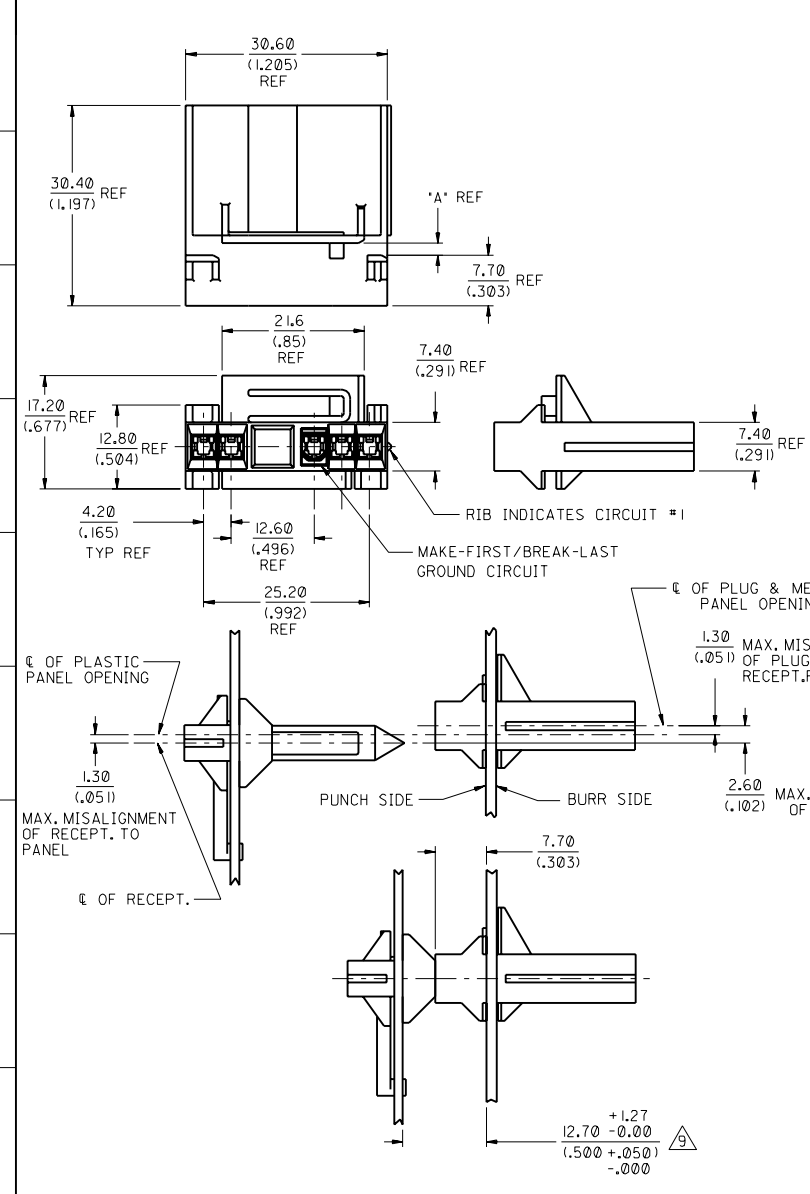
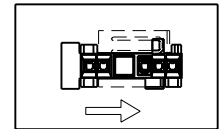
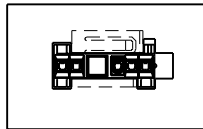


13	12	11	10	9	8	7	6	5	4	3	2	1	44157
MATERIAL NO.	HOUSING VERSION	"A" DIMENSION	PANEL THICKNESS	PANEL TYPE									
44157-0001	PANEL MOUNT PLUG	1.80/(.071)	$\frac{1.60 \pm .05}{(.063 \pm .002)}$	SHEET METAL									
44157-0002	PANEL MOUNT PLUG	1.40/(.055)	$\frac{1.20 \pm .03}{(.047 \pm .001)}$	SHEET METAL									

- NOTES:**
- MATERIAL: HOUSINGS: NYLON, UNFILLED, UL 94V-0. COLOR: NATURAL
TERMINAL: HIGH CURRENT COPPER ALLOY.
 - FINISH: OVERALL TIN PLATE.
 - PRODUCT SPEC.: NONE
 - DIMENSIONS GIVEN ACROSS C'S ARE SYMMETRICAL ABOUT THOSE C'S WITHIN HALF THE TOTAL TOLERANCE.
 - THIS PLUG IS DESIGNED TO BE USED WITH MALE TERMINAL 44478-**2**.
 - THIS PLUG IS DESIGNED TO MATE WITH FLOATING RECEPTACLE NO. 44156-0001.
 - THIS PLUG IS DESIGNED TO BE USED WITH VARIOUS PANEL THICKNESSES.
 - ASSEMBLIES ARE NOT TO BE MATED OR UNMATED WHILE CIRCUITS ARE LIVE.
 - A MAXIMUM TOLERANCE OF .120/(.050) ALLOWS FOR 2 POINTS OF CONTACT. A MAXIMUM TOLERANCE OF .51/(.020) ALLOWS FOR 4 POINTS OF CONTACT.
 - WIRES ARE TO BE DRESSED IN SUCH A MANNER TO ALLOW THE TERMINALS TO FLOAT FREELY INSIDE THE HOUSING POCKETS.



PANEL OPENING: FROM OUTSIDE THE BOX
RECOMMENDED PANEL THICKNESS: SEE TABLE



- INSERT PLUG THRU POLARIZED SLOTS FROM REAR OF PANEL.
- SLIDE TO RIGHT UNTIL LATCH ENGAGES SLOT IN PANEL.

PANEL MOUNTING INSTRUCTIONS
FULL SCALE

ADDED NOTE #10 EC NO. UCR 2001-1079 DRAWN: POLGAR 07/05/16 CHK: COMERCIAL 07/05/17 APPR: COMERCIAL 07/05/17	QUALITY SYMBOLS MAJOR CRITICAL	GENERAL TOLERANCES: (UNLESS SPECIFIED)		SCALE 2 : 1	DESIGN UNITS <input checked="" type="checkbox"/> mm <input type="checkbox"/> INCH	THIRD ANGLE PROJECTION	DIMENSIONS: <input checked="" type="checkbox"/> mm <input type="checkbox"/> INCH <input type="checkbox"/> ONLY		SHT	REV	
		4 PLACES ±0.--- ±.---	3 PLACES ±0.--- ±.---	2 PLACES ±0.--- ±.---	1 PLACE ±0.--- ±.---	DRAWN BY & DATE POLGAR 98/05/11		TITLE: B.M.I. PANEL MT. PLUG, 5.0/(.197) MIN. I.E.C. SPEC. MINI-FIT JR. SERIES			
		ANGULAR: ± -- °				CHECKED BY & DATE COMERCIAL 98/06/08		APPROVED BY & DATE COMERCIAL 98/06/08			
		DRAFT WHERE APPLICABLE MUST REMAIN WITHIN DIMENSIONS				CAD FILENAME		MATERIAL NO. SEE CHART		DRAWING NO. SD-44157-001	