

REV.	LOCAS.	DESCRIPTION	DATE	DRAWN
01	NEW	INITIAL RELEASE.	2009.07.20	車 激
02	△	變更CAP配方及圖號	2011.05.23	蒙華明
03	△	變更序號以及增加說明, 尺寸	2012.03.21	黃小燕
04	△	因產品不過板, 更改SMT角度(異常單號QA131018)	2013.10.29	吳才仙

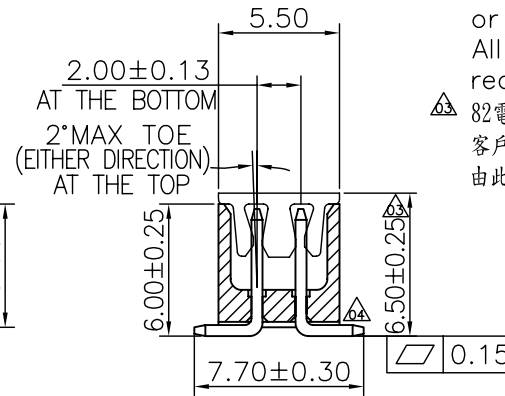
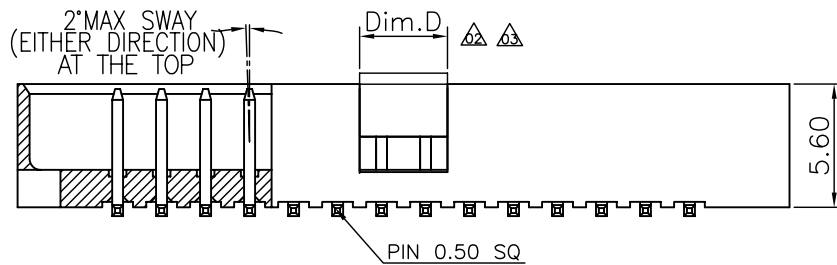
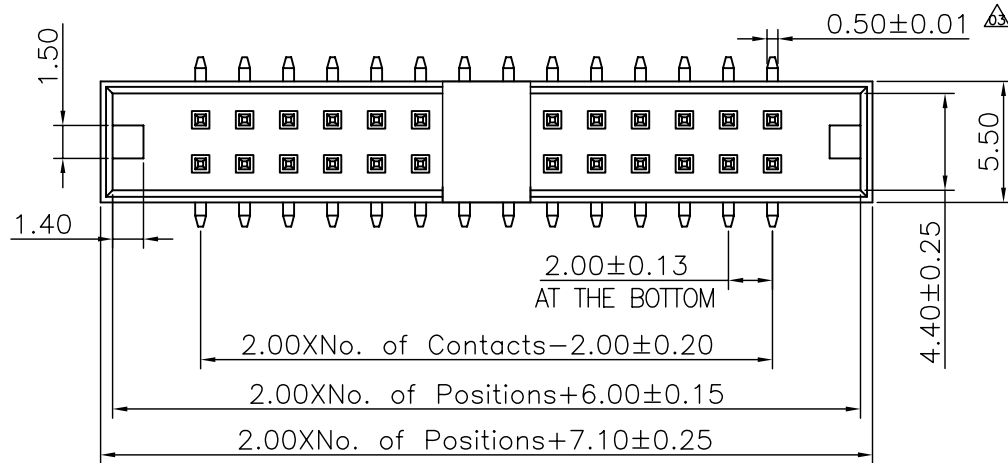
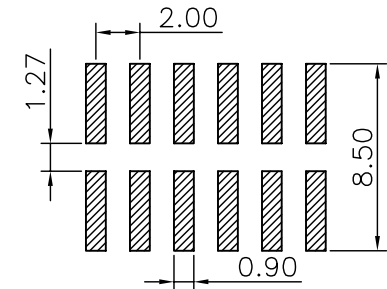
Specifications

Current Rating: 2Amp  
 Insulation Resistance: 1000MΩMin.  
 Dielectric Withstanding Voltage: 500VAC  
 Contact Resistance: 20mΩMax.  
 Operating Temperature: -40°C to +105°C  
 Materials  
 Contact Material: Brass  
 Insulator Material: High Temperature Thermoplastic, UL 94V-0 Nylon 6T(Halogen Free) or the equivalent material  
 All materials must meet Greenconn requirement for environment protection.

△ 82電鍍 (底鍍100~150u'', 鍍金1u'' 以上) 為NIPPON DICS CO., LTD 客戶定此產品所用電鍍, 有發生端子鍍金脫落漏銅或斷裂的可能性, 由此引的品質問題, 我司概不負責。

△ Dim.D	NOTE
5.00mm	04~08pins
8.16mm	09~25pins

Recommended P.C.Board Layout  
 (Tolerance: ±0.05)



Ordering Information

G PFC220 - XX XX A 001 R 1 B X

No. of Pins per Row 04~25  
 Standard Plating 02=Gold Flash  
 Selective Plating 01=Tin 05=Gold Flash/Tin  
 Color 1=Black  
 Standard Packing C=Tube  
 Selective Packing A=Box  
 E=CAP+Tube  
 F=CAP+Tape&Reel

格稜股份有限公司  
**Greenconn Corporation**

GENERAL TOLERANCE	
X' ± 5.0'	X ± 0.30
.X' ± 3.0'	.X ± 0.25
.XX' ± 2.0'	.XX ± 0.15
.XXX' ± 1.0'	.XXX ± 0.10

DESIGN: 吳才仙	DATE: 2013.10.29
CHECKED: 劉北平	DATE: 2013.10.29
AUDITED: 林萬輝	DATE: 2013.10.29
APPROVED: 李 輝	DATE: 2013.10.29

DWG. NO. △	GPFC220-CA1RB
PART NO.	
GPFC220-XXXX A001R1BX	

TITLE.  
 2.00 BOX HEADER  
 DUAL ROWS SMT TYPE  
 BASE 5.60H

REV.	UNIT.	SCALE.	PAGE.	④
04	mm	3:1	1/1	