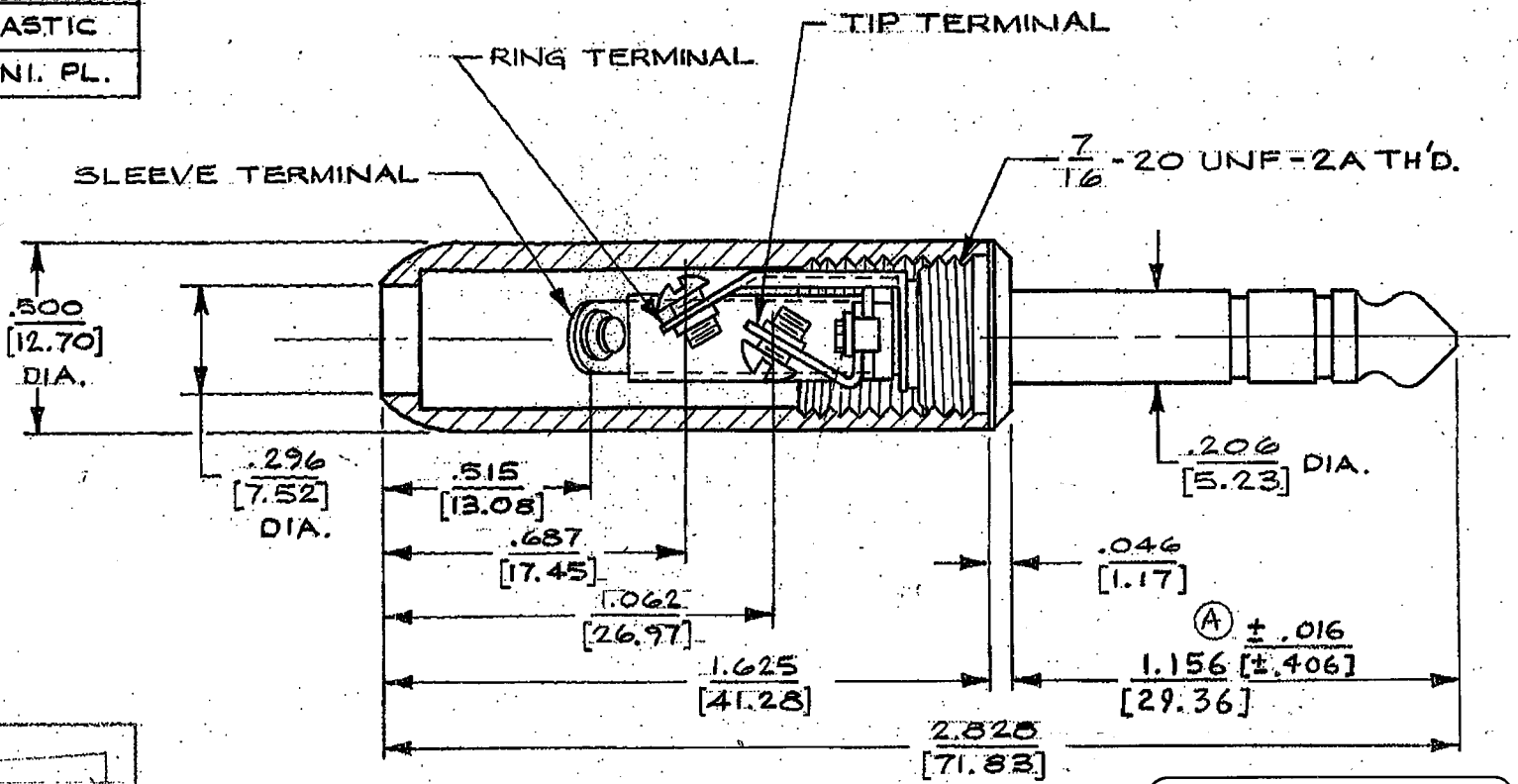


S- 260
290

PART NO.	HANDLE
S-260	BLK. PLASTIC
S-290	BRASS NI. PL.



CUSTOMER DRAWING

INCH (MM) THIRD ANGLE PROJECTION

★ STAR SYMBOL DENOTES CRITICAL DIMENSION, SEE S/C ENGINEERING STANDARD ES-0001.	SIZE	WIDTH	MULT.	LBS. PER M	TEMPER
---------------------------------------------------------------------------------	------	-------	-------	------------	--------

THIS DRAWING DESCRIBES A DESIGN CONSIDERED PROPRIETARY IN NATURE, DEVELOPED AND MANUFACTURED BY SWITCHCRAFT, INC., AND IS RELEASED ON A CONFIDENTIAL BASIS FOR IDENTIFICATION PURPOSE ONLY.

- UNLESS OTHERWISE SPECIFIED:
- 1- DECIMAL DIMENSIONS ± .005 [0.13]
 - 2- FRACTIONAL DIMENSIONS ± 1/64
 - 3- ANGLES ± 1/2° [0.38]
 - 4- ALL DIA'S CONCENTRIC WITHIN .005 T.I.R.
 - 5- ALL DIMENSIONS IN INCHES [0.13]
 - 6- FOR THREADS USE UNIFIED PLUG AND RING GAGES ONLY.
 - 7- REMOVE ALL BURRS.
 - 8- PART TO BE FABRICATED AS SPECIFIED. MAKE NO DIMENSIONAL ALLOWANCES FOR APPLIED FINISHES, I.E., PLATING, PAINTING, ETC.
 - 9- HOLES ON SAME CENTERLINE MUST BE ALIGNED WITHIN ± .002 [0.05]
- DO NOT SCALE DRAWING

DRAWN BY <i>BS</i>	DATE 14 JUNE 78	FINISH
CHECKED BY <i>AN</i>	DATE 28 JUNE 78	PER FINISH SPEC. NO.
APPROVED BY <i>CK</i>	DATE 6-29-78	MATERIAL
SCALE 1/1		PER MAT. SPEC. NO.
FIRST USED ON	SWITCHCRAFT	
NAME 3 CONDUCTOR LITTEL PLUG .206 [5.23] DIA.	PART NO. 260 S-290	ISSUE C
	SHEET 1 OF 1	

ISS	SYM	REVISION	BY	DATE
2		REDRAWN & ADDED METRIC DIM'S.	<i>BS</i>	14 JUNE 78
3	A	± .016 TOL. ADDED R. Q. 10-25 E.C.O. # 12419	<i>RQ</i>	10-25-84
4	A	ADDED NOTE 4 PER 19676 E.C.O. # 23176	<i>PER</i>	05/19/86
5	A	CHANGED NOTE 4 PER 13889 E.C.O. # 13889	<i>PER</i>	09/03/87
A		E.C.O. # 15724	<i>EB</i>	11/31/90
B		E.C.O. # 19676	<i>TD</i>	8-26-92
C		20627	<i>TD</i>	6-12-92

ROUTING (12) (16) (46)