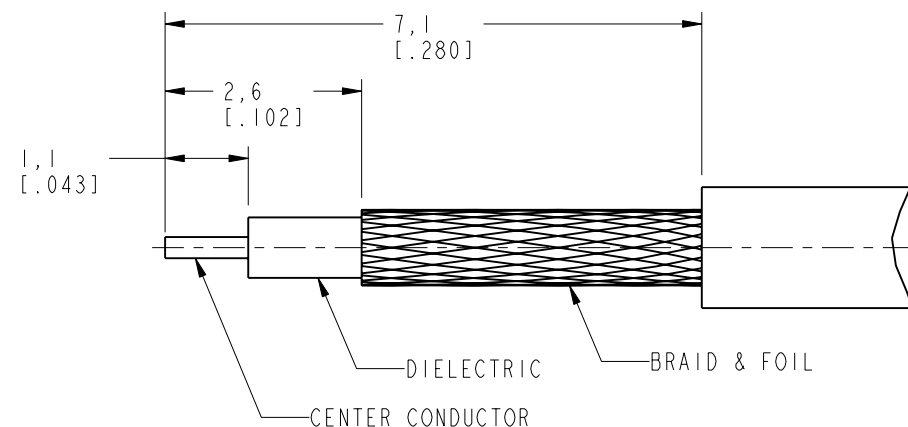


NOTES:

1. MATERIALS AND FINISHES:  
 BODY CONTACT - BeCu, GOLD PLATING  
 REAR BODY COVER - BRASS, NICKEL PLATING  
 INSULATOR - PTFE, NATURAL
2. ELECTRICAL:  
 A. IMPEDANCE: 50 OHM  
 B. FREQUENCY RANGE: DC - 6 GHz  
 C. VSWR: 1.25:1 MAX DC - 6 GHz
3. MECHANICAL:  
 A. DURABILITY: 500 CYCLES MIN.  
 B. TEMPERATURE RANGE: -65°C TO +165°C
4. PACKAGING:  
 A. QUANTITY: SINGLE PACK  
 B. MARKING: BAG TO BE MARKED  
 "AMPHENOL RF, 925-128C-51A, AND DATE CODE"
5. CABLE ASSEMBLY INSTRUCTIONS:  
 A. TRIM CABLE AS SHOWN.  
 B. SLIDE FERRULE ONTO CABLE  
 C. INSERT CABLE WITH FOIL ENTERING CONNECTOR  
 AND BRAID OVER KNURL  
 D. SOLDER CONTACT TO CABLE CENTER CONDUCTOR  
 E. CRIMP FERRULE WITH 0.128" HEX.  
 F. PRESS CAP FLUSH.

6 SHOWS CABLE ENTRY DIMENSIONS

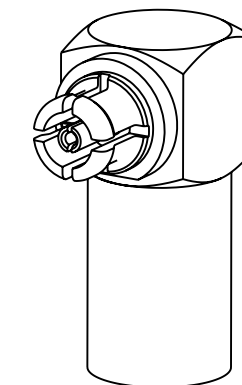
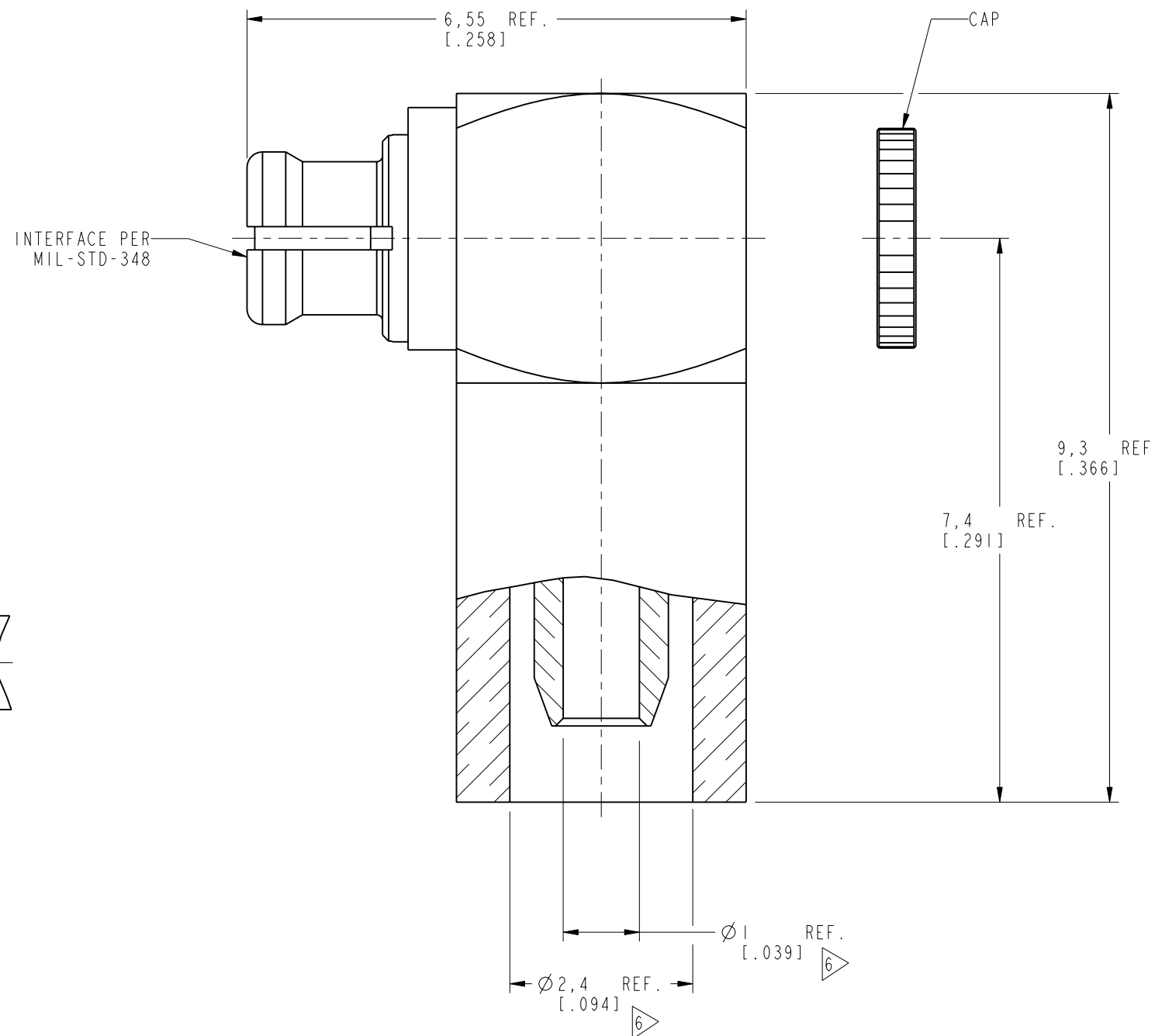


**RECOMMENDED CABLE STRIPPING DIMENSIONS**

THIRD ANGLE PROJ.

REVISIONS

REV	DESCRIPTION	DATE	ECO	APPR
A	RELEASE TO MFG.	28-Jun-16	00941	MM



SCALE 5.000

**CUSTOMER OUTLINE DRAWING**

ALL OTHER SHEETS ARE FOR INTERNAL USE ONLY

UNLESS OTHERWISE SPECIFIED, DIMENSIONS ARE IN METRIC AND TOLERANCES ARE: <0.5mm ±0.05mm    0.5 - 6mm ±0.1mm    6 - 30mm ±0.2mm    30 - 120mm ±0.3mm    ANGLES ±1°	MATERIAL	DRAWN	DATE	TITLE SMPM R/A PLUG FOR RG-178/CXN3404	Amphenol RF www.amphenolrf.com
	SEE NOTES	STAR	28-Jun-16		
NOTICE - These drawings, specifications, or other data (1) are, and remain the property of Amphenol corp. (2) must be returned upon request; and (3) are confidential and not to be disclosed to any person other than those to whom they are given by Amphenol Corp. the furnishing of these drawings, specifications, or other data by Amphenol Corp., or to any other person to anyone for any purpose is not to be regarded by implication or otherwise in any manner licensing, granting rights to permitting such holder or any other person to manufacture, use or sell any product, process or design, patented or otherwise, that may in any way be related to or disclosed by said drawings, specifications, or other data.	REFERENCE	ENGINEER	DATE	SCALE: 13.0:1.0	SHEET 2 OF 2
	EAR # 5420	SUNDE	28-Jun-16	DWG SIZE	REV
	CONFIGURATION LEVEL: In Work	APPROVED	DATE	B	A
FINISH		S. HSIEH	28-Jun-16		
		CAD FILE			
					DRAWING NO. 925-128C-51A
					ITEM NO. 925-128C-51A
					PART NO. 925-128C-51A