

5406874-1 ✓ ACTIVE



CHAMP

TE Internal #: 5406874-1

PCB D-Sub Connectors, Receptacle, Board-to-Board, 50 Position,
2.16 mm [.085 in] Centerline, 2 Row, Low Profile, Vertical, PCB
Mount Retention

[View on TE.com >](#)

Connectors > D-Shaped Connectors > D-Sub Connectors > PCB D-Sub Connectors



Connector & Housing Type: **Receptacle**

Connector System: **Board-to-Board**

Number of Positions: **50**

Centerline (Pitch): **2.16 mm [.085 in]**

Number of Rows: **2**

Features

Product Type Features

Connector & Housing Type	Receptacle
Connector System	Board-to-Board
Connector & Contact Terminates To	Printed Circuit Board

Configuration Features

Number of Positions	50
Number of Rows	2
PCB Mount Orientation	Vertical

Body Features

Assembly Process Feature Material	Copper Alloy
Shield Plating Material	Nickel
Shield Material	Carbon Steel
Primary Product Color	Black
Connector Profile	Low

Contact Features



Contact Mating Area Plating Material Thickness	.76 μ m
Contact Mating Area Plating Material	Gold
PCB Contact Termination Area Plating Material	Tin
Contact Base Material	Copper Alloy

Termination Features

Rectangular Termination Post & Tail Thickness	.48 mm[.018 in]
Rectangular Termination Post & Tail Width	.6 mm[.023 in]
Termination Post & Tail Length	3.68 mm[.145 in]
Termination Method to Printed Circuit Board	Through Hole - Solder

Mechanical Attachment

Assembly Process Feature Plating Material	Tin over Nickel
Panel Attachment Style	Rear Mount
Mounting Hole Diameter	3.25 mm[.128 in]
PCB Mount Retention	With
PCB Mount Retention Type	Boardlock
Mating Retention	With
Mating Retention Type	Bail Lock
Connector Mounting Type	Panel Mount

Housing Features

Housing Material	Polyester
Centerline (Pitch)	2.16 mm[.085 in]

Dimensions

Row-to-Row Spacing	4.06 mm[.16 in]
--------------------	-----------------

Operation/Application

Shielded	Yes
Circuit Application	Signal

Packaging Features

Packaging Quantity	7
Packaging Method	Tray

Product Compliance

[For compliance documentation, visit the product page on TE.com>](#)

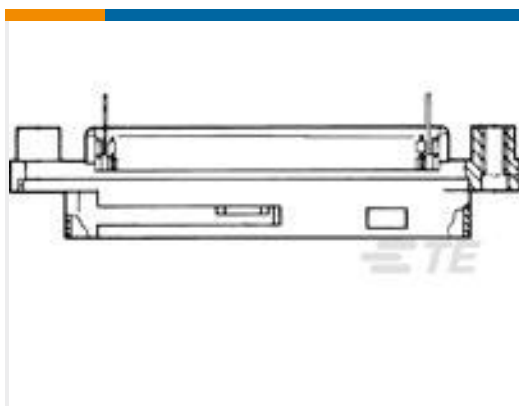


EU RoHS Directive 2011/65/EU	Compliant
EU ELV Directive 2000/53/EC	Compliant
China RoHS 2 Directive MIIT Order No 32, 2016	No Restricted Materials Above Threshold
EU REACH Regulation (EC) No. 1907/2006	Current ECHA Candidate List: JUNE 2023 (235) Candidate List Declared Against: JAN 2022 (223) Does not contain REACH SVHC
Halogen Content	Not Low Halogen - contains Br or Cl > 900 ppm.
Solder Process Capability	Wave solder capable to 265°C

Product Compliance Disclaimer

This information is provided based on reasonable inquiry of our suppliers and represents our current actual knowledge based on the information they provided. This information is subject to change. The part numbers that TE has identified as EU RoHS compliant have a maximum concentration of 0.1% by weight in homogenous materials for lead, hexavalent chromium, mercury, PBB, PBDE, DBP, BBP, DEHP, DIBP, and 0.01% for cadmium, or qualify for an exemption to these limits as defined in the Annexes of Directive 2011/65/EU (RoHS2). Finished electrical and electronic equipment products will be CE marked as required by Directive 2011/65/EU. Components may not be CE marked. Additionally, the part numbers that TE has identified as EU ELV compliant have a maximum concentration of 0.1% by weight in homogenous materials for lead, hexavalent chromium, and mercury, and 0.01% for cadmium, or qualify for an exemption to these limits as defined in the Annexes of Directive 2000/53/EC (ELV). Regarding the REACH Regulation, the information TE provides on SVHC in articles for this part number is based on the latest European Chemicals Agency (ECHA) 'Guidance on requirements for substances in articles' posted at this URL: <https://echa.europa.eu/guidance-documents/guidance-on-reach>

Compatible Parts



TE Part # 5552243-1
ASSY, PLUG, 64 POS, VERT MTG

Customers Also Bought



TE Part #3-1461491-6
PCN-124D3MHZ,000



TE Part #1825057-5
ADE0604=DIP SWITCH,EXT,THRU/HL



TE Part #1969730-6
EP2.5 SHROUDED HDR ASSY 6P VERTICAL



TE Part #1-1393793-4
V23105A5477A201



Documents

Product Drawings

[ASSY,RCPT,50POS,SHD,LPF,V/MTG](#)

English

CAD Files

Customer View Model

[ENG_CVM_CVM_5406874-1_O.2d_dxf.zip](#)

English

[3D PDF](#)

3D

Customer View Model

[ENG_CVM_CVM_5406874-1_O.3d_igs.zip](#)

English

Customer View Model

[ENG_CVM_CVM_5406874-1_O.3d_stp.zip](#)

English

By downloading the CAD file I accept and agree to the [Terms and Conditions](#) of use.