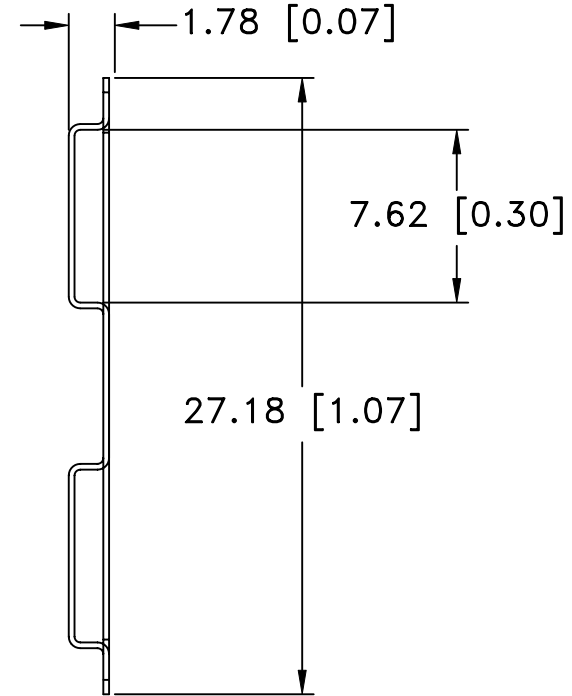
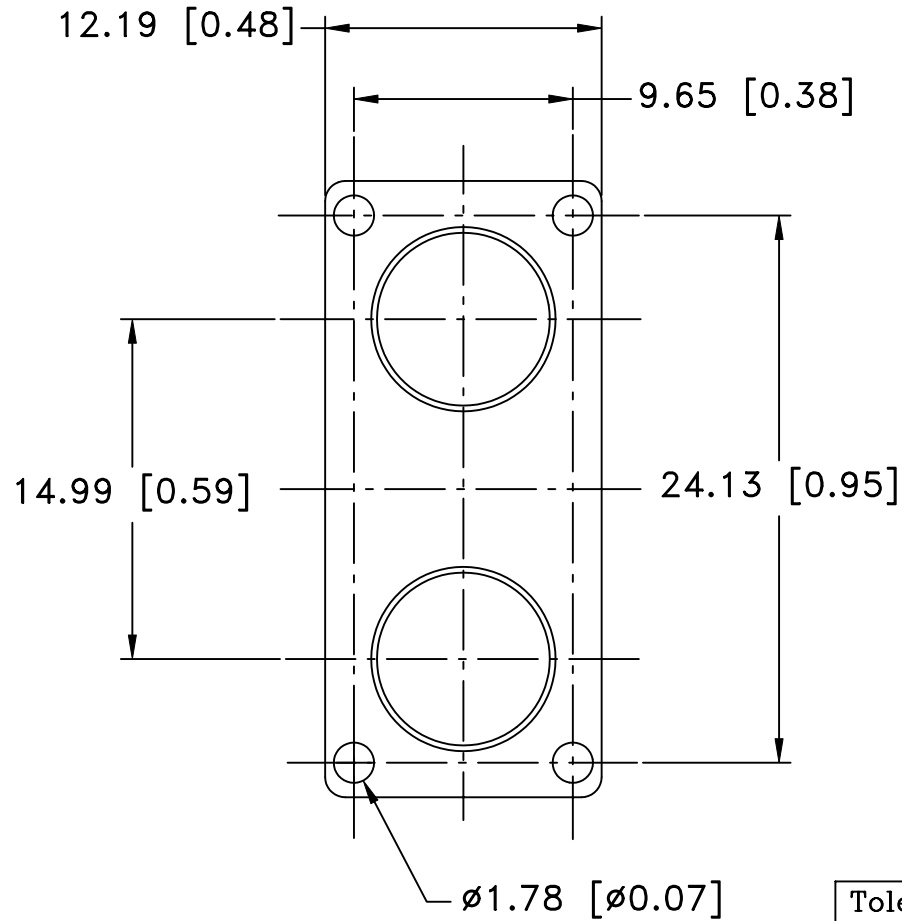



Date	SYM	REVISION RECORD	AUTH	DR.	CK.
01/31/04	A	MATERIAL WAS HARD DRAWN STEEL	T.B.	B.S.	



**NOTES:**

1. MATERIAL: STEEL, 0.25mm [0.010"] THICK.
2. COATING: COPPER FLASH COATED.
3. FINISH: NICKLE PLTD.

Tolerance (Except as noted)	 <b>Memory Protection Devices, Inc</b> 200 Broad Hollow Road, Farmingdale, New York 11735	
decimal $\pm .5 (.020)$	Scale	Drawn By B.S. Approved By T.B.
Fractional $\pm .8 (.030)$	Title "AAA" CONTACT	
Angular $\pm 3^\circ$	Date 01/31/04	Drawing Number SNT7-06A