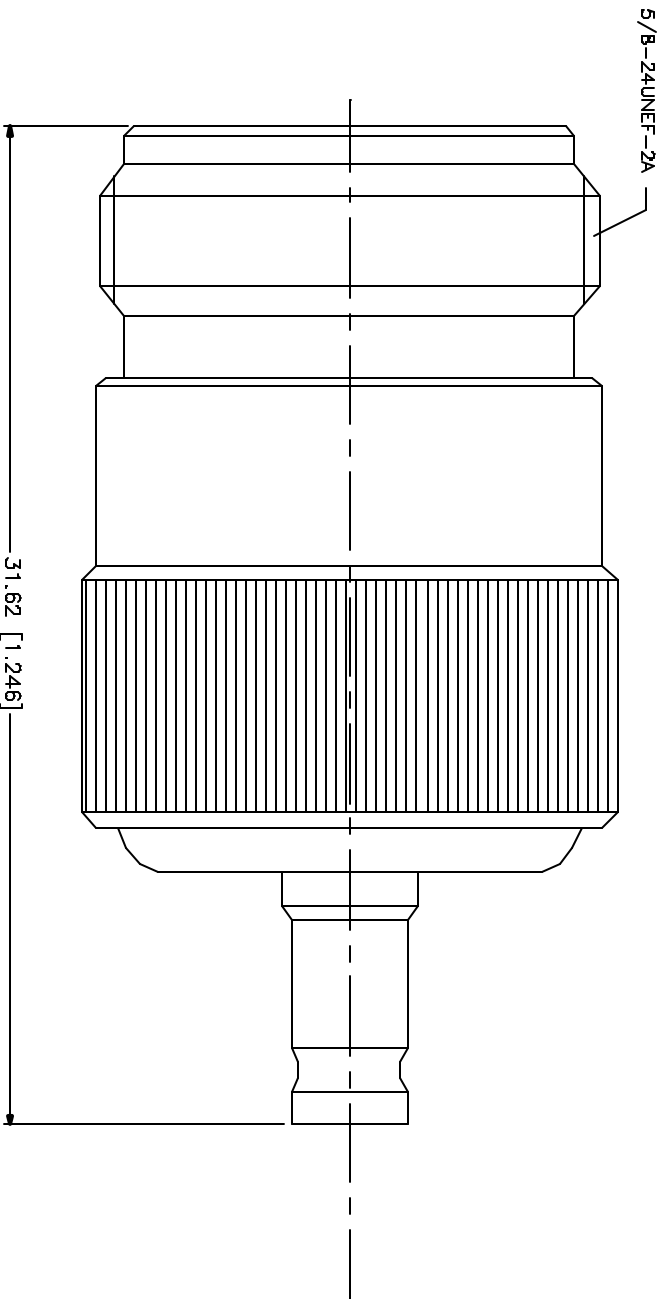


REV.	DATE	DESCRIPTION
NC	03/27/05	INITIAL RELEASE



REV	DESCRIPTION	MATERIAL	FINISH	QTY	UNLESS OTHERWISE SPECIFIED DIMENSIONS ARE IN INCH AND FOR DECIMALS ROUND UP.	APPROVALS	DATE	PART DESCRIPTION
8					UNLESS OTHERWISE SPECIFIED DIMENSIONS ARE IN INCH AND FOR DECIMALS ROUND UP. UNLESS OTHERWISE SPECIFIED TOLERANCES PER MILITARY ARE: D15 - Binn ± 0.20mm 8 - 30mm ± 0.40mm 30 - 120mm ± 0.50mm UNLESS OTHERWISE SPECIFIED DIMENSIONS FOR INCH ARE: .020 - .315 = ± 0.0007" .315 - 1.180 = ± 0.015" 1.180 - 4.724 = ± 0.020"			
7								
6								
5								
4								
3	CONTACT PIN	PHOS. BRONZE	GOLD	1				
2	INSULATOR	TEFLON	NATURAL	1				
1	BODY	BRASS	NICKEL	1				
	DESCRIPTION	MATERIAL	FINISH	QTY	DO NOT SCALE DRAWINGS			
						APPROVALS DRAWN G.R.S. 03/27/05 CHECKED ISSUED SHEET 1 OF 1		Amphenol Connex PART DESCRIPTION N JACK TO 1.0/2.3 JACK ADAPTER PART NO. 242218
						DWG. NO. 242218.DWG REV. NC SIZE A SCALE NA		