

NOTES:

1. MATERIAL:

HOUSING: LIQUID CRYSTAL POLYMER (LCP), GLAS-FILLED, UL 94V-0,

COLOR: BLASK

TERMINALS: BRASS

2. FINISH:

TERMINAL: 0.76 MICROMETERS/30 MICROINCHES MINIMUM SELECTIVE GOLD

IN CONTACT AREA; 1.27 MICROMETERS/50 MICROINCHES MINIMUM

SELECTIVE TIN IN THE PC TAIL AREA; NICKEL UNDERPLATE OVERALL

3. ASSEMBLY MATES WITH MOLEX P/N SDA-71660-****

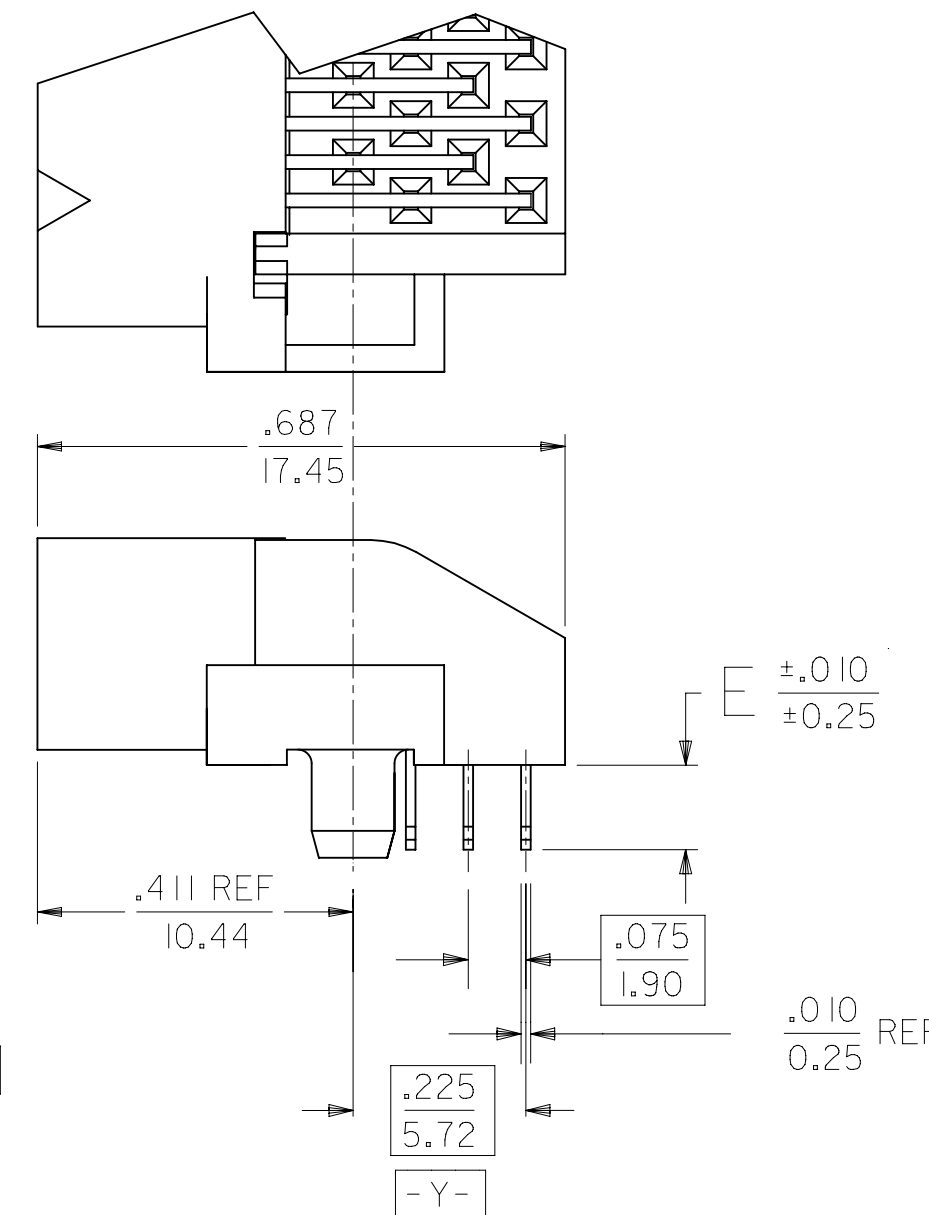
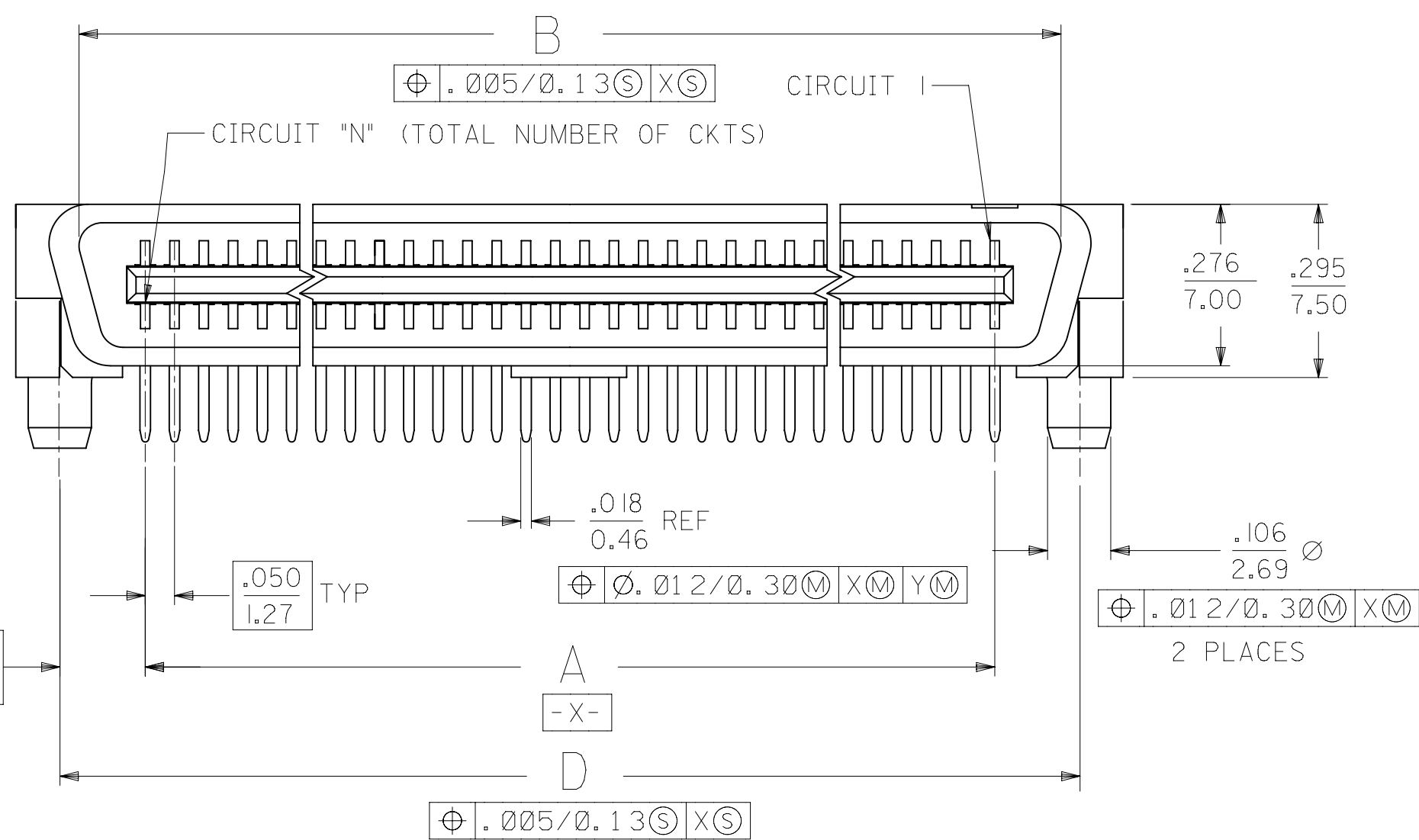
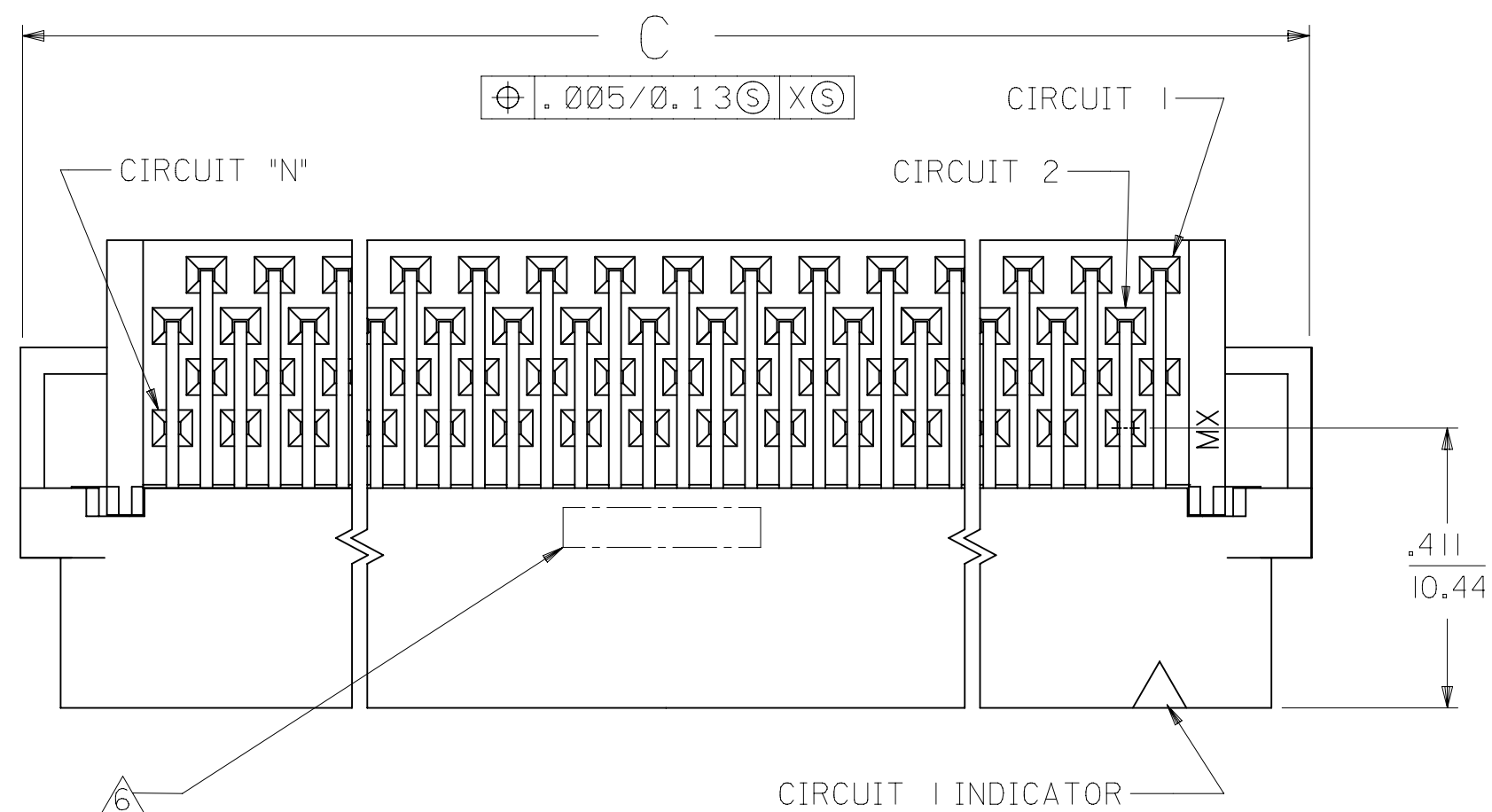
4. CONFORMS TO PRODUCT SPEC: PS-71660

5. RECOMMENDED PC BOARD THICKNESS IS .062/1.60

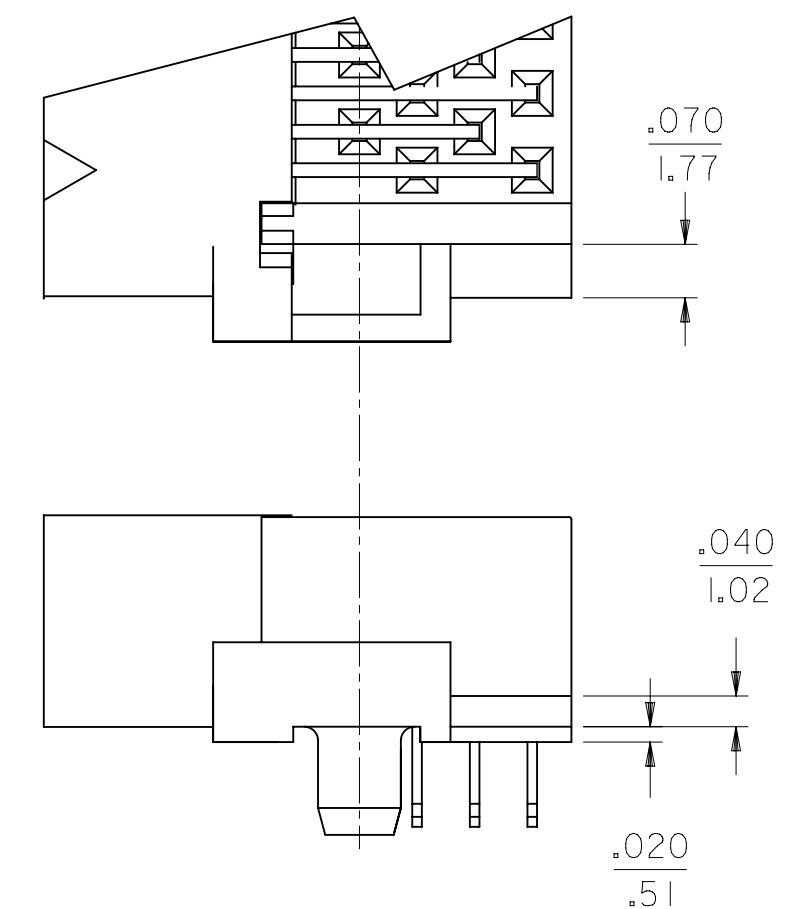
6. FOUR DIGIT DATE CODE (WK, YR) EXAMPLE 26 96 LOCATED IN AREA SHOWN

7. TOOLING STATUS: "X" INDICATES NO TOOLING AVAILABLE

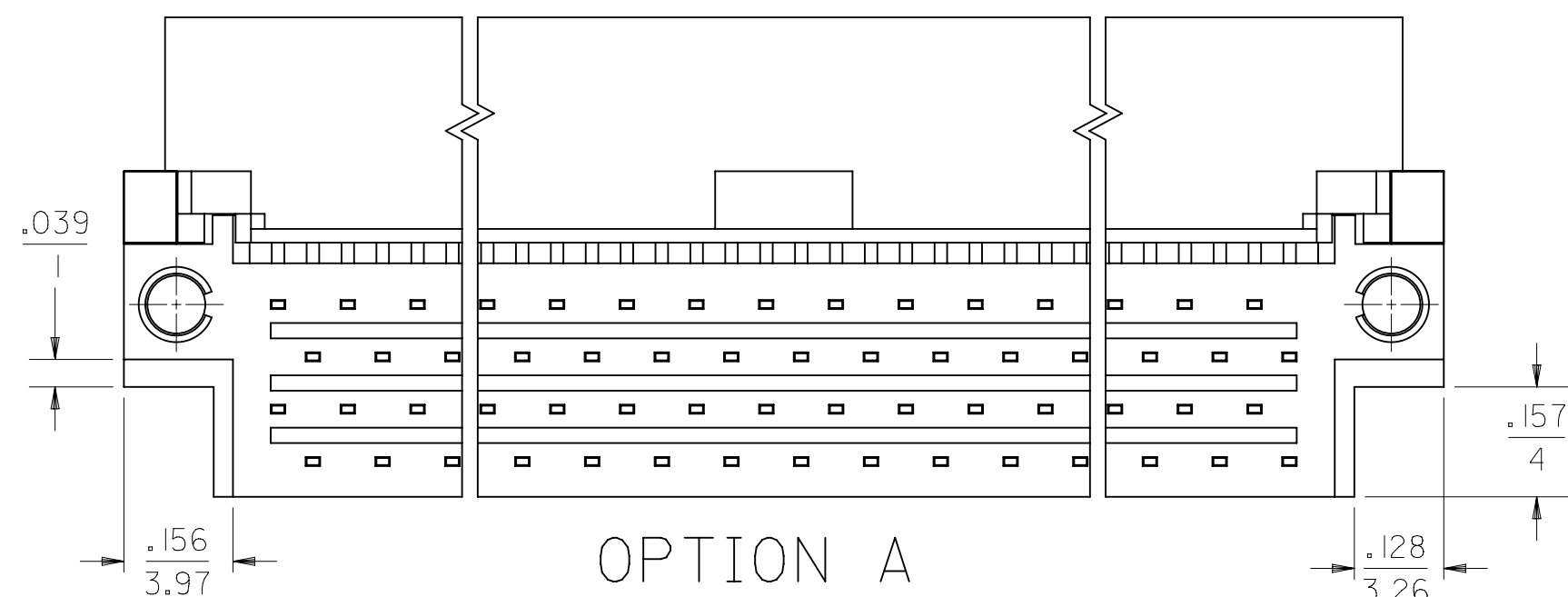
CONTACT FACTORY FOR FURTHER INFORMATION



END DETAIL
OPTION A
(BOTH ENDS)



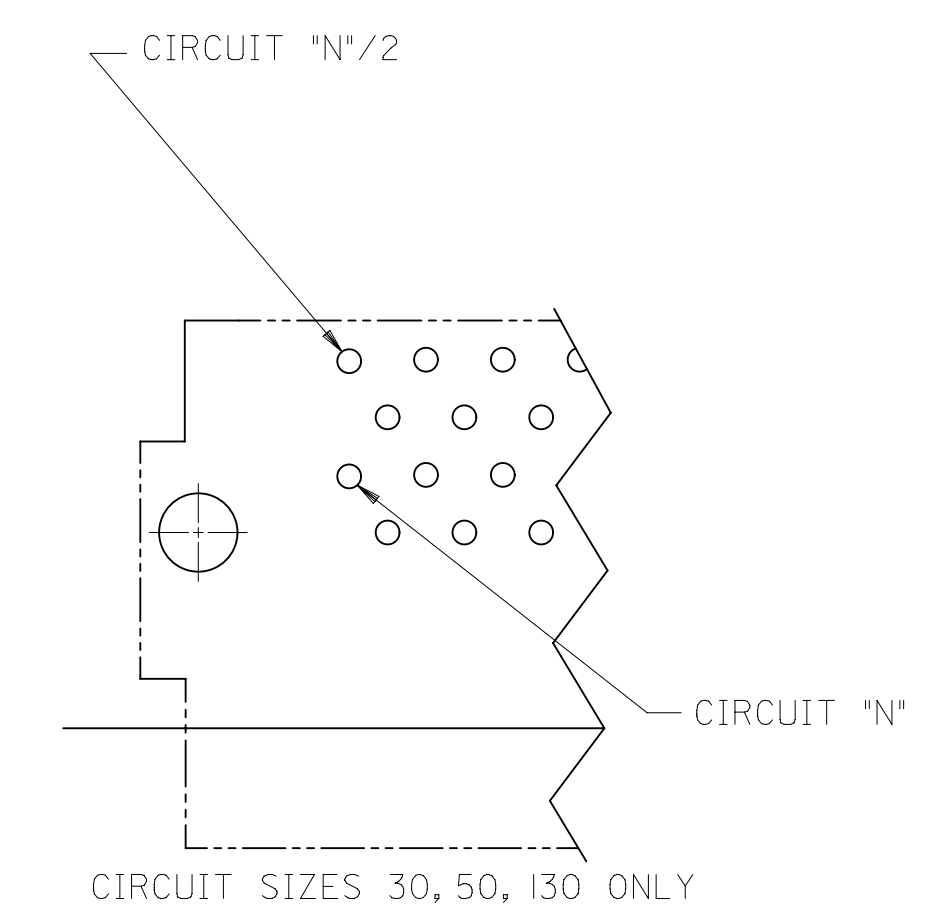
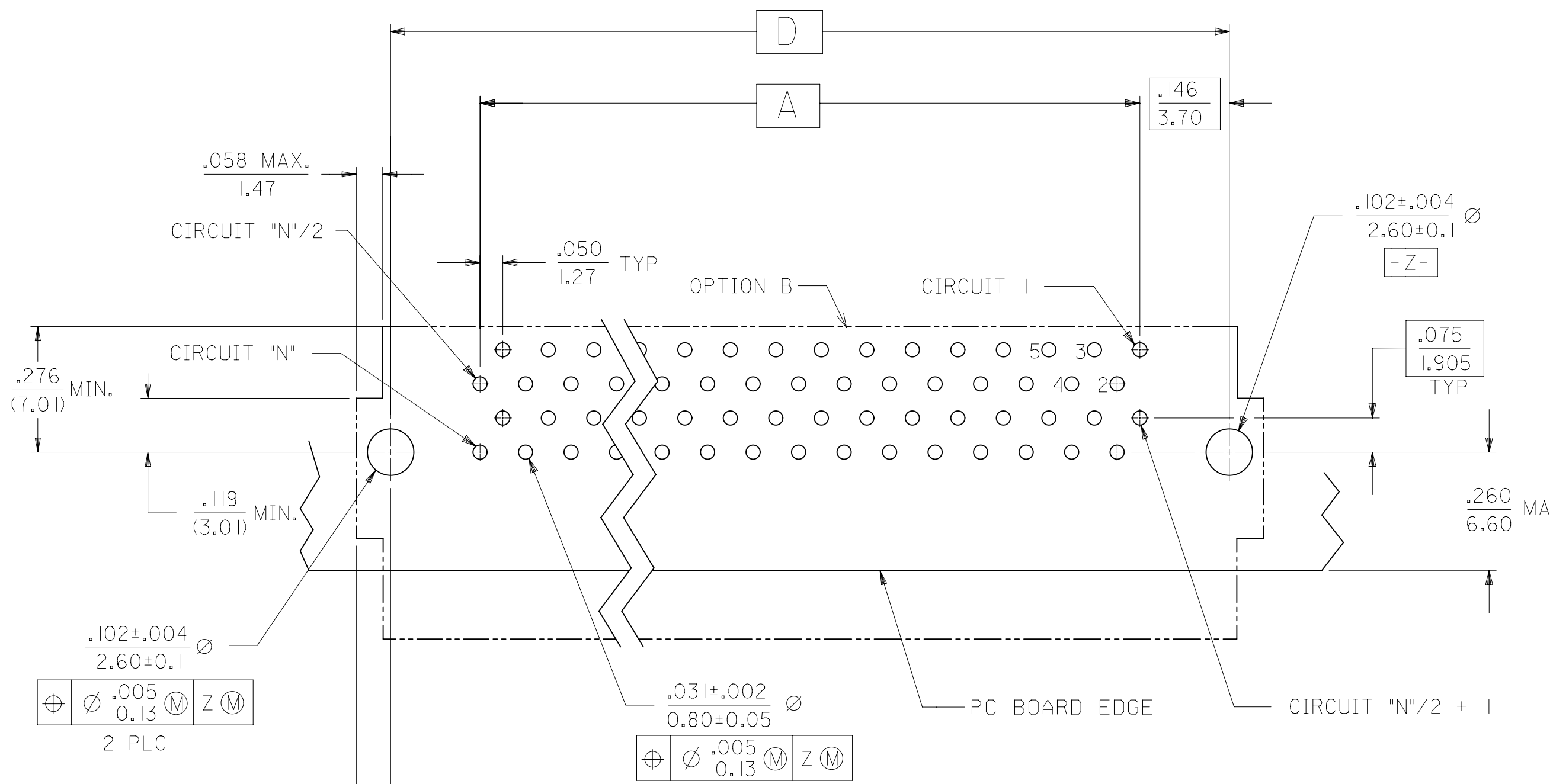
END DETAIL
OPTION B
(BOTH ENDS)



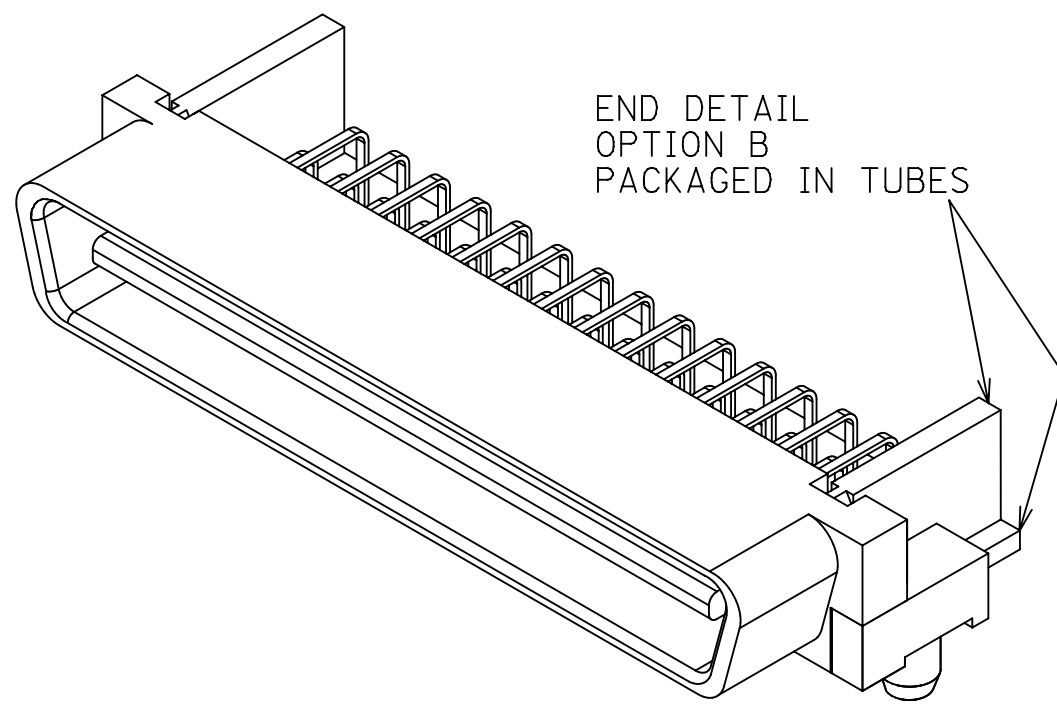
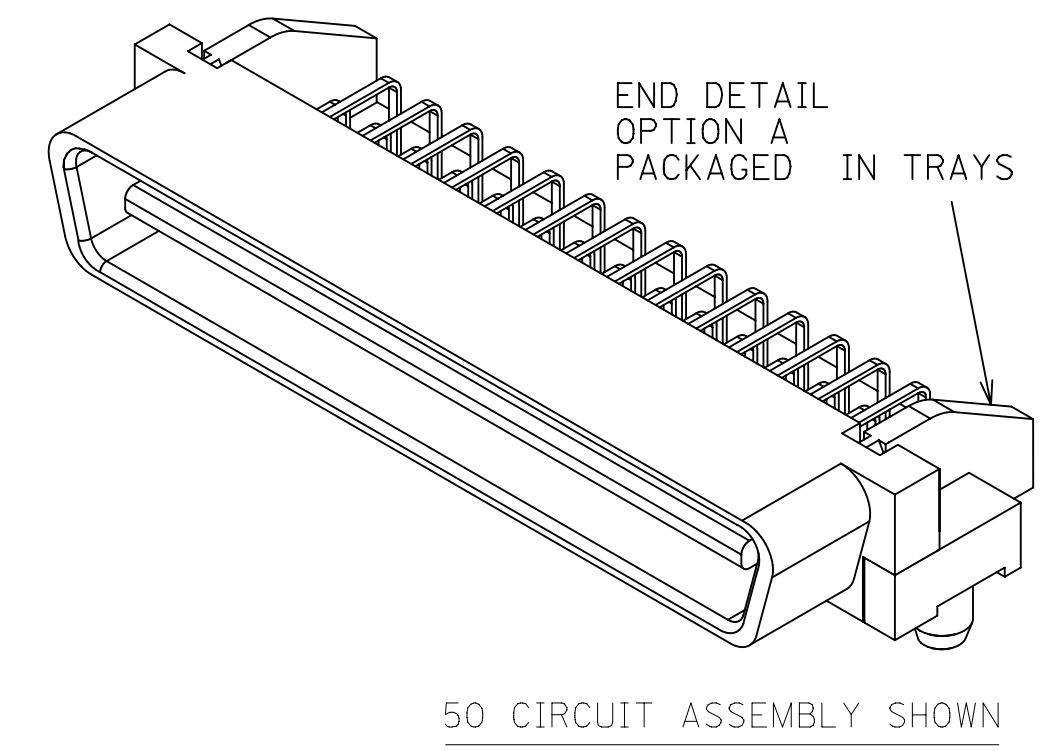
OPTION A

THIS DRAWING CONTAINS INFORMATION THAT IS PROPRIETARY TO MOLEX ELECTRONIC TECHNOLOGIES, LLC AND SHOULD NOT BE USED WITHOUT WRITTEN PERMISSION

DIMENSION UNITS		SCALE		CURRENT REV DESC: OBSOLETE PART NUMBER							
IN/MM		4:1									
GENERAL TOLERANCES (UNLESS SPECIFIED)						SALES ASSEMBLY EBBI 50D RIGHT ANGLE PLUG CONNECTOR					
		MM	INCH	EC NO: 644856		PRODUCT CUSTOMER DRAWING					
4 PLACES	±			DRWN: RPRABHUM		DOCUMENT NUMBER					
3 PLACES	±		± 0.01	CHK'D: GGA		SDA-71661-2XXX					
2 PLACES	±	0.25		APPR: GGA		DOC TYPE DOC PART REVISION					
1 PLACE	±			INITIAL REVISION:		PSD 001 R					
0 PLACES	±			DRWN: RAN		MATERIAL NUMBER					
ANGULAR TOL		± 0.5°		APPR: CAB		CUSTOMER					
DRAFT WHERE APPLICABLE MUST REMAIN WITHIN DIMENSIONS				THIRD ANGLE PROJECTION		DRAWING		SERIES		SHEET NUMBER	
				C-SIZE		71661		SEE TABLE		GENERAL MARKET	
										1 OF 2	



RECOMMENDED PC BOARD LAYOUT **COMPONENT SIDE**



TRAY PACK
PER SPEC.
PK-70873-084*

END DETAIL
OPTION "A"

.110 (2.79)	2.741 (69.63)	2.892 (73.45)	2.676 (67.97)	2.450 (62.23)	100	71661-2100
	1.941 (49.31)	2.092 (53.13)	1.875 (47.65)	1.650 (41.91)	68	71661-2068
	1.491 (37.88)	1.642 (41.70)	1.426 (36.22)	1.200 (30.48)	50	71661-2050
	1.241 (31.53)	1.392 (35.35)	1.176 (29.87)	.950 (24.13)	40	71661-2040
	.991 (25.18)	1.142 (29.00)	.925 (23.52)	.700 (17.78)	30	71661-2030
E	D	C	B	A	CKT ("N")	ITEM NUMBER

THIS DRAWING CONTAINS INFORMATION THAT IS PROPRIETARY TO MOLEX ELECTRONIC TECHNOLOGIES, LLC AND SHOULD NOT BE USED WITHOUT WRITTEN PERMISSION

DIMENSION UNITS IN/MM	SCALE 4:1	CURRENT REV DESC: OBSOLETE PART NUMBER		molex		
GENERAL TOLERANCES (UNLESS SPECIFIED)		EC NO: 644856				
4 PLACES	±	MM	INCH	DRWN: RPRABHUM	2020/07/15	PRODUCT CUSTOMER DRAWING
3 PLACES	±	± 0.01		CHK'D: GGA	2020/10/07	
2 PLACES	±	0.25	±	APPR: GGA	2020/10/07	DOCUMENT NUMBER
1 PLACE	±			INITIAL REVISION:		DOC TYPE
0 PLACES	±			DRWN: RAN	1993/02/23	DOC PART
ANGULAR TOL	± 0.5°			APPR: CAB	1993/02/23	REVISION
DRAFT WHERE APPLICABLE MUST REMAIN WITHIN DIMENSIONS		THIRD ANGLE PROJECTION	DRAWING	SERIES	MATERIAL NUMBER	CUSTOMER
			C-SIZE	71661	SEE TABLE	GENERAL MARKET
						SHEET NUMBER
						2 OF 2