



MICRO SWITCH
 FREEPORT ILLINOIS
 A DIVISION OF HONEYWELL
 FED. MFG. CODE 91929

SWITCH-BASIC

CATALOG LISTING

YZ-2RW863-A2

CATALOG LISTING
YZ-2RW863-A2
 PAGE 1 OF 1

M

DRAWING NUMBER

ISSUE

8

REPLACES

RELEASE NO.

CHECK

REVISIONS

A	CO16793	MMF	6 SEP 62
B	CO21125	OMW	5 MAY 66
C	CO61823	KAG	6 AUG 67
D	CO73287-J	JAL	22 NOV 93
E	CO77588	KDR	29 MAR 94
F	CO93346	DLT	22 SEP 98
G	0000770	CSL	8 JUL 03

CHECK

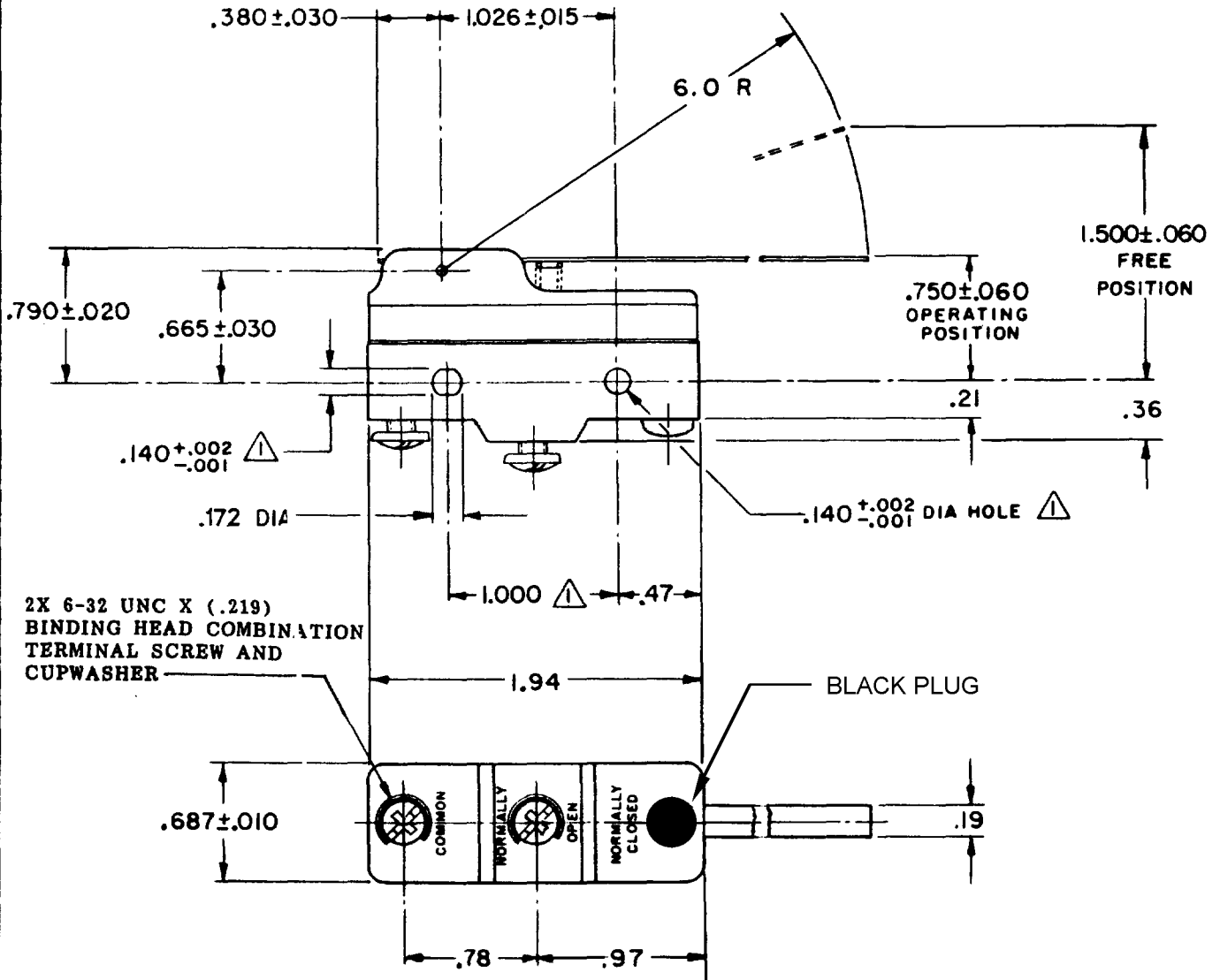
CHECK

CHECK

CHECK

CHECK

CHECK



NOTE
 MOUNTING HOLES WILL ACCEPT PINS OR SCREWS OF .139 MAX DIA ON 1.000±.002 CENTERS

THIS DRAWING COVERS A PROPRIETARY ITEM AND IS THE PROPERTY OF MICRO SWITCH, A DIVISION OF MINNEAPOLIS-HONEYWELL REGULATOR CO. THIS DRAWING IS NOT TO BE COPIED OR USED WITHOUT THE APPROVAL OF MICRO SWITCH.

CHARACTERISTICS	ELECTRICAL DATA	SCALE FULL
OPERATING FORCE — — — 1 OZ MAX	CONTACT ARRANGEMENT S P N O	DO NOT SCALE PRINT
DIFFERENTIAL TRAVEL — — — .018 — .145	L96 15A 125, 250 OR 480 VAC 1/2A 125 VDC, 1/4A 250 VDC 1/8HP 125 VAC, 1/4HP 250 VAC	UNLESS OTHERWISE SPECIFIED DIMENSIONS ARE IN INCHES TOLERANCES ARE:
OVERTRAVEL — — — .500 MIN	L288 L299 L306	ONE PLACE (.0) ±.030 TWO PLACE (.00) ±.015 THREE PLACE (.000) ±.005 ANGLES ±
	16A 250V T85 5E4	WEIGHT .073 LB

RASTER

FO-80378

DRAWN

CHECK

CHECK