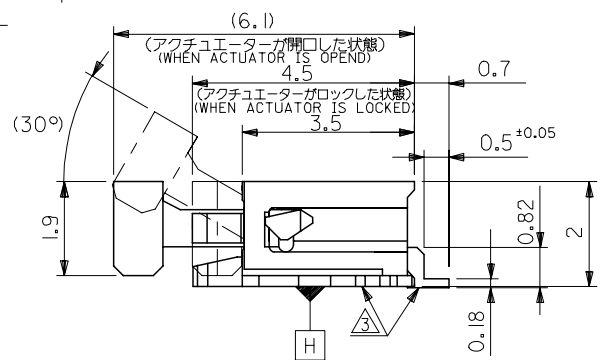
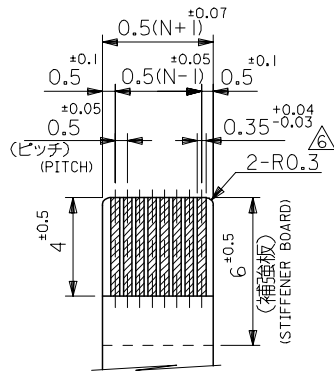


注記 NOTES

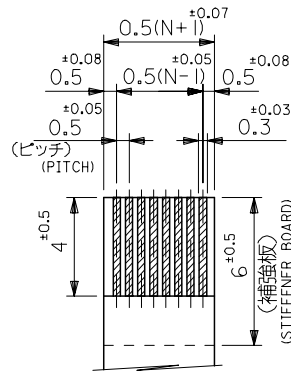
- 使用材料: MATERIAL  
 ハウジング: 46ナイロン, UL94V-0  
 HOUSING: 46NYLON  
 アクチュエータ: PPS, UL94V-0  
 ACTUATOR  
 ターミナル: リン青銅, 錫メッキ (t=0.2)  
 TERMINAL: PHOS-BRO.TIN-PLATED  
 金具: リン青銅, 錫メッキ (t=0.2)  
 FITTING NAIL: PHOS-BRO.TIN-PLATED
- エンボステープ梱包時は、アクチュエータがロックした状態とする。  
 IN THE PACKAGE, ACTUATOR OF PART NO.52437-\*\*-27 SHOULD BE LOCKED.
- ソルダーテール半田付け面のズレ量、及び金具半田付け面のズレ量は、基準面 H に対し上方向 0.1 MAX. , 下方向 0.15 MAX. とする。  
 MISALIGNMENT OF SOLDER TAILS AND FITTING NAILS FROM UPPER DIRECTION: 0.1 MAX. , LOWER DIRECTION: 0.15 MAX.
- 偶数極に適用。  
 APPLY FOR EVEN CIRCUIT.
- パターンはくり止め用金具。  
 FITTING NAIL FOR PREVENTION OF PEELING OF P.C.B. PATTERN.
- RO.3は、FPCの導体部にかからないこと。  
 RO.3 MUST NOT BE OVERLAPPED TO PATTERN OF FPC.
- ソルダーテールの平坦度は、0.1 MAXIMUM とする。  
 SOLDER TAIL COPLANARITY IS 0.1 MAXIMUM.



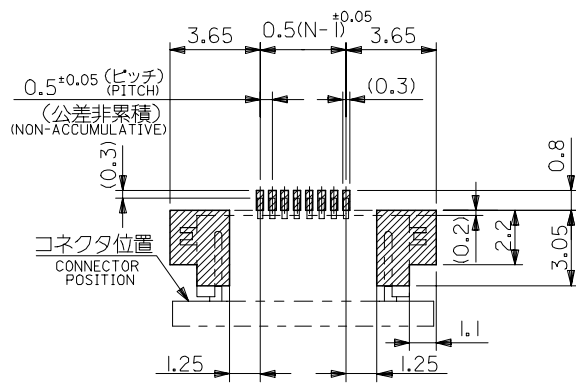
REVISED EC No: J2005-0980 DRAWN: NABE CHKD: KTOJO APPR: NUKITA 2004/10/01 2004/10/01 2004/10/12	GENERAL TOLERANCES (UNLESS SPECIFIED)		DIMENSION STYLE MM ONLY		SCALE ---	DESIGN UNITS METRIC	THIRD ANGLE PROJECTION
	10 UNDER	±0.2	DRAWN BY SKAJINUM	DATE '91/03/29	TITLE 0.5 FPC CONN ZIF FOR SMT R/A(BOTTOM CONTACT)		
	10 OVER 30 UNDER	±0.25	CHECKED BY MFUKUSHI	DATE '97/07/14			
	30 OVER	±0.3	APPROVED BY MFUKUSHI	DATE '97/07/14	MOLEX MOLEX INCORPORATED		
	ANGULAR	±3 °	MATERIAL NO.	DOCUMENT NO. SD-52437-**-27			
DRAFT WHERE APPLICABLE MUST REMAIN WITHIN DIMENSIONS		SIZE A3	THIS DRAWING CONTAINS INFORMATION THAT IS PROPRIETARY TO MOLEX INCORPORATED AND SHOULD NOT BE USED WITHOUT WRITTEN PERMISSION				



適合FPC推奨寸法  
APPLICABLE FPC  
RECOMMENDED DIMENSION.  
(仕上がり厚さ:  $0.3^{+0.05}$ )  
(THICKNESS:  $0.3^{+0.05}$ )



適合FFC推奨寸法  
APPLICABLE FFC  
RECOMMENDED DIMENSION.  
(仕上がり厚さ:  $0.3^{+0.05}$ )  
(THICKNESS:  $0.3^{+0.05}$ )



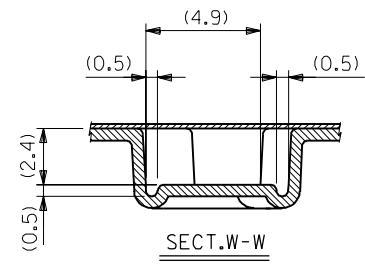
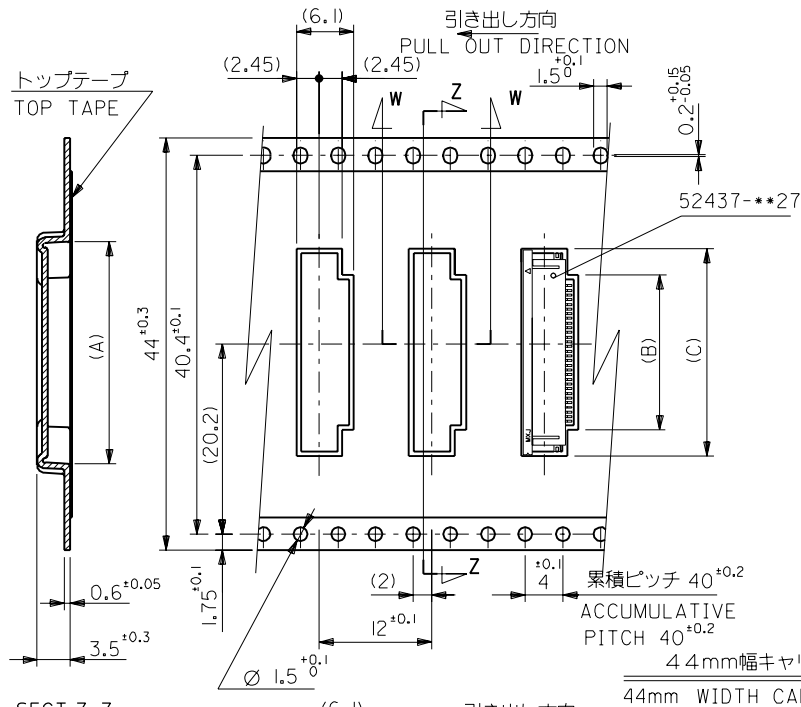
参考基板レイアウト  
(マウント面)  
RECOMMENDED P.C. BOARD  
PATTERN DIMENSION (REF.)  
(MOUNTING SIDE)

21.6	19.6	15.65	14.5	52437-3027	30
21.1	19.1	15.15	14.0	-2927	29
20.6	18.6	14.65	13.5	-2827	28
20.1	18.1	14.15	13.0	-2727	27
19.6	17.6	13.65	12.5	-2627	26
19.1	17.1	13.15	12.0	-2527	25
18.6	16.6	12.65	11.5	-2427	24
18.1	16.1	12.15	11.0	-2327	23
17.6	15.6	11.65	10.5	-2227	22
17.1	15.1	11.15	10.0	-2127	21
16.6	14.6	10.65	9.5	-2027	20
16.1	14.1	10.15	9.0	-1927	19
15.6	13.6	9.65	8.5	-1827	18
15.1	13.1	9.15	8.0	-1727	17
14.6	12.6	8.65	7.5	-1627	16
14.1	12.1	8.15	7.0	-1527	15
13.6	11.6	7.65	6.5	-1427	14
13.1	11.1	7.15	6.0	-1327	13
12.6	10.6	6.65	5.5	-1227	12
12.1	10.1	6.15	5.0	-1127	11
11.6	9.6	5.65	4.5	-1027	10
11.1	9.1	5.15	4.0	-0927	9
10.6	8.6	4.65	3.5	-0827	8
10.1	8.1	4.15	3.0	-0727	7
9.6	7.6	3.65	2.5	52437-0627	6
D	C	B	(A)	ENG. NO.	極数 CKT.

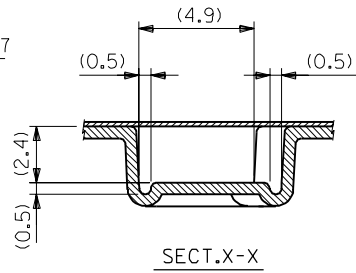
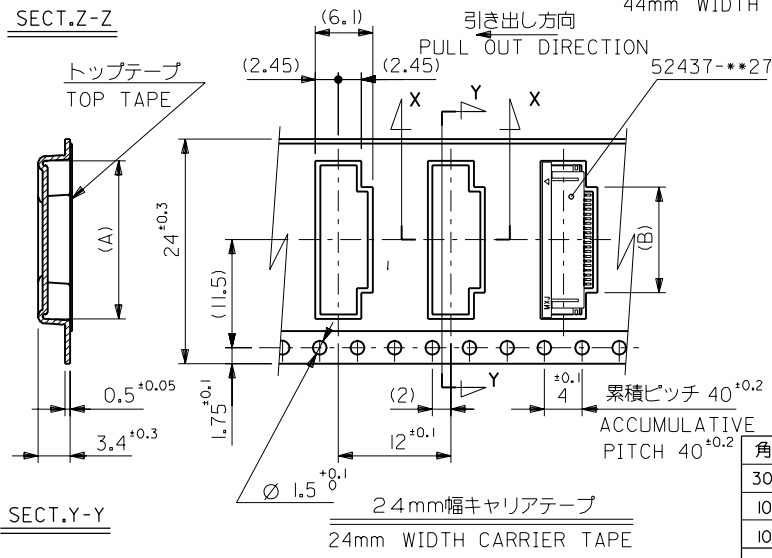
REVISED EC NO: J2005-0980 DRAWN: NABEI CHKD: KTOJO APPR: NUKITA 2004/10/01 2004/10/01 2004/10/12	GENERAL TOLERANCES (UNLESS SPECIFIED)		DIMENSION STYLE MM ONLY		SCALE ---	DESIGN UNITS METRIC	THIRD ANGLE PROJECTION
	10 UNDER	±0.2	DRAWN BY SKAJINUM	DATE '91/03/29	TITLE 0.5 FPC CONN ZIF FOR SMT R/A(BOTTOM CONTACT)		
	10 OVER 30 UNDER	±0.25	CHECKED BY MFUKUSHI	DATE '97/07/14	MOLEX INCORPORATED		
	30 OVER	±0.3	APPROVED BY MFUKUSHI	DATE '97/07/14	DOCUMENT NO. SD-52437-**27		
	ANGULAR	±3 °	MATERIAL NO. SEE CHART		SHEET NO. 2 OF 2		
DRAFT WHERE APPLICABLE MUST REMAIN WITHIN DIMENSIONS		SIZE A3			THIS DRAWING CONTAINS INFORMATION THAT IS PROPRIETARY TO MOLEX INCORPORATED AND SHOULD NOT BE USED WITHOUT WRITTEN PERMISSION		







44	45.5	22.9	16.3	21.9	52437-3091	30
キャリアテープ幅 CARRIER TAPE WIDTH	D	(C)	(B)	(A)	ENG. NO.	極数 CIRCUIT



24	25.5	11.8	17.4	52437-2191	21
キャリアテープ幅 CARRIER TAPE WIDTH	D	(B)	(A)	ENG. NO.	極数 CIRCUIT

材料 MATERIAL	SHEET 1 OF 3 参照 REFER TO SHEET 1 OF 3	
F 変更 REVISED	JC2001-0458	100/12/15
E 変更 REVISED	(J41005)	94/12/13
D 変更 REVISED	(J40900)	94/11/11
C 変更 REVISED	(J30060)	93/1/25
B 変更 REVISED	(J20834)	92/9/14
A 変更 REVISED	(J20544)	92/7/16
角度 ANGLE	±3°	
30°以上 OVER	±0.5	
10°以上 30°未満 UNDER	±0.25	
10°未満 UNDER	±0.2	
一般公差 GENERAL TOLERANCES	記号 LTR	変更内容 REVISION RECORD
	DR.	日付 DATE
	CHK.	尺度 SCALE
		APP'D BY 92/12/20 S.KAJINUMA
		CHK'D BY 100/12/20 S.KUNISHI

<b>molex</b> MOLEX-JAPAN CO.,LTD. 日本モレックス株式会社
REVISE ONLY ON CAD SYSTEM
TITLE 名称 0.5 FPC Conn ZIF SMT R/A With Tape Embstp Pkg
DWG. NO. (SHEET 3 OF 3) REV SD-52437-**-91

DIMENSIONS IN METRIC DO NOT SCALE DRAWING

:MM

5949920,536