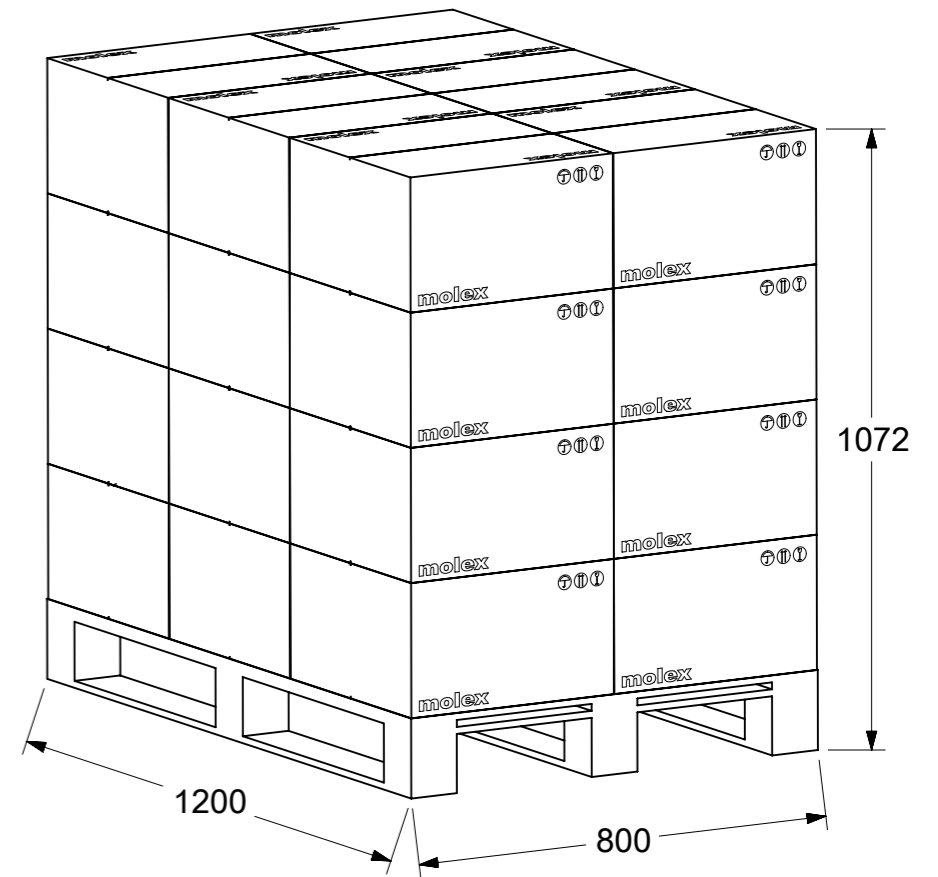
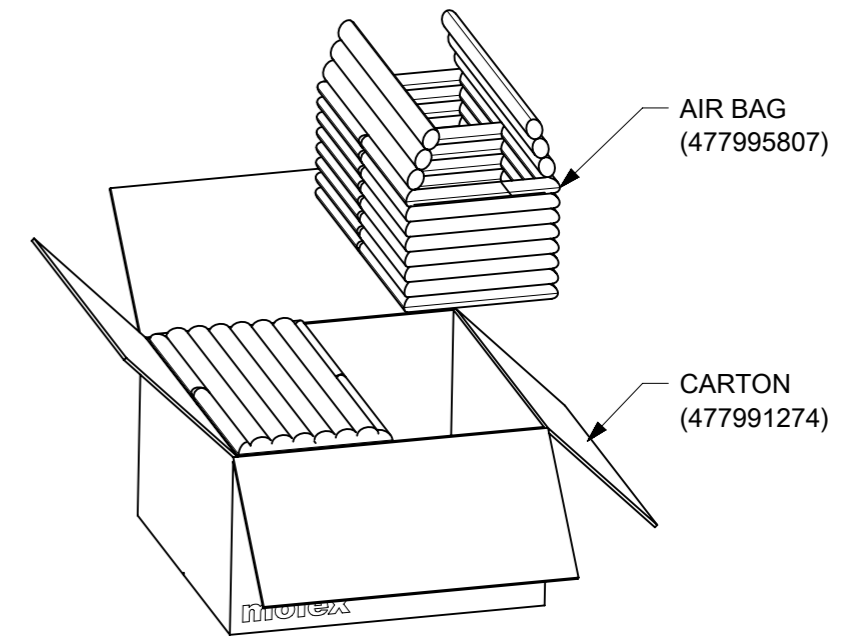


TABLE

PART#	DESCRIPTION	QTY/AIR BAG	AIR BAGS/CARTON	SPQ
0314022***	2 CKT SEALED GET ASSEMBLY	800	2	1,600
0314032***	2 CKT SEALED MX ASSEMBLY	800	2	1,600
0314042***	2 CKT SEALED YK ASSEMBLY	800	2	1,600
0349752***	2 CKT SEALED GET ASSEMBLY	800	2	1,600
0349772***	2 CKT SEALED GET ASSEMBLY	800	2	1,600
0314023***	3 CKT SEALED GET ASSEMBLY	700	2	1,400
0314033***	3 CKT SEALED MX ASSEMBLY	700	2	1,400
0314043***	3 CKT SEALED YK ASSEMBLY	700	2	1,400
0349753***	3 CKT SEALED GET ASSEMBLY	700	2	1,400
0314024***	4 CKT SEALED GET ASSEMBLY	600	2	1,200
0314034***	4 CKT SEALED MX ASSEMBLY	600	2	1,200
0314044***	4 CKT SEALED YK ASSEMBLY	600	2	1,200
0314025***	5 CKT SEALED GET ASSEMBLY	500	2	1,000
0314035***	5 CKT SEALED MX ASSEMBLY	500	2	1,000
0314045***	5 CKT SEALED YK ASSEMBLY	500	2	1,000
0314026***	6 CKT SEALED GET ASSEMBLY	400	2	800
0314036***	6 CKT SEALED MX ASSEMBLY	400	2	800
0314046***	6 CKT SEALED YK ASSEMBLY	400	2	800
0314047***	6 CKT SEALED CONNECTOR ASSEMBLY	400	2	800
0349756***	6 CKT SEALED GET ASSEMBLY	400	2	800
0314028***	8 CKT SEALED GET ASSEMBLY	400	2	800
0314038***	8 CKT SEALED MX ASSEMBLY	400	2	800
0314048***	8 CKT SEALED YK ASSEMBLY	400	2	800
0314049***	8 CKT SEALED CONNECTOR ASSEMBLY	400	2	800
03141486**	8 WAY SEALED WDC (STRAIGHT)	1,200	2	2,400
03141487**	8 WAY SEALED WDC (R/A)	1,100	2	2,200



NOTES:

1. FOLD AND TAPE THE BOTTOM FLAPS OF THE CARTON
2. FILLING THE AIR BAG
3. BULK PACKAGE PRODUCT INTO THE AIR BAG  
(PACKAGE AS SHOWN AND PER DATA TABLE AND BOM)
4. PLACE TWO AIR BAGS OF PARTS INTO THE CARTON
5. FOLD AND TAPE THE AIR BAGS
6. FOLD TOP FLAPS OF CARTON AND SEAL WITH TAPE
7. LABEL, THEN PALLETIZE AS SHOWN IF QUANTITIES JUSTIFY.

D	Packaging type changed to AIR BAG	20200821
DOCUMENT STATUS	P1	RELEASE DATE 2020/10/12 01:43:28

FUNCTIONAL SYMBOLS	THIS DRAWING CONTAINS INFORMATION THAT IS PROPRIETARY TO MOLEX ELECTRONIC TECHNOLOGIES, LLC AND SHOULD NOT BE USED WITHOUT WRITTEN PERMISSION		CURRENT REV DESC:		
	$\nabla_A = 0$ $\nabla_E = 0$ $\nabla_V = 0$	DIMENSION UNITS: <b>HYBRID</b> SCALE: <b>1:1</b>	GENERAL TOLERANCES (UNLESS SPECIFIED) ANGULAR TOL ± 1.0°		
DIVISIONAL SYMBOLS	4 PLACES ±	3 PLACES ±	2 PLACES ±	1 PLACE ±	2020/08/18 2020/10/09 2020/10/12
	0 PLACES ±	INITIAL REVISION:		DRWN: PPHelps APPR: JNORTHRO	2004/05/26 2004/05/26
DRAFT WHERE APPLICABLE MUST REMAIN WITHIN DIMENSIONS		THIRD ANGLE PROJECTION	DRAWING	SERIES	DOCUMENT NUMBER: <b>PK-31300-256</b> DOC TYPE: PDD DOC PART: 001 REVISION: D
			A3-SIZE	31300	MATERIAL NUMBER: GENERAL MARKET CUSTOMER: GENERAL MARKET SHEET NUMBER: 1 OF 1