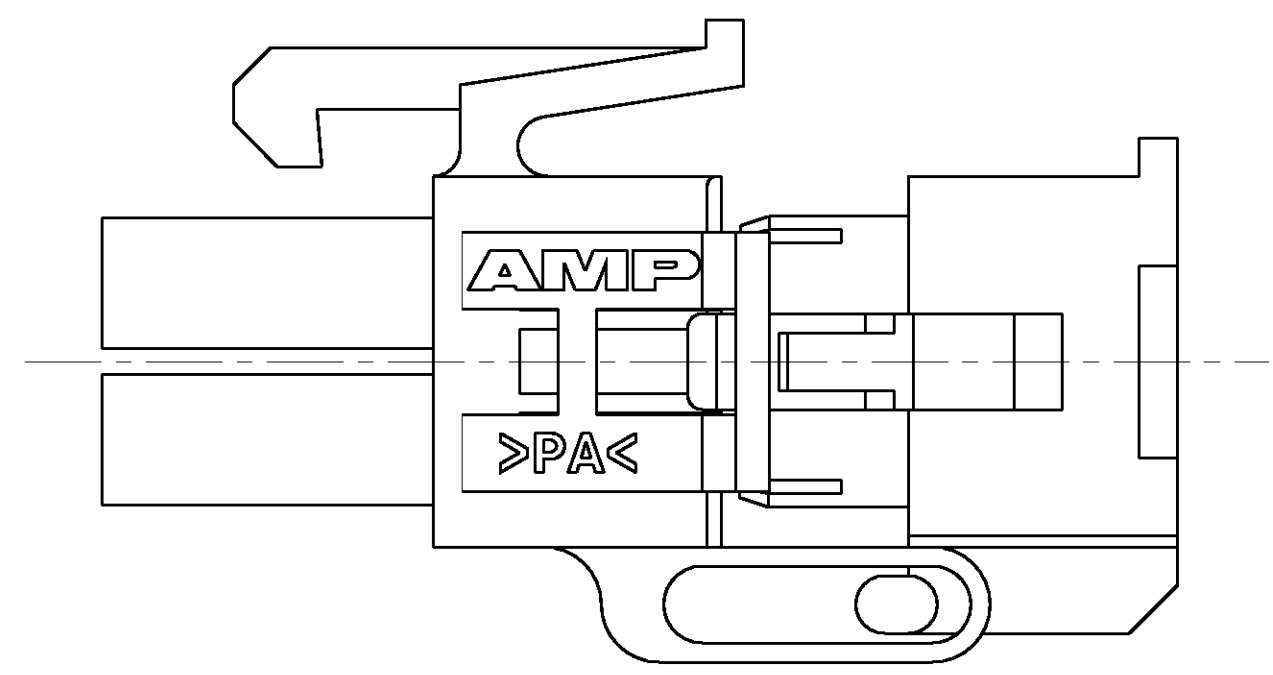
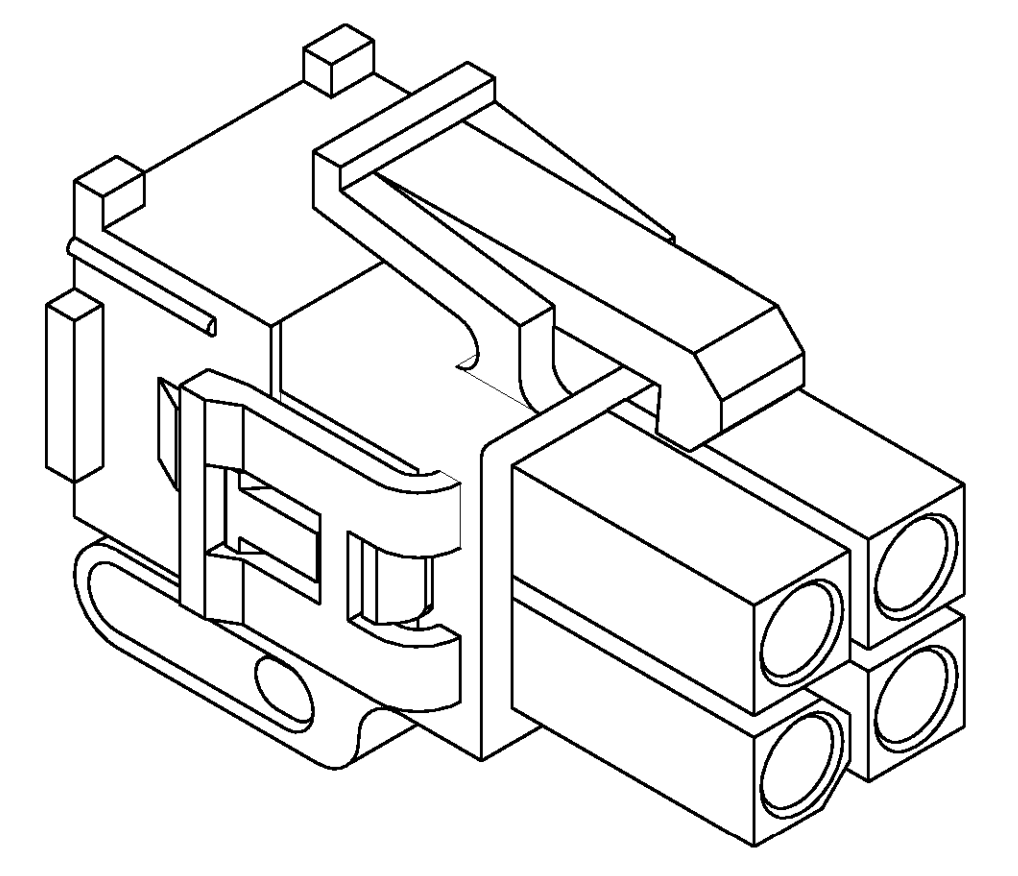
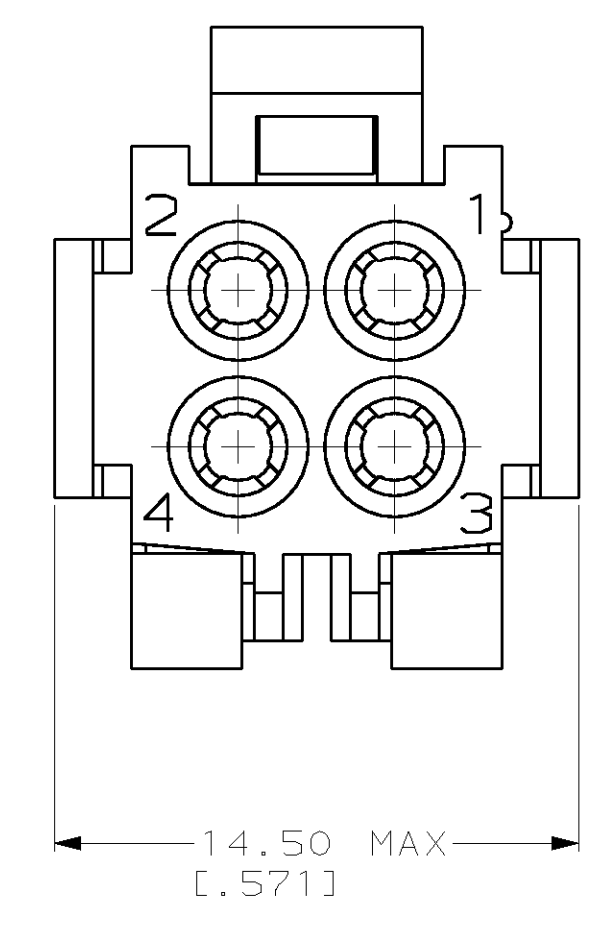
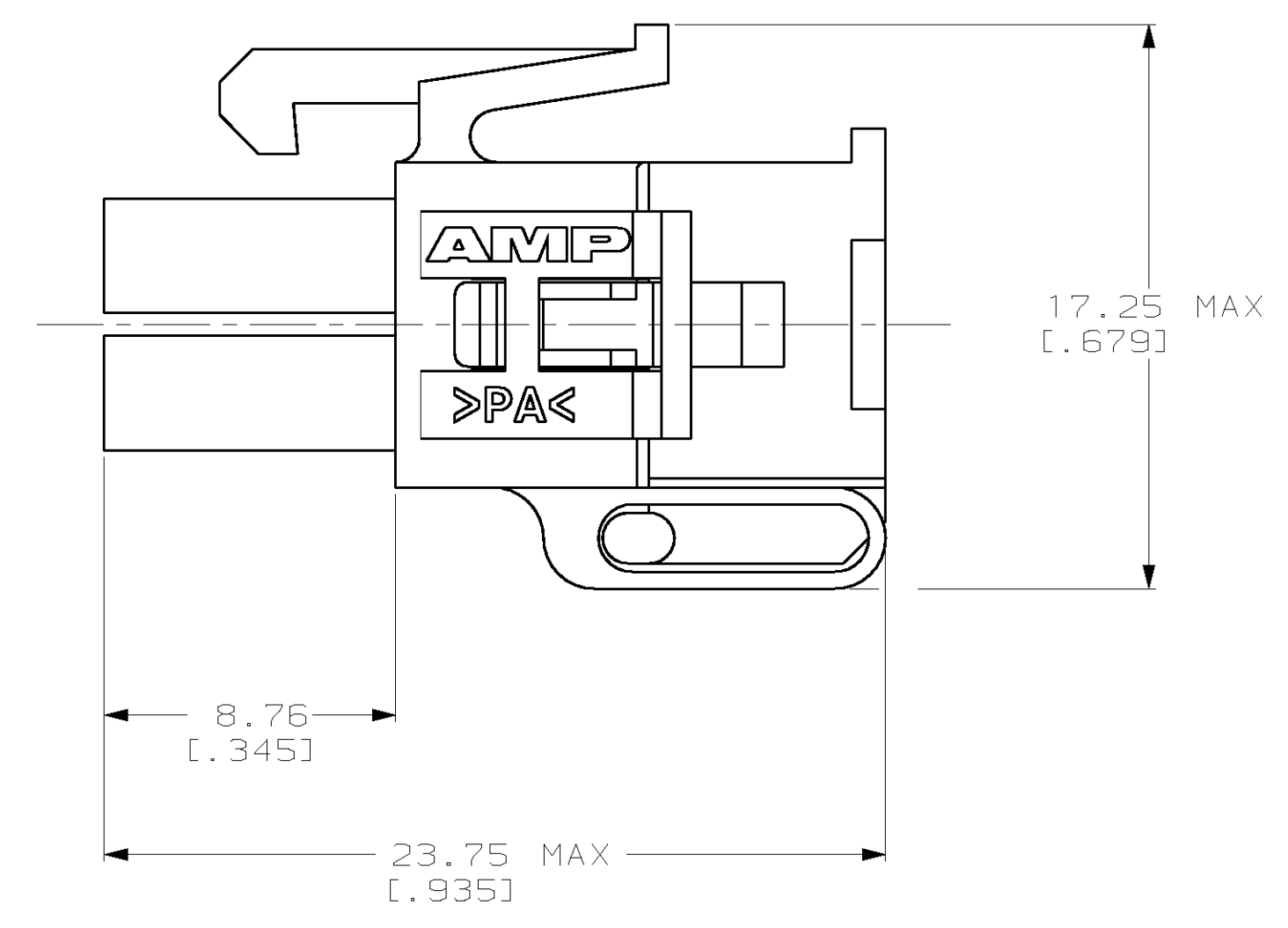
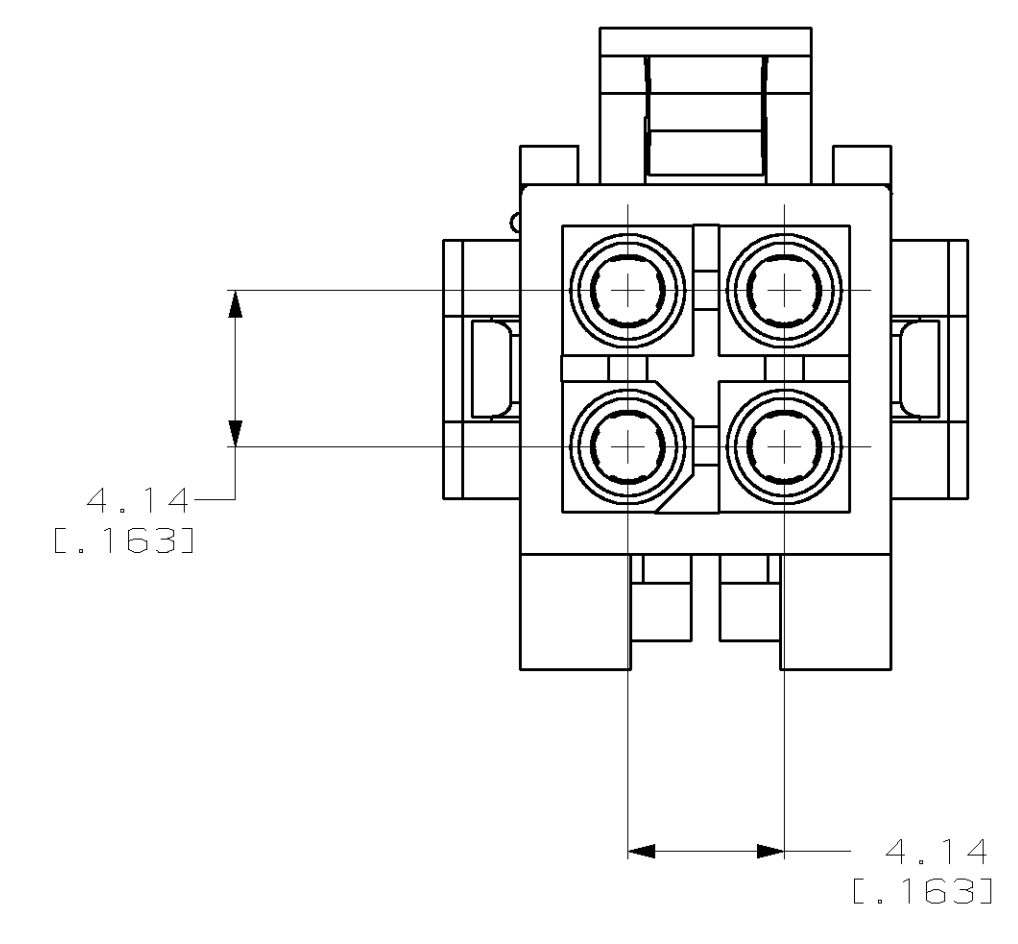


LOC	DIST	REVISIONS			
F	CHR	DESCRIPTION	DATE	OWN	APVD
B		REV PER EC 061B-0094-99	23-SEP-99	KW	KC



PRE-STAGED CONDITION

1. DIMENSIONS IN BRACKETS ARE IN INCHES.



3-DIMENSIONAL MODEL  
NTS

794241-1  
PART NUMBER



THIS DRAWING IS A CONTROLLED DOCUMENT.		DWN K. WHITAKER 5-12-97	<b>AMP</b> AMP Incorporated Harrisburg, PA 17105-3608
		CHK R. SWING 5-12-97	
DIMENSIONS:		APVD S. ORSTAD 5-12-97	NAME PLUG, 4 CIRCUIT, MINI UNIVERSAL MATE-N-LOK™ 2
mm	TOLERANCES UNLESS OTHERWISE SPECIFIED:	PRODUCT SPEC	APPLICATION SPEC
	0 PLC ±		
	1 PLC ±		
	2 PLC ±0.13 (.005)		
	3 PLC ±		
	4 PLC ±		
	ANGLES 40°-30°		
MATERIAL NYLON, UL 94V-2, NATURAL	FINISH -	WEIGHT -	RESTRICTED TO A1 00779 C-794241
CUSTOMER DRAWING		SCALE 5:1	SHEET 1 OF 1