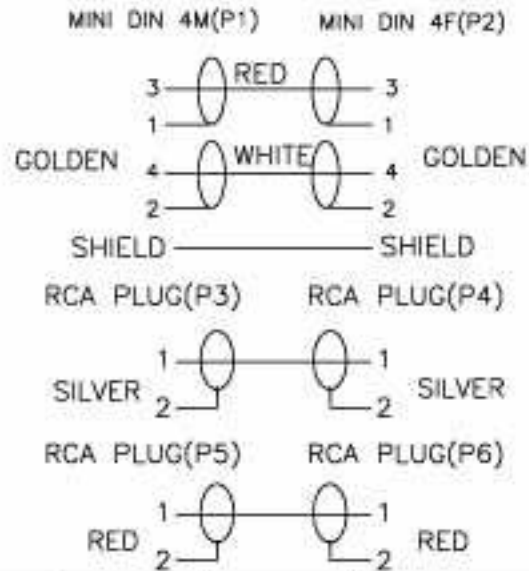
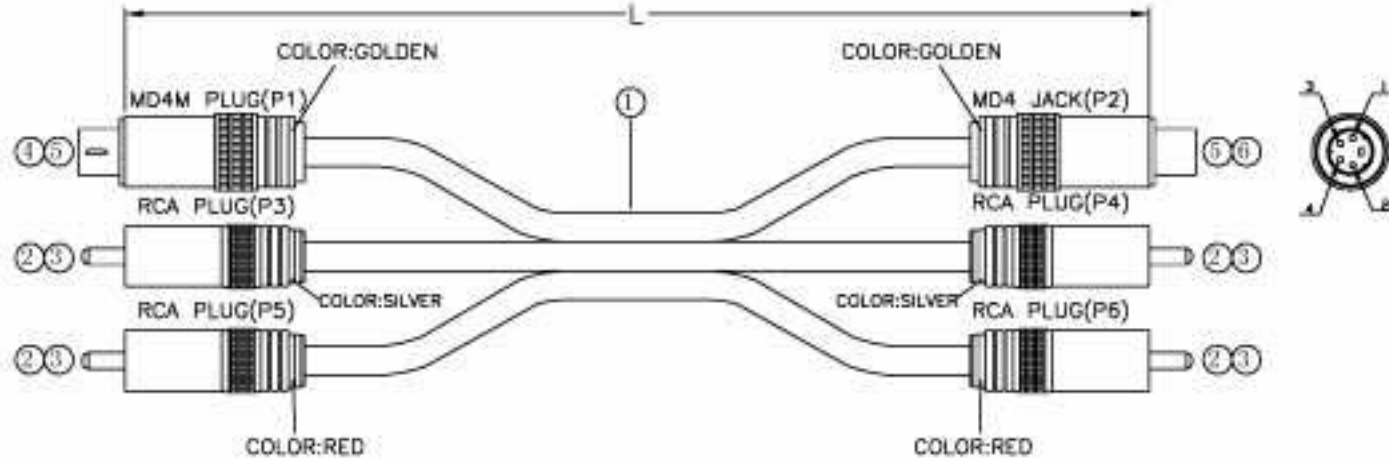


REVISION	DESCRIPTION	DATE
V0	NEW	2002.09.10



ITEM NO.	L
AK-AV510	1500±50
AK-AV511	5000±50

NO.	DESCRIPTION	QTY
①	CONNECTOR: MINI DIN4F GOLD PLATED #6.5MM SHIELD RING COLOR:GOLDEN	1PC
②	H.S TUBE: BLACK #1.5*8MM(4PCS) #3.0*8MM(4PCS) AND #9.0*15MM(2PCS)	10PCS
③	CONNECTOR: MINI DIN4M GOLD PLATED #6.5MM SHIELD RING COLOR:GOLDEN	1PC
④	HEAT SHRINK: BLACK #5.0*8MM	4PCS
⑤	CONNECTOR: RCA PLUG GOLD PLATED #6.5MM SHIELD RING COLOR SEE DRAWN	4SET
⑥	CABLE: FLAT [(B.C20/0.12+AL/MY+T.C40/D.12)*2C+AL/MY+(T.C4/16/D.12 OVER 85%)]x1F+(30/D.12+AL/MY+16/7/0.12)x2F O.D:8.0*6.0*6.0MM PVC JACKET COLOR:BLUE(CS-601)	1PCS

DATE	18 DEC.2002	PARTS NO	
UNIT	MM	DRAWN NO	N1409-1
SCALE	NO	BUYER NO	002

TITLE: 2*RCA+MD4M/2*RCA+MD4F
(ASSEMBLY TYPE)

DRAWN	W.L.G	CHECK	APPRO
ASSMANN Electronics			