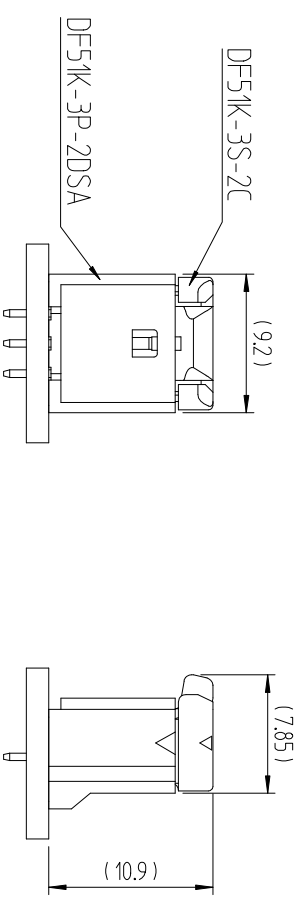
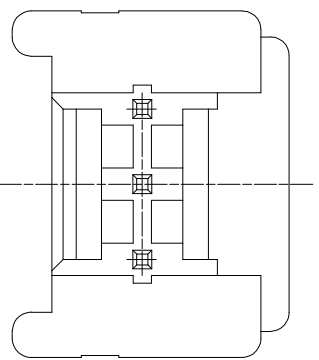
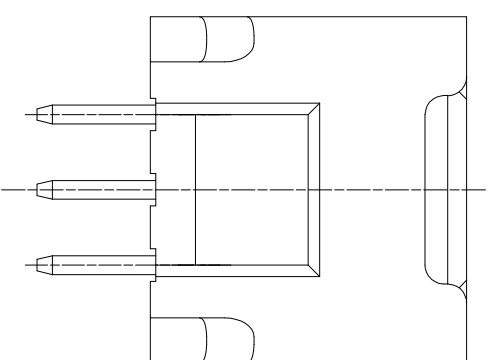
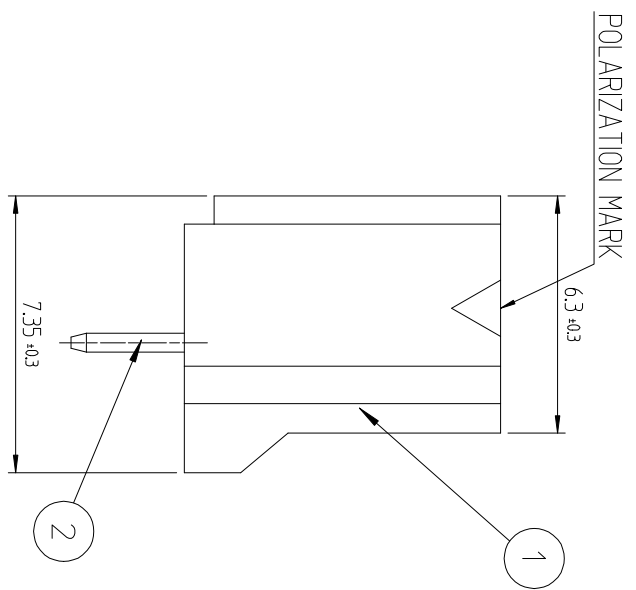
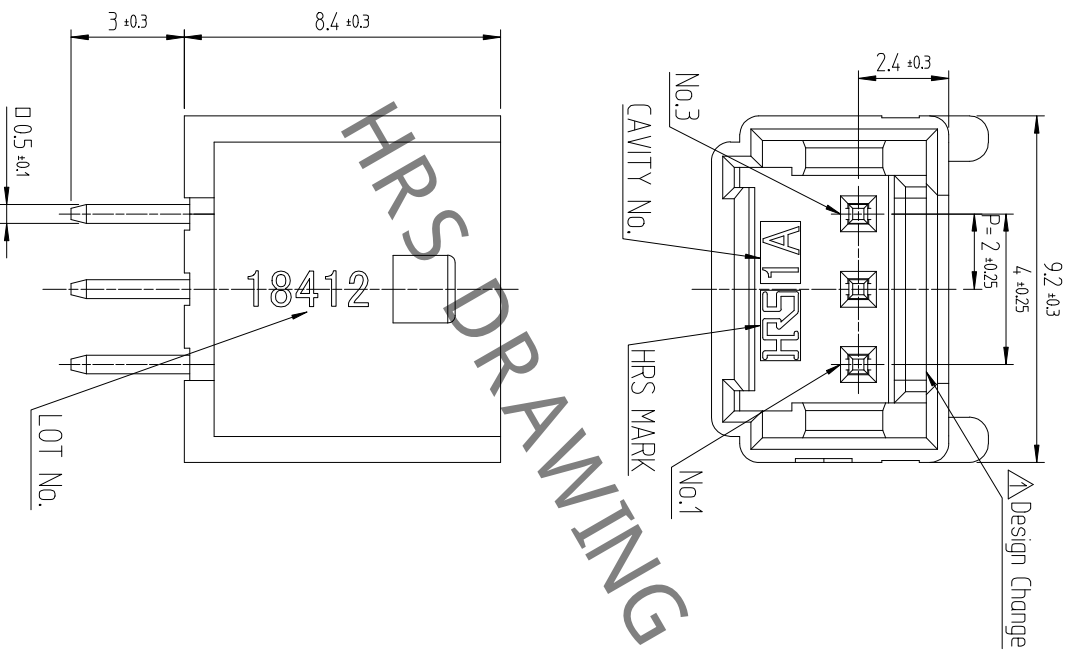
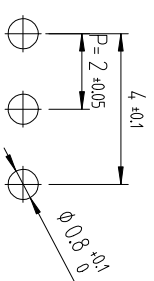


△数 COUNT	訂正事項 DESCRIPTION OF REVISIONS	檢査 CHKD	年月日 DATE	△数 COUNT	訂正事項 DESCRIPTION OF REVISIONS	檢査 CHKD	年月日 DATE
1	RE-6-1150	K.I.Y	18.07.04				
2	RE-6-1579	K.I.Y	20.01.23				

RECOMMENDED LAND PATTERN (FREE)
 (PCB THICKNESS t=1.6mm)



ENGAGEMENT FIGURE (2:1)

NOTE 1. 1PACK CONTAINS 100PCS.

2. () DIMENSIONS ARE ONLY REFERENCE.

△ 3. UL-File No. E132750) AUTHORIZATION ARTICLE.

C-UL-File No. E132750) AUTHORIZATION ARTICLE.



1	△ PA66	UL94V-0, BLACK	2	BRASS	TIN PLATING 1μm MIN, OVER NICKEL 0.5μm MIN
NO.	MATERIAL	FINISH/REMARKS	NO.	MATERIAL	FINISH/REMARKS
CODE NO. (OLD)		DRAWN	CHECKED		APPROVED
		CHOI JS 17.12.22	LM SM 17.12.22		KANG T.S 17.12.22
SCALE 5:1		DESIGNED		RELEASED	
UNITS mm		CHOI JS 17.12.22		ENG DEPT 20.02.12	
DRAWING NO. EDC3-632303			PART NO. DF51K-3P-2DSA (800)		
HRS HIROSE KOREA CO.,LTD.			CODE NO. CL 6652-0002-4-800		

1/1