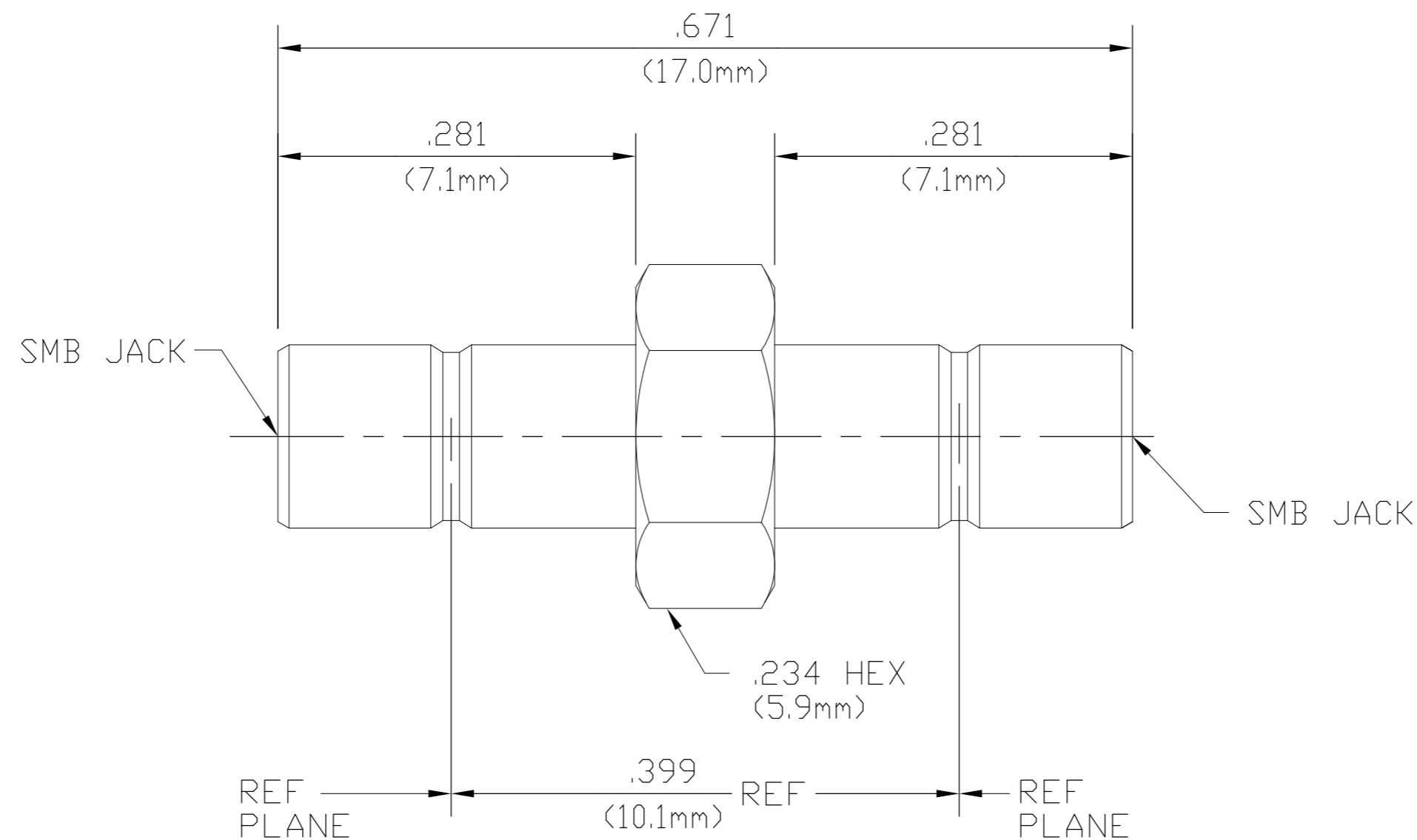


THIS DRAWING IS UNPUBLISHED. RELEASED FOR PUBLICATION
 © COPYRIGHT BY TYCO ELECTRONICS CORPORATION. ALL INTERNATIONAL RIGHTS RESERVED.

LOC		DIST		REVISIONS					
AJ		00		P	LTR	DESCRIPTION	DATE	DWN	APVD
				B		REV PER ECO 08-026436	3DEC2008	DW	JL



HOUSING	BRASS PER ASTM-B-16	GOLD PLATE PER MIL-G-45204 OVER COPPER PLATE PER MIL-C-14550
DIELECTRIC	TFE FLUOROCARBON PER ASTM-D-1457, MIL-P-19468, AND FED. SPEC L-P-403	N/A
CENTER CONTACT	BRASS PER ASTM-B-16	GOLD PLATE PER MIL-G-45204 OVER COPPER PLATE PER MIL-C-14550
COMPONENT	MATERIAL	FINISH

NOTES:
 1. CAPTURED CENTER CONTACT

THIS DRAWING IS A CONTROLLED DOCUMENT.		DWN 5-25-71 E.J.C	Tyco Electronics Corporation Harrisburg, PA 17105-3608	
DIMENSIONS: INCHES		CHK 6-1-71 P.R.B	NAME SMB JACK TO JACK ADAPTER (5180-0000-09)	
TOLERANCES UNLESS OTHERWISE SPECIFIED:		APVD 6-1-71 B.K.W	SIZE A2	CAGE CODE 00779
0 PLC ± -		PRODUCT SPEC	DRAWING NO C=1060485-1	RESTRICTED TO -
1 PLC ± -		APPLICATION SPEC	SCALE 9:1	SHEET 1 of 1
2 PLC ± -		WEIGHT -	REV B	
3 PLC ± .005		CUSTOMER DRAWING		
4 PLC ± -				
ANGLES ± 1°				
FINISH -				