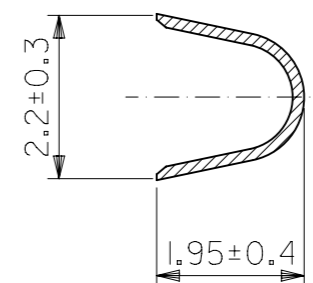
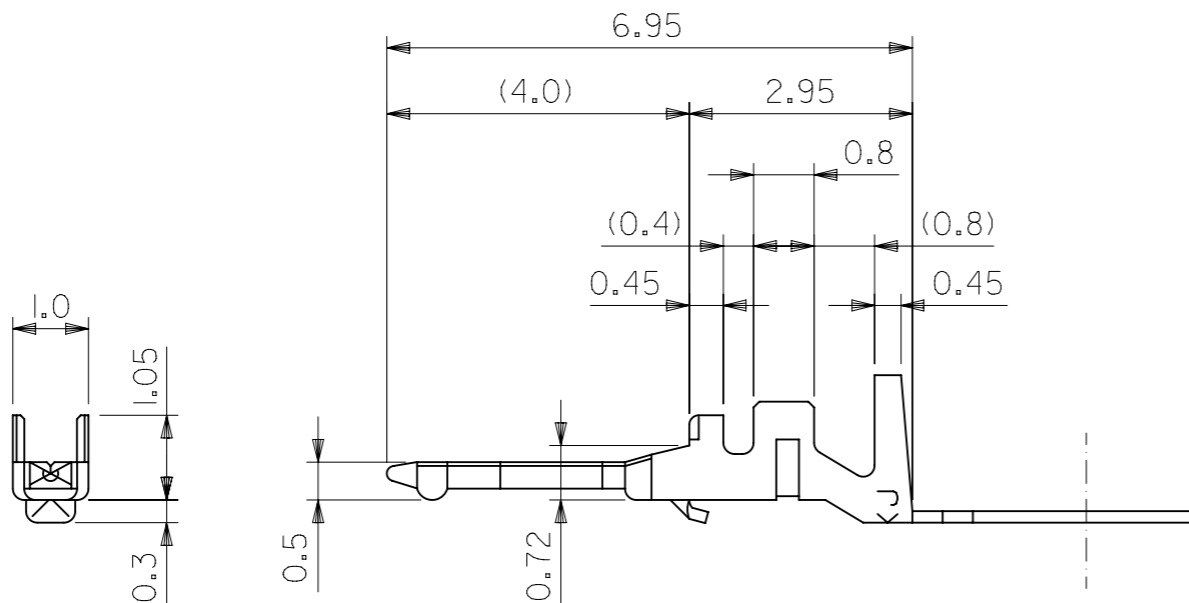
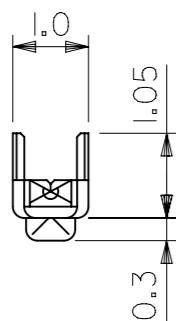


A-A断面
SECT. A-A



B-B断面
SECT. B-B



注)
NOTE.

- 1. 適合ハウジング : 51015-***00
APPLICABLE HOUSING: 51015-***00

50034-8000	連鎖状 CHAIN
オーダー番号 ORDER No.	形状 FORM
CONNECTOR SERIES No. 50034-8*00	

材料 MATERIAL	錫メッキ済、リン青銅 PHOS. BRO. TIN-PLATED
適用電線範囲 WIRE RANGE	AWG #26 ~ #30
適用被覆外径 INS. RANGE	∅1.4 MAX.

GENERAL TOLERANCES (UNLESS SPECIFIED)	
10 ^{UNDER}	±0.2
10 ^{OVER} 30 ^{UNDER}	±0.25
30 ^{OVER}	±0.3
ANGULAR	±3°

THIS DRAWING CONTAINS INFORMATION THAT IS PROPRIETARY TO MOLEX ELECTRONIC TECHNOLOGIES, LLC AND SHOULD NOT BE USED WITHOUT WRITTEN PERMISSION

DIMENSION UNITS	SCALE	CURRENT REV DESC: OBSOLETE PART NUMBER
mm	10:1	
GENERAL TOLERANCES (UNLESS SPECIFIED)		EC NO: 632260
4 PLACES	±	DRWN: AKUMAR19 2020/01/30
3 PLACES	±	CHK'D: GGA 2020/02/28
2 PLACES	±	APPR: GGA 2020/02/28
1 PLACE	±	INITIAL REVISION:
0 PLACES	±	DRWN: KKOHAMA 2000/03/28
ANGULAR TOL	± °	APPR: MFUKUSHIMA 2000/03/30
DRAFT WHERE APPLICABLE MUST REMAIN WITHIN DIMENSIONS	THIRD ANGLE PROJECTION	DRAWING
		A3-SIZE
SERIES		MATERIAL NUMBER
50034		SEE TABLE
CUSTOMER		SHEET NUMBER
GENERAL MARKET		1 OF 1

molex

2.0 BOARD IN CONN.
CRIMP PIN

PRODUCT CUSTOMER DRAWING

DOCUMENT NUMBER	DOC TYPE	DOC PART	REVISION
SD-50034-002	PSD	001	E