

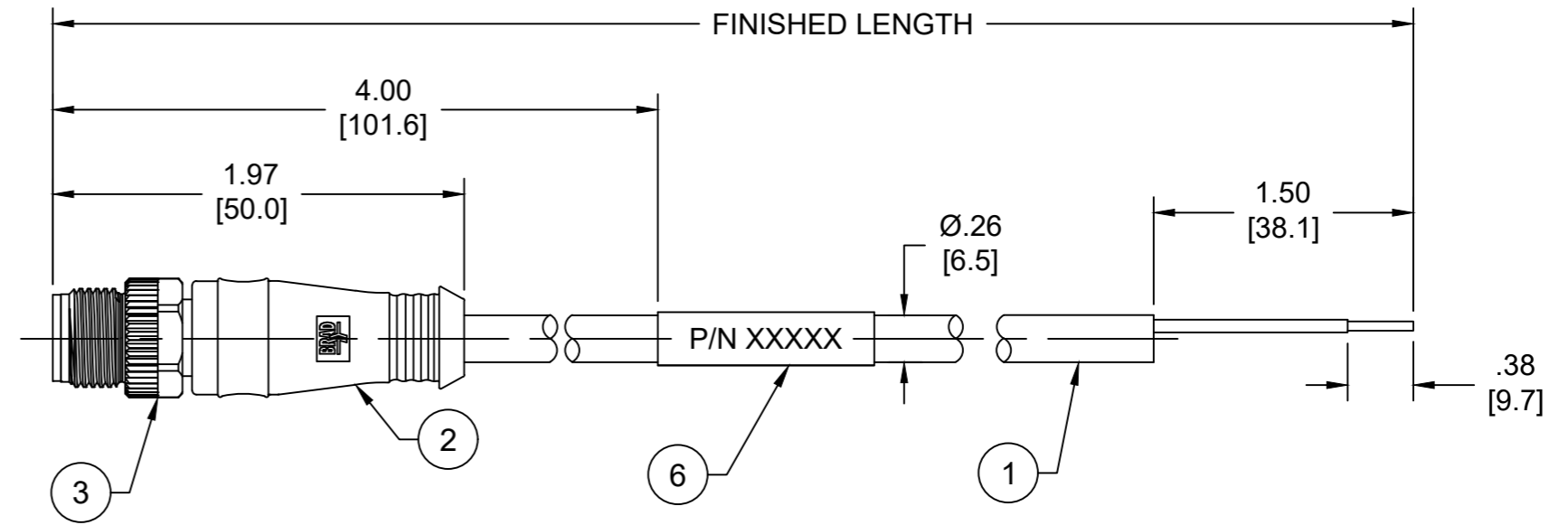
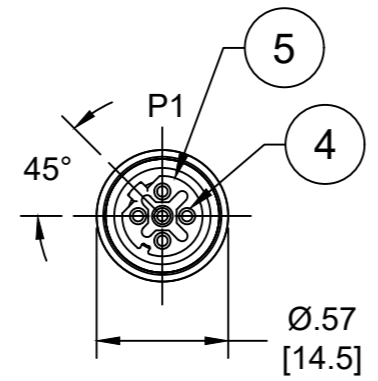
PART NUMBER LEGEND

E10A00616M020

FINISHED LENGTH
M005 - 0.5 METER
M010 - 1 METER
M200 - 20 METER

MATERIAL NUMBER	ENGINEERING NUMBER	FINISHED LENGTH
1201088542	E10A00616M020	2M [6FT 7 IN]
1201088545	E10A00616M200	20M[65FT 7 IN]
1201088547	E10A00616M500	50M[164FT]

- NOTES:**
- MATERIAL: AS NOTED
 - FINISH: AS NOTED
 - ELECTRICAL:
VOLTAGE: 125V
CURRENT: 1.5A
 - PROTECTION: IP67 (WHEN MATED)
 - COUPLING THREAD: M12X1
 - ALL DIMENSIONS ARE FOR REFERENCE UNLESS TOLERANCED OR NOTED OTHERWISE



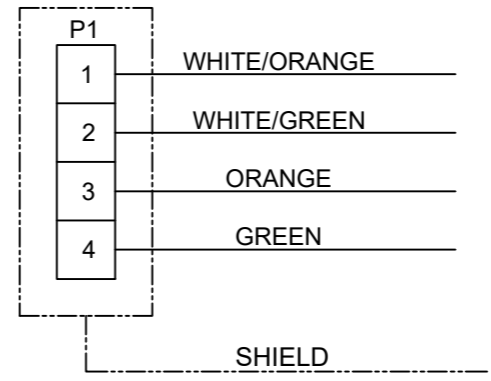
ADDITIONAL CABLE INFORMATION

PHYSICAL CHARACTERISTICS:

CONDUCTOR SIZE	24AWG 2 PAIR (19/0.12mm) BARE COPPER
INSULATION MATERIAL	POLYOLEFIN
SHIELD/BRAID	TINNED COPPER 85% COVERAGE
JACKET MATERIAL	TPU (TEAL)
CONDUCTOR TAPE	ORANGE, ORANGE-WHITE & GREEN, GREEN-WHITE
TAPE	ALUMINUM-POLYESTER

CABLE:

TEMPERATURE RATING (STORAGE)	-40 / +80°C
TEMPERATURE RATING (OPERATION)	-20 / +50°C
WELD SLAG RESISTANCE	YES, S-300 MOLEX TEST
FREE SUBSTANCE'S	FCKW, SILICONE, AND PB
FIRE PERFORMANCE	IEC60332-1, UL1581
OIL RESISTANCE	ISO6722, UL758/2556



CABLE LENGTH TOLERANCES

<.3M [1FT]:	+19mm-0 [+ .75in-0]
.3 - .9M [1 - 3FT]:	+44.5mm-0 [+1.75in-0]
.9 - 1.8M [3 - 6FT]:	+55.6mm-0 [+2.19in-0]
1.8 - 3.7M [6 - 12FT]:	+88.9mm-0 [+3.50in-0]
3.7 - 7.3M [12 - 24FT]:	+165.1mm-0 [+6.50in-0]
7.3-14.6M [24 - 48FT]:	+317.5mm-0 [+12.50in-0]
14.6 - 30.5M [48-100FT]:	+622.3mm-0 [+24.50in-0]
OVER 30M [100FT]:	+2% OF FINISHED LENGTH

6	WRAP LABEL	VINYL	BLACK/YELLOW
5	INSERT	PUR	BLACK
4	PIN CONTACT	COPPER ALLOY	GOLD OVER NICKEL
3	COUPLING NUT	BRASS	NICKEL PLATED
2	OVERMOLD	PUR	BLACK
1	CABLE #24AWG	TPU	TEAL
ITEM	DESCRIPTION	MATERIAL	FINISH

FUNCTIONAL SYMBOLS	THIS DRAWING CONTAINS INFORMATION THAT IS PROPRIETARY TO MOLEX ELECTRONIC TECHNOLOGIES, LLC AND SHOULD NOT BE USED WITHOUT WRITTEN PERMISSION		CURRENT REV DESC: ITEM-1 WAS PUR. MODIFIED PN CHART			
	DIMENSION UNITS	SCALE				
$F=0$	INCH/MM	NTS	EC NO: 702709		D-CODE CORDSET, M12	
$E=0$	GENERAL TOLERANCES (UNLESS SPECIFIED)		DRWN: ABENJAMINLW 2022/03/16		4 POLE, MALE, STRAIGHT, #24 AWG	
$P=0$	4 PLACES	±----	CHK'D: RSTONE 2022/04/11		PRODUCT CUSTOMER DRAWING	
DIVISIONAL SYMBOLS	3 PLACES	±----	APPR: BWOODMAN 2022/04/16		DOCUMENT NUMBER	
	2 PLACES	±----	INITIAL REVISION:		SD-120108-101	
1 PLACE	±----	DRWN: RSTONE 2017/08/04		DOC TYPE/DOC PART/REVISION		
0 PLACES	±----	APPR: BWOODMAN 2017/08/11		PSD 001 B		
ANGULAR TOL ± ---- °		THIRD ANGLE PROJECTION		MATERIAL NUMBER		SHEET NUMBER
DRAFT WHERE APPLICABLE MUST REMAIN WITHIN DIMENSIONS		DRAWING		CUSTOMER		1 OF 1
		B-SIZE		GENERAL MARKET		
		SERIES		SEE CHART		
		120108				