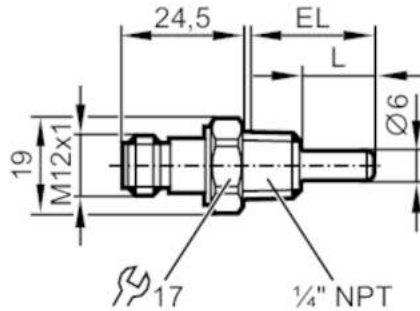


TM5601



Temperature sensor with process connection

TM-025KCBN14- /US/



Product characteristics

Measuring range	-40...150 °C	-40...302 °F
Process connection	threaded connection 1/4" NPT	
Installation length EL [mm]	25	

Application

Special feature	Gold-plated contacts	
Measuring element	1 x Pt 1000; (to DIN EN 60751, class A)	
Media	liquids and gases	
Pressure rating [bar]	400	
Note on pressure rating	sensor	
	When mounted in adapters the specifications of the adapter data sheet apply.	
Minimum installation depth [mm]	15	

Electrical data

Protection class	III	
------------------	-----	--

Measuring/setting range

Probe length L [mm]	15	
Measuring range	-40...150 °C	-40...302 °F

Accuracy / deviations

Accuracy [K]	± (0,15 K + 0,002 x t)	
--------------	-------------------------	--

Response times

Dynamic response T05 / T09 [s]	1 / 3	
--------------------------------	-------	--

Operating conditions

Ambient temperature [°C]	-25...80	
Storage temperature [°C]	-40...100	
Protection	IP 68; IP 69K	

Tests / approvals

Shock resistance	DIN EN 60068-2-27	50 g (11 ms)
Vibration resistance	DIN EN 60068-2-6	20 g (10...2000 Hz)
MTTF [years]	22831	
UL approval	UL Approval no.	K004

TM5601



Temperature sensor with process connection

TM-025KCBN14- /US/

Mechanical data	
Weight [g]	27.2
Materials	stainless steel (1.4404 / 316L)
Materials (wetted parts)	stainless steel (1.4404 / 316L)
Process connection	threaded connection 1/4" NPT
Probe diameter [mm]	6
Installation length EL [mm]	25
Remarks	
Remarks	operating voltage "supply class 2" according to cULus
Pack quantity	1 pcs.

Electrical connection

Connector: 1 x M12; coding: A; Contacts: gold-plated



Connection

