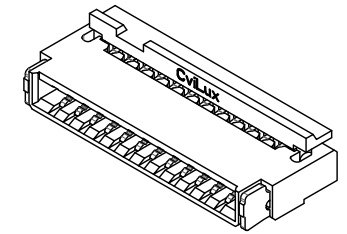


Material :

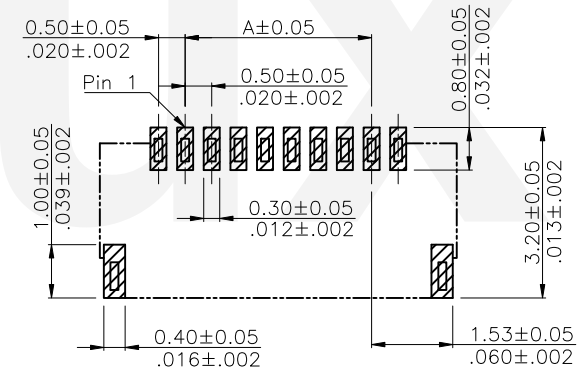
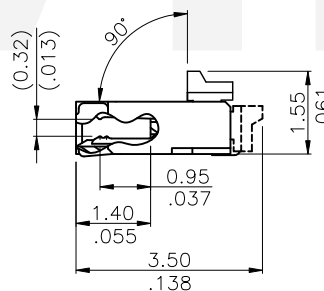
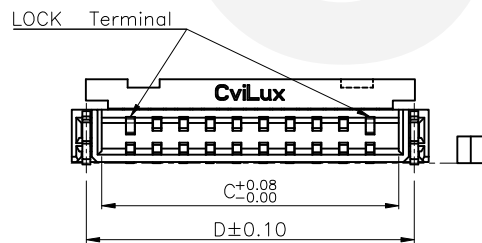
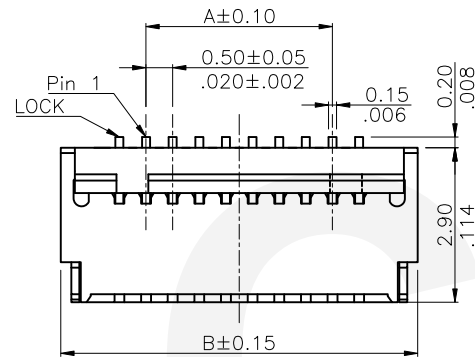
- * Body: High temperature plastic UL 94V-0, Color Nature
- * Cover: High temperature plastic UL 94V-0, Color Black
- * Contact: Phosphor Bronze
- * Fixed tab: Brass with 2.03μm(80μ") Min. Matte Tin Plated over 1.27μm(50μ") Min. Nickel

Ordering Code

CF87 ** * H 0 * 0 -05 -NH
 ① ② ③ ④ ⑤ ⑥ ⑦ ⑧ ⑨

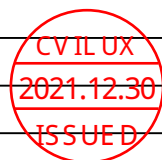


- ① Series No.
- ② No. of Circuits: 4~30PIN
- ③ Plating code:
 1= 2.03μm(80μ") Min. Matte Tin plated over 1.27μm(50μ") Min. Nickel
 F= 0.03μm(1.2μ") Min. Gold plated on Contact area and Solder tails, 1.27μm(50μ") Min. Nickel Underplating over all.
- ④ Contact style: H= Dual side contact
- ⑤ 0= Color Nature
- ⑥ Packing: R = Tape & Reel packing
 G = Tape & Reel packing, Reel Material: HIPS
- ⑦ Specifications: 0 = Standard Edition
- ⑧ -05= 0.5 Pitch
- ⑨ -NH= For Lead Free IR Reflow Processed and Halogen Free



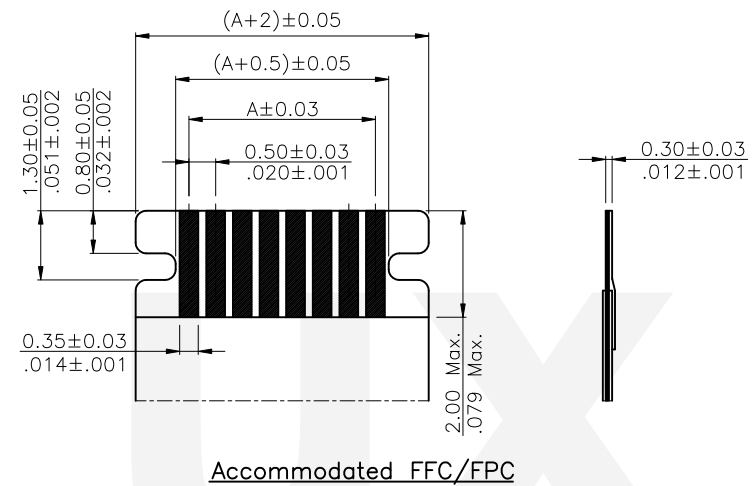
Recommended P.C. Board Layout

Halogen-Free Lead Free Process RoHS Compliant




④					DATE	UNIT: mm / inch	TITLE: 0.50mm(.020") ZIF FFC/FPC BACK FLIP CONNECTOR	瀚荃股份有限公司 CviLux Corporation
③				DRAWN BY: Sun	12/23-21'	TOLERANCE UNLESS OTHERWISE SPECIFIED	MATERIAL:	
②	Sun	12/23-21	ECNT121317	ENGINEER: Sun	12/23-21'	.X ± 0.20/008 .X' ±	FINISH:	DRAWING NO. CF8701SC PART NO. CF87***H0R0-05-NH
①	Eric	9/14-21'	ECRH121050/ECNT121238	CHECKED BY: Eisley	12/24-21'	.XX ± 0.15/006 .X' ± 1'		SCALE 10 / 1 SHEET 1 OF 3
SYM	NAME	DATE	REVISIONS	APPROVED BY: Eisley	12/24-21'	.XXX ± .XX' ±		

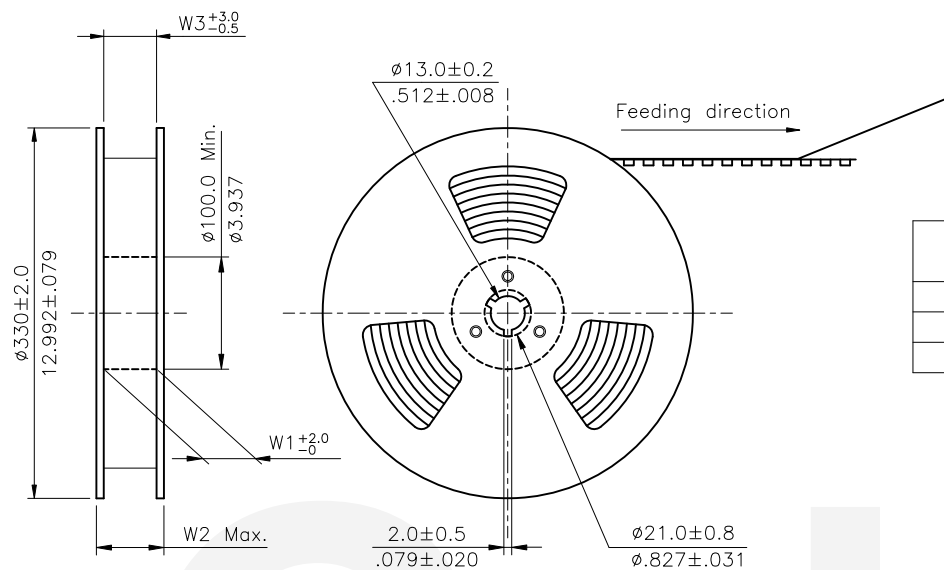
NO. of CONTACTS	DIMENSIONS			
	A	B	C	D
4	1.50	4.70	3.55	4.15
5	2.00	5.20	4.05	4.65
6	2.50	5.70	4.55	5.15
7	3.00	6.20	5.05	5.65
8	3.50	6.70	5.55	6.15
9	4.00	7.20	6.05	6.65
10	4.50	7.70	6.55	7.15
11	5.00	8.20	7.05	7.65
12	5.50	8.70	7.55	8.15
13	6.00	9.20	8.05	8.65
14	6.50	9.70	8.55	9.15
15	7.00	10.20	9.05	9.65
16	7.50	10.70	9.55	10.15
17	8.00	11.20	10.05	10.65
18	8.50	11.70	10.55	11.15
19	9.00	12.20	11.05	11.65
20	9.50	12.70	11.55	12.15
21	10.00	13.20	12.05	12.65
22	10.50	13.70	12.55	13.15
23	11.00	14.20	13.05	13.65
24	11.50	14.70	13.55	14.15
25	12.00	15.20	14.05	14.65
26	12.50	15.70	14.55	15.15
27	13.00	16.20	15.05	15.65
28	13.50	16.70	15.55	16.15
29	14.00	17.20	16.05	16.65
30	14.50	17.70	16.55	17.15



Halogen-Free
Lead Free Process
RoHS Compliant

CVILUX
2021.12.30
ISSUED

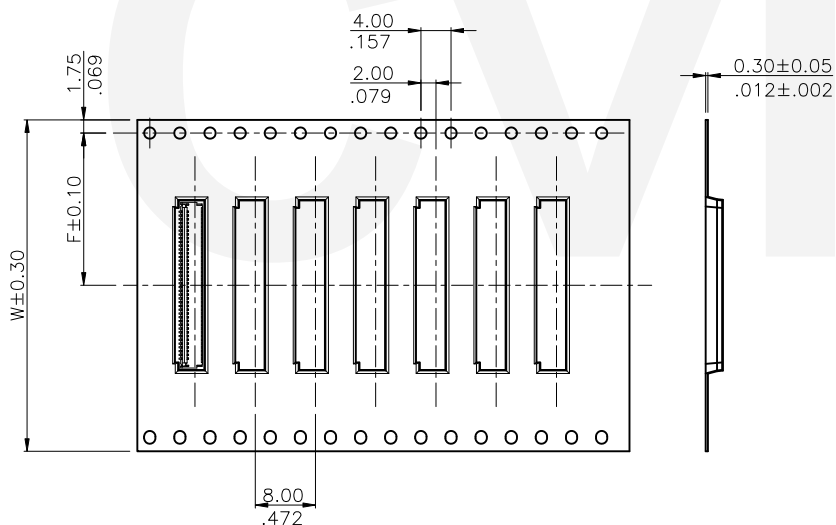
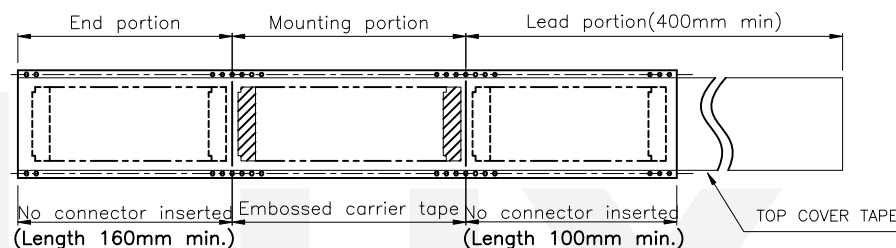
4					DATE	UNIT: mm / inch	TITLE: 0.50mm(.020") ZIF FFC/FPC BACK FLIP CONNECTOR	 瀚荃股份有限公司 CviLux Corporation
3				DRAWN BY: Sun	12/23-21'	TOLERANCE UNLESS OTHERWISE SPECIFIED	MATERIAL:	
2	Sun	12/23-21	ECNT121317	ENGINEER: Sun	12/23-21'	.X ± 0.20/.008 X' ±	FINISH:	DRAWING NO. CF8701SC PART NO. CF87***H0R0-05-NH
1	Eric	9/14-21'	ECRH121050/ECNT121238	CHECKED BY: Eisley	12/24-21'	.XX ± 0.15/.006 X' ± 1'		CF87***H0G0-05-NH
SYM	NAME	DATE	REVISIONS	APPROVED BY: Eisley	12/24-21'	.XXX ± XX' ±	SCALE 10 / 1	SHEET 2 OF 3



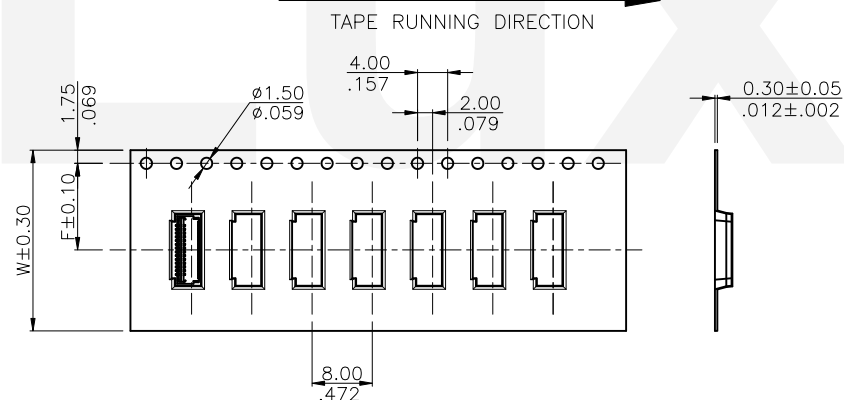
NOTE :

- * Reel Material : Corrugated Paper or HIPS
- * Carrier Material : Clear, Conductive Polystyrene Alloy
- * Cover Tape Material : Polyester
- * Cover Tape Peel Strength : 0.1N – 1.3N
- * Carrier camber is within 1mm in 100mm
- * All dimensions meet EIA-481-2 & EIA-481-3 requirements
- * Quantity : 3500 PCS/Reel

Circuits	Dimension					Packing (Reel/Carton)
	W	F	W1	W2	W3	
4-10	16.0(.630)	7.50(.295)	16.5(.650)	22.5(.885)	16.5(.650)	11
11-25	24.0(.945)	11.50(.453)	24.5(.965)	30.5(1.200)	24.5(.965)	9
27-30	32.0(1.260)	14.20(.559)	32.5(1.280)	38.5(1.516)	32.5(1.280)	7




WIDTH : 32 mm Carrier
(SCALE 1:8)



WIDTH : 16, 24 mm Carrier
(SCALE 1:8)

RoHS Compliant

CVILUX
2021.12.30
ISSUED

4					DATE	UNIT: mm / inch	TITLE: 0.50mm(.020") ZIF FFC/FPC BACK FLIP CONNECTOR	 瀚荃股份有限公司 CviLux Corporation	DRAWING NO. CF8701SC	PART NO. CF87***H0R0-05-NH CF87***H0G0-05-NH
3				DRAWN BY: Sun	12/23-21'	TOLERANCE UNLESS OTHERWISE SPECIFIED	MATERIAL:			
2	Sun	12/23-21	ECNT121317	ENGINEER: Sun	12/23-21'	.X ± 0.15/006 X' ±	FINISH:	SCALE 10 / 1	SHEET 3 OF 3	
1	Eric	9/14-21'	ECRH121050/ECNT121238	CHECKED BY: Eisley	12/24-21'	.XX ± 0.10/004 X' ± 1'				
SYM	NAME	DATE	REVISIONS	APPROVED BY: Eisley	12/24-21'	.XXX ± XX' ±				