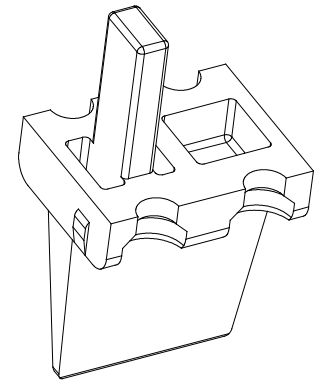
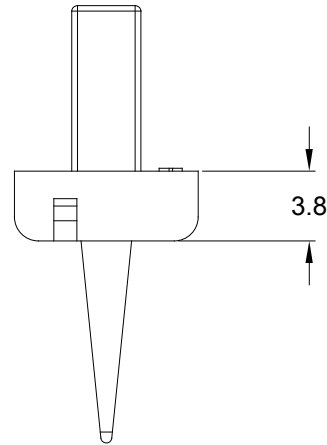
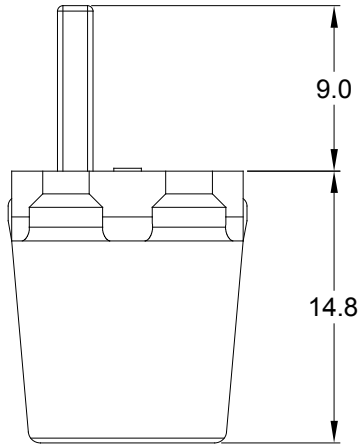
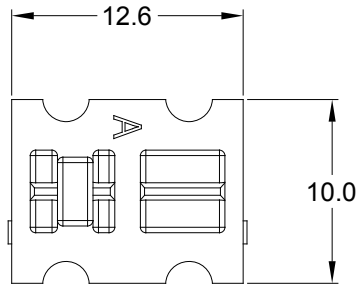


REVISIONS					
REV	ECO	DESCRIPTION	DATE	BY	APPR
A1	--	RELEASE DRAWING	05/DEC/19	SULLEN	TOMMY



NOTES: UNLESS OTHERWISE SPECIFIED

1. MATERIAL: THERMOPLASTIC; COLOR: SEE SHEET 2
2. RoHS COMPLIANT
3. CAVITIES: 4
4. KEYED: SEE SHEET 2
5. USE WITH CONNECTORS ATP04-4P*
(* = MODIFICATIONS AND COLORS)
6. ALL DIMENSIONS ARE FOR REFERENCE USE ONLY.

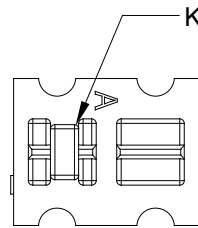
	SEE SHEET 2		
QUANTITY	PART NUMBER	DESCRIPTION	ITEM

MATERIALS LIST

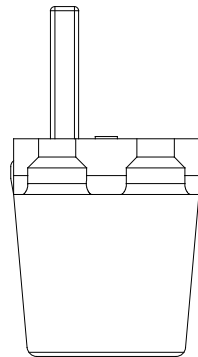
<p>UNLESS OTHERWISE SPECIFIED</p> <p>1) All dimensions are in metric(mm).</p> <p>2) Tolerances are as follows: 1 PL DEC ±0.30 Fractions ±1/64 2 PL DEC ±0.15 Angles ±1° 3 PL DEC ±0.08</p> <p>3) Note reference = </p>		<p>SIGNATURES DATE</p> <p>DRAWN: SULLEN.ZHANG 05/DEC/19</p> <p>CHECKED: ORION.LI 05/DEC/19</p> <p>ENGINEER:</p> <p>APPROVAL: TOMMY.XIE 05/DEC/19</p> <p>CUSTOMER:</p>		<p>Amphenol</p> <p>Sine Systems - www.amphenol-sine.com 44724 Morley Drive Clinton Township, MI 48036</p>	
<p>MATERIAL SPECIFICATIONS:</p>		<p>THIS DRAWING IS SUPPLIED FOR INFORMATION ONLY. DESIGN FEATURES, SPECIFICATIONS AND PERFORMANCE DATA SHOWN HEREON ARE THE PROPERTY OF THE AMPHENOL CORPORATION. NO RIGHTS OF REPRODUCTION ARE IMPLIED. ALL DIMENSIONS ARE SUBJECT TO NORMAL MANUFACTURING VARIATIONS.</p>			
<p>PROCESS SPECIFICATIONS:</p>		<p>SIZE TYPE DWG NO: REVISION</p> <p>A C- AWP-4PX A1</p>		<p>P-WEDGELOCK,4 POS,ATP SERIES</p>	
<p>NEXT ASSY:</p>		<p>SCALE: NONE</p>		<p>SHEET 1 OF 2</p>	

REVISIONS

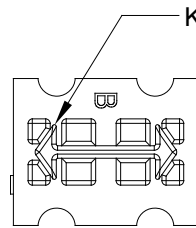
REV	ECO	DESCRIPTION	DATE	BY	APPR
A1	--	RELEASE DRAWING	05/DEC/19	SULLEN	TOMMY



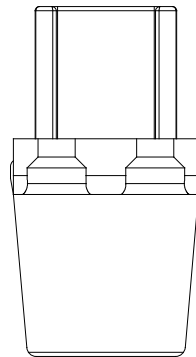
KEYED A



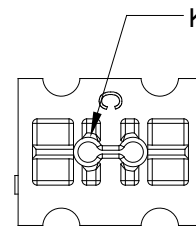
AWP-4PA
GRAY



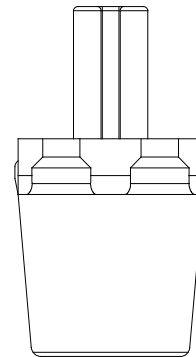
KEYED B



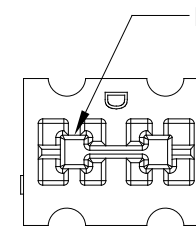
AWP-4PB
BLACK



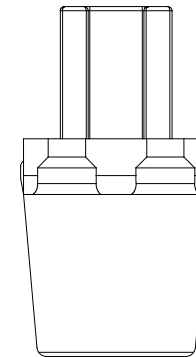
KEYED C



AWP-4PC
GREEN



KEYED D



AWP-4PD
BROWN

AWP-4PX			
QUANTITY	PART NUMBER	DESCRIPTION	ITEM

MATERIALS LIST

UNLESS OTHERWISE SPECIFIED

- 1) All dimensions are in metric(mm).
- 2) Tolerances are as follows:
 1 PL DEC ±0.30 Fractions ±1/64
 2 PL DEC ±0.15 Angles ±1°
 3 PL DEC ±0.08

3) Note reference = X

MATERIAL SPECIFICATIONS:

PROCESS SPECIFICATIONS:

NEXT ASSY:

SIGNATURES	DATE
DRAWN: SULLEN.ZHANG	05/DEC/19
CHECKED: ORION.LI	05/DEC/19
ENGINEER:	
APPROVAL: TOMMY.XIE	05/DEC/19
CUSTOMER:	

THIS DRAWING IS SUPPLIED FOR INFORMATION ONLY. DESIGN FEATURES, SPECIFICATIONS AND PERFORMANCE DATA SHOWN HEREON ARE THE PROPERTY OF THE AMPHENOL CORPORATION. NO RIGHTS OF REPRODUCTION ARE IMPLIED. ALL DIMENSIONS ARE SUBJECT TO NORMAL MANUFACTURING VARIATIONS.

Amphenol

Sine Systems - www.amphenol-sine.com
 44724 Morley Drive
 Clinton Township, MI 48036

P-WEDGELOCK,4 POS,ATP SERIES

SIZE	TYPE	DWG NO:	REVISION
A	C-	AWP-4PX	A1
SCALE: NONE		SHEET 2 OF 2	