

4

3

2

1

THIS DRAWING IS UNPUBLISHED.

RELEASED FOR PUBLICATION

20

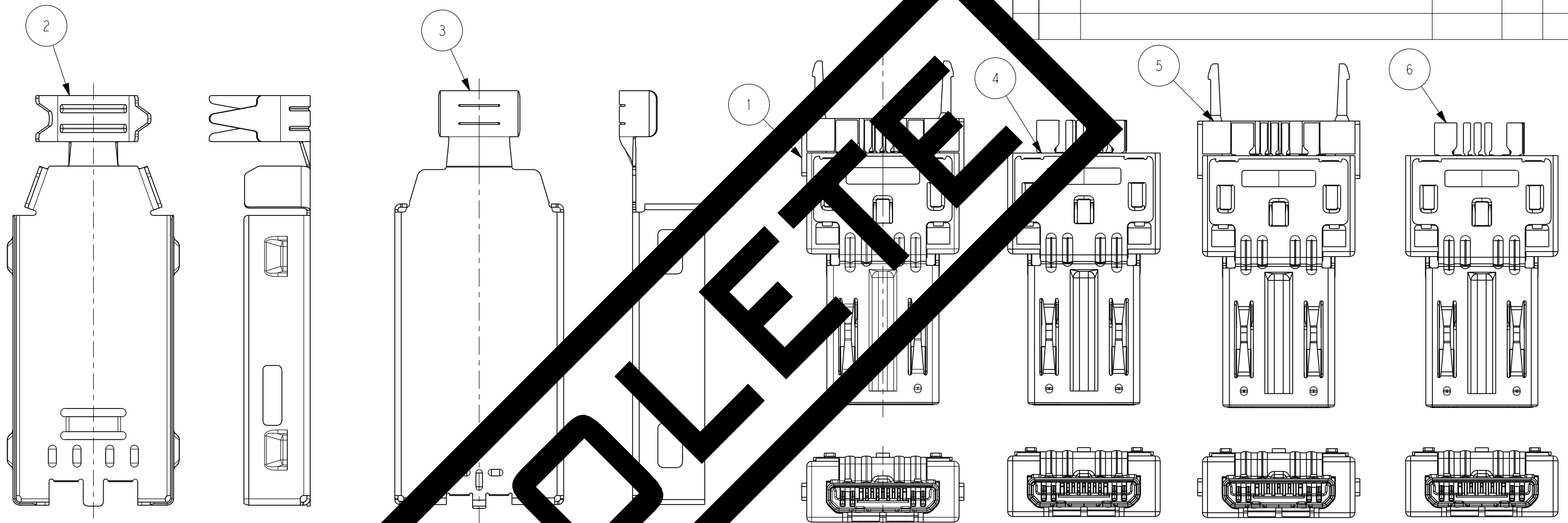
REVISIONS

© COPYRIGHT 20 BY -

ALL RIGHTS RESERVED.

P	LTR	DESCRIPTION	DATE	DWN	APVD
A		ECR-15-013671	17SEP2015	B.L	H.W

REFERENCE: COVER SHELL ASSEMBLY



5+4 / FOR PCB SOLDER	2-2199225-4	COVER SHELL (BOTTOM)	2199301-2	1	③
		COVER SHELL (TOP)	2199297-2	1	②
		SEMI PLUG ASSY	1-2199225-2	1	⑥
5+4 / FOR WIRE SOLDER	2-2199225-3	COVER SHELL (BOTTOM)	2199301-2	1	③
		COVER SHELL (TOP)	2199297-2	1	②
		SEMI PLUG ASSY	1-2199225-1	1	⑤
5+4+4 / FOR PCB SOLDER	2-2199225-2	COVER SHELL (BOTTOM)	2199301-2	1	③
		COVER SHELL (TOP)	2199297-2	1	②
		SEMI PLUG ASSY	2199225-2	1	④
5+4+4 / FOR WIRE SOLDER	2-2199225-1	COVER SHELL (BOTTOM)	2199301-2	1	③
		COVER SHELL (TOP)	2199297-2	1	②
		SEMI PLUG ASSY	2199225-1	1	①
APPLICABLE CABLE ASSY	PART NO. FOR KIT	DESCRIPTION	PART NO.	QTY	ITEM

- ITEM 2, 3 ARE IN ASSEMBLY
- PACKAGING QUANTITY: 100
- MATERIAL:
 - REFER TO NOTE 3.
 - TOP SHELL: STAINLESS STEEL, THICKNESS=0.3±0.015.
 - BOTTOM SHELL: STAINLESS STEEL, THICKNESS=0.3±0.015.

THIS DRAWING IS A CONTROLLED DOCUMENT.

DIMENSIONS:	TOLERANCES UNLESS OTHERWISE SPECIFIED:
mm	
	0 PLC ±0.25
	1 PLC ±0.25
	2 PLC ±0.15
	3 PLC ±0.15
	4 PLC ±0.15
	ANGLES ±3°
MATERIAL SEE NOTE 3	FINISH SEE NOTE 4

DWN N. TSAI	17-Sep-15
CHK G. SHIH	17-Sep-15
APVD M. CHAO	17-Sep-15
PRODUCT SPEC	108-115055
APPLICATION SPEC	501-
WEIGHT	-
Customer Drawing	

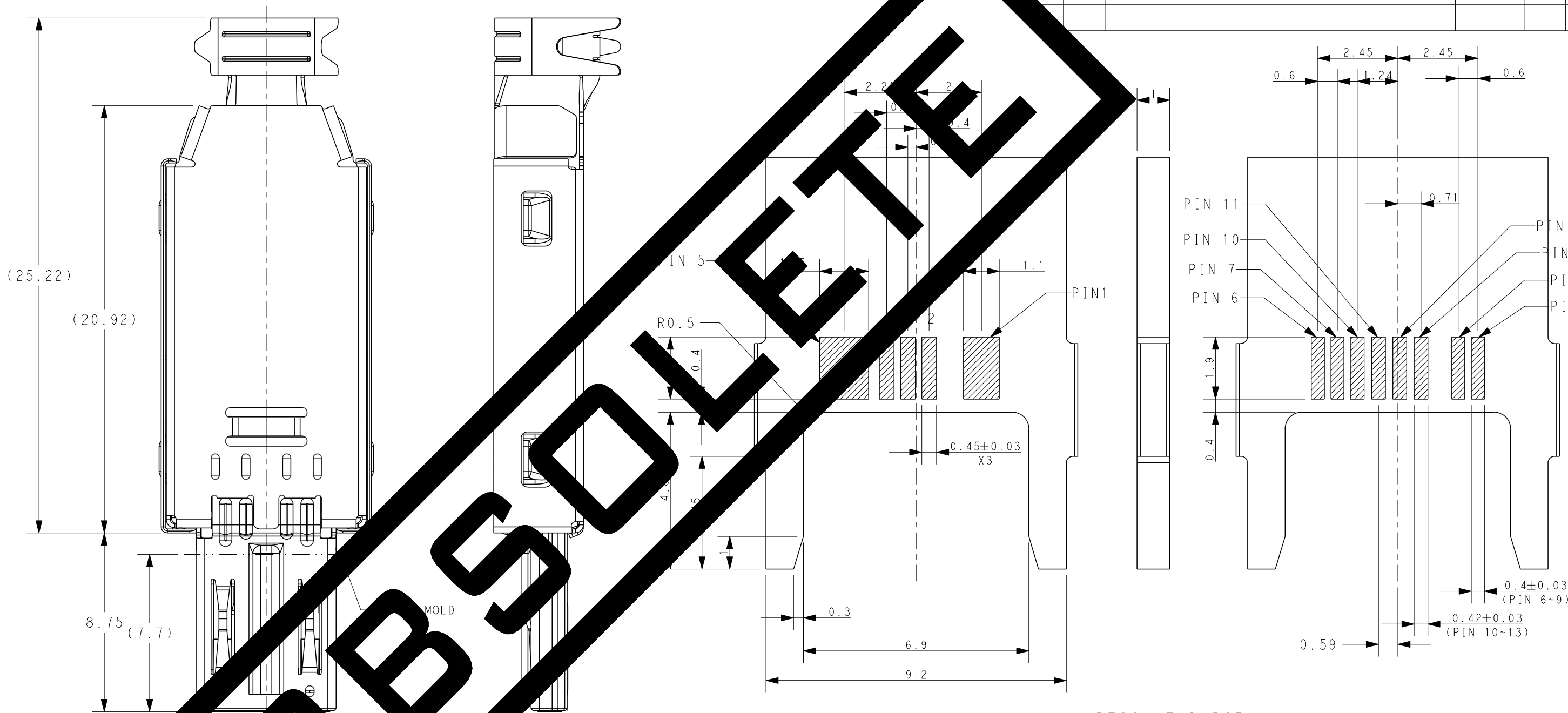
TE Connectivity		NAME		RESTRICTED TO
		MULTI I/O 5+4+4 CABLE PLUG KIT		
SIZE	CAGE CODE	DRAWING NO		
A300779	C-2199225			
SCALE 4:1		SHEET 1 OF 3	REV A	

D
C
B
A

REVISIONS

P	LTR	DESCRIPTION	DATE	DWN	APVD
-	-	SEE SHEET 1	-	-	-

REFERENCE: COVER SHELL ASSEMBLY

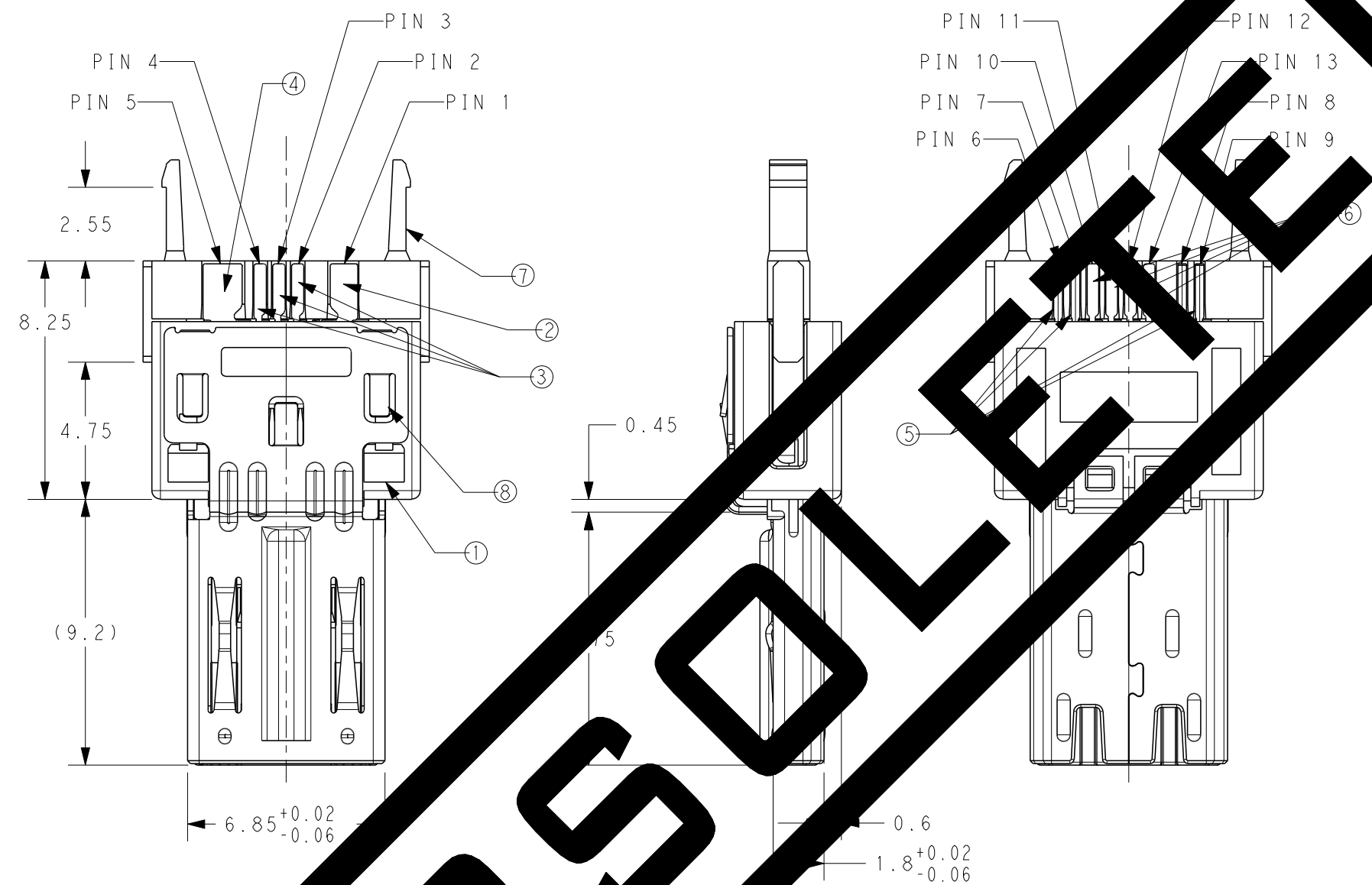


RECOMMEND PCB FOR PCB SOLUTION TOLERANCE: ±0.05

THIS DRAWING IS A CONTROLLED DOCUMENT.		DWN	-	STE TE Connectivity	
		CHK	-		
DIMENSIONS: mm		APVD	-	NAME MULTI I/O 5+4+4 CABLE PLUG KIT	
TOLERANCES UNLESS OTHERWISE SPECIFIED:		PRODUCT SPEC	-	SIZE	
0 PLC	±0.25	APPLICATION SPEC	-	CAGE CODE	DRAWING NO
1 PLC	±0.25		-	A300779	C-2199225
2 PLC	±0.15	WEIGHT	-	RESTRICTED TO	
3 PLC	±0.15		-	-	
4 PLC	±0.15		-	-	
ANGLES	±3°		-	-	
MATERIAL	-		-	Customer Drawing	
FINISH	-		-	SCALE	5:1
				SHEET	2 OF 3
				REV	A

THIS DRAWING IS UNPUBLISHED. RELEASED FOR PUBLICATION 20
 © COPYRIGHT 20 BY - ALL RIGHTS RESERVED.

REVISIONS					
P	LTR	DESCRIPTION	DATE	DWN	APVD
-	-	SEE SHEET 1	-	-	-



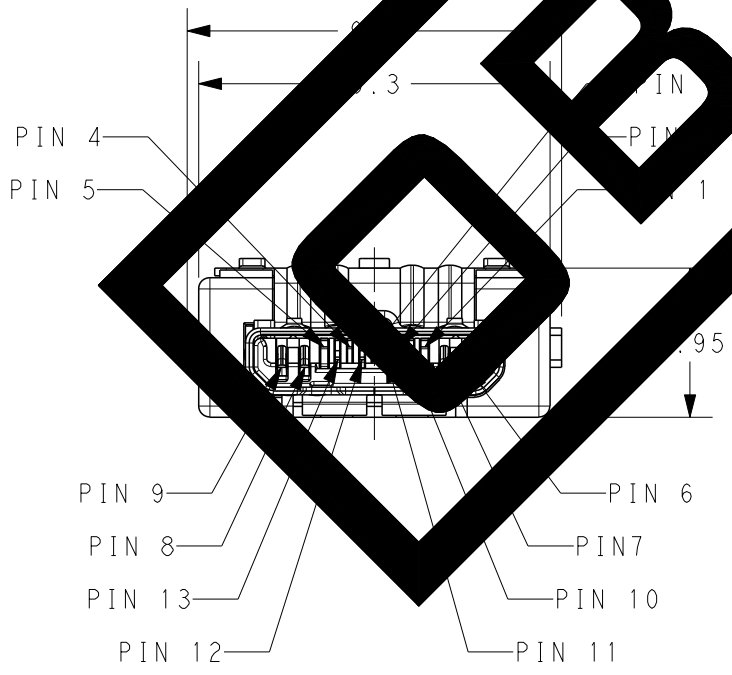
REFERENCE: SEMI ASSEMBLY

1. MATERIAL:
- ① HOUSING: HIGH TEMPERATURE THERMOPLASTIC, UL94 V-0, COLOR: BLACK.
 - ② USB POWER CONTACT (PIN1): COPPER ALLOY, THICKNESS=0.2±0.015.
 - ③ USB 2 SIGNAL CONTACT (PIN2~4): COPPER ALLOY, THICKNESS=0.127±0.015.
 - ④ USB GROUND CONTACT (PIN5): COPPER ALLOY, THICKNESS=0.2±0.015.
 - ⑤ USB 3 CONTACT (PIN6~9): COPPER ALLOY, THICKNESS=0.2±0.015.
 - ⑥ SIGNAL PIN10~13: COPPER ALLOY THICKNESS=0.127±0.015.
 - ⑦ TINE PLATE: HIGH TEMPERATURE THERMOPLASTIC, UL94 V-0, COLOR: BLACK.
 - ⑧ FOUNT SHELL: STAINLESS STEEL, THICKNESS=0.2±0.015.
2. FINISH:
- CONTACT: 0.75um[30u"] MIN. GOLD PLATING ON CONTACT AREA AND 2.5um[100u"] MIN. TIN ON SOLDER AREA OVER 1.3um[50u"] MIN. NICKEL UNDER PLATING.
 - SHELL: NON-PLATED.

PIN NO.	SIGNAL NAME
13	CONTROL -4
12	CONTROL -3
11	CONTROL -2
10	CONTROL -1
9	StdA_SSTX+
8	StdA_SSTX-
7	StdA_SSRX+
6	StdA_SSRX-
5	GND-uUSB
4	ID
3	D+
2	D-
1	VBUS

PIN DEFINITION (REFERENCE)

1	BASE SHELL	8
1	TINE PLATE	7
4	CONTACT PIN10~13	6
1	CONTACT PIN 6,7,8,9	5
3	CONTACT PIN 5	4
1	CONTACT PIN 2,3,4	3
4	CONTACT PIN 1	2
1	HOUSING	1
QTY	DESCRIPTION	ITEM



THIS DRAWING IS A CONTROLLED DOCUMENT.

DIMENSIONS: mm	TOLERANCES UNLESS OTHERWISE SPECIFIED:	DWN	TE Connectivity
	0 PLC ±0.25	CHK	
	1 PLC ±0.25	APVD	
MATERIAL	2 PLC ±0.15	PRODUCT SPEC	
	3 PLC ±0.15	APPLICATION SPEC	MULTI I/O 5+4+4 CABLE PLUG KIT
	4 PLC ±0.15	WEIGHT	SIZE
	ANGLES ±3°	Customer Drawing	CAGE CODE
		SCALE	DRAWING NO
		5:1	A300779C-2199225
		SHEET	RESTRICTED TO
		3 OF 3	-
		REV	A