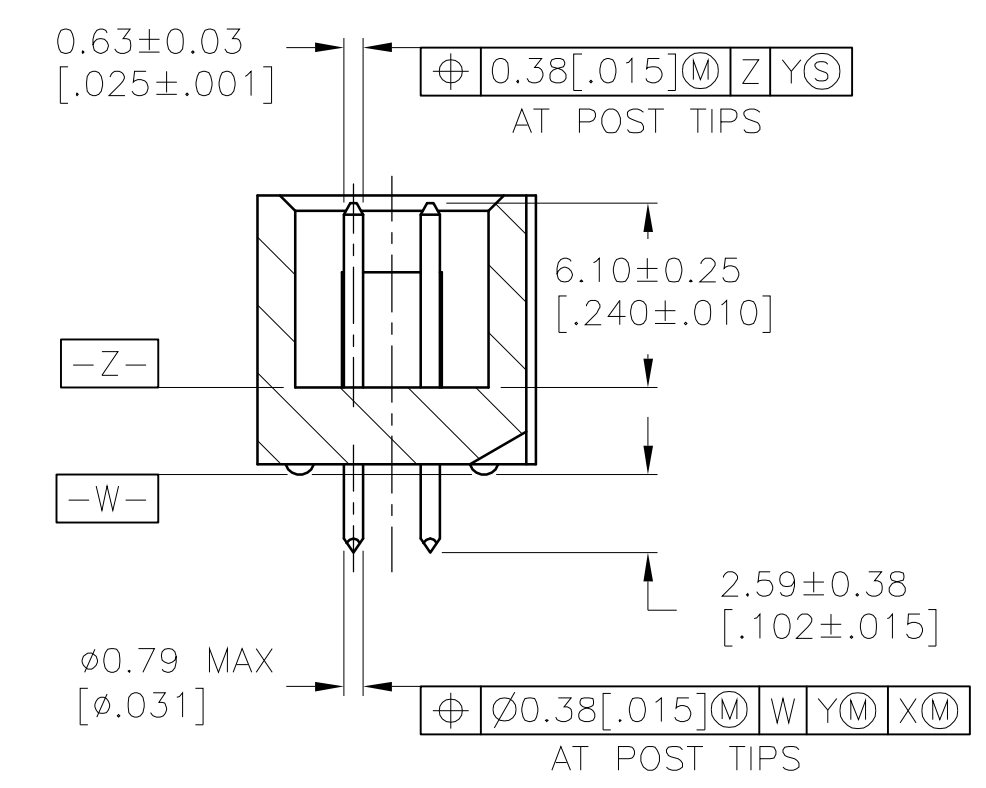
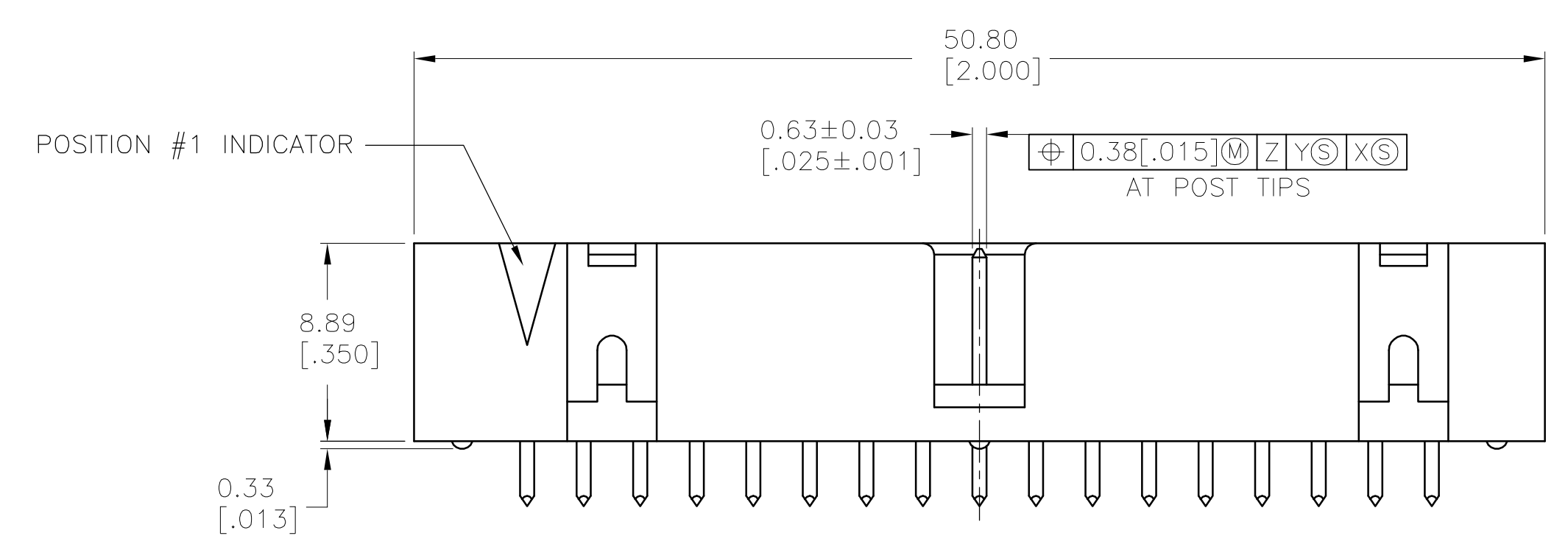
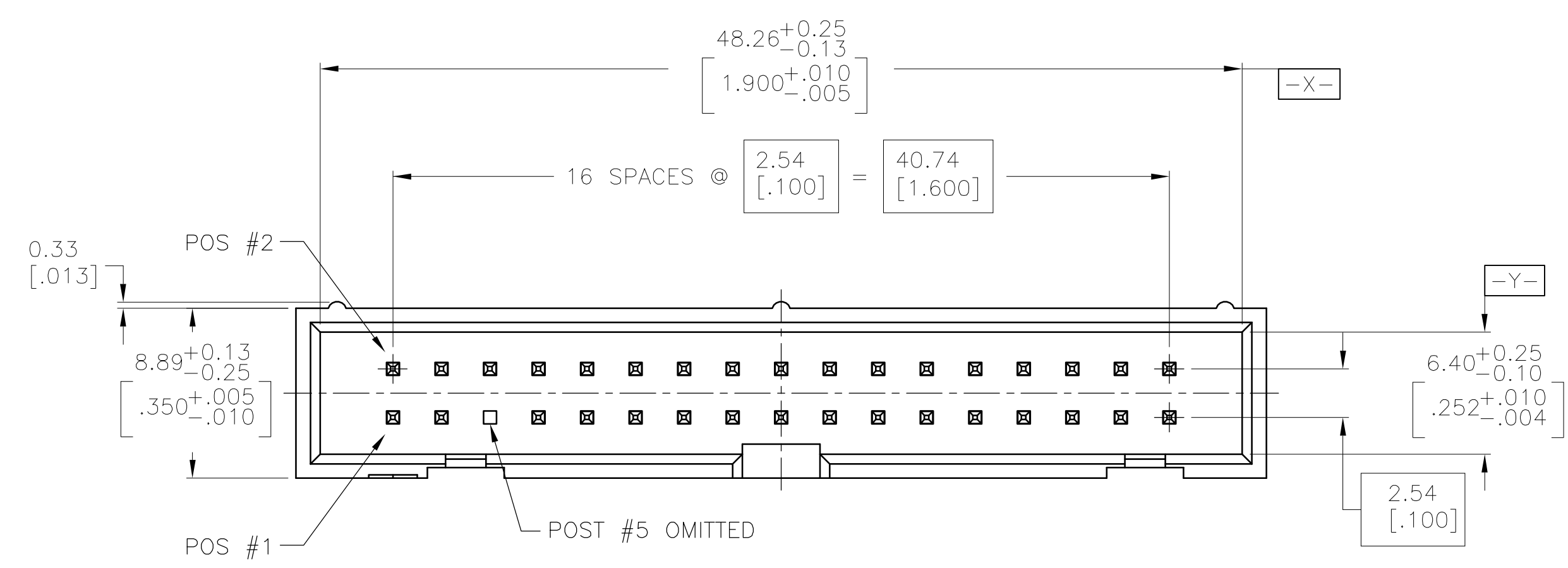
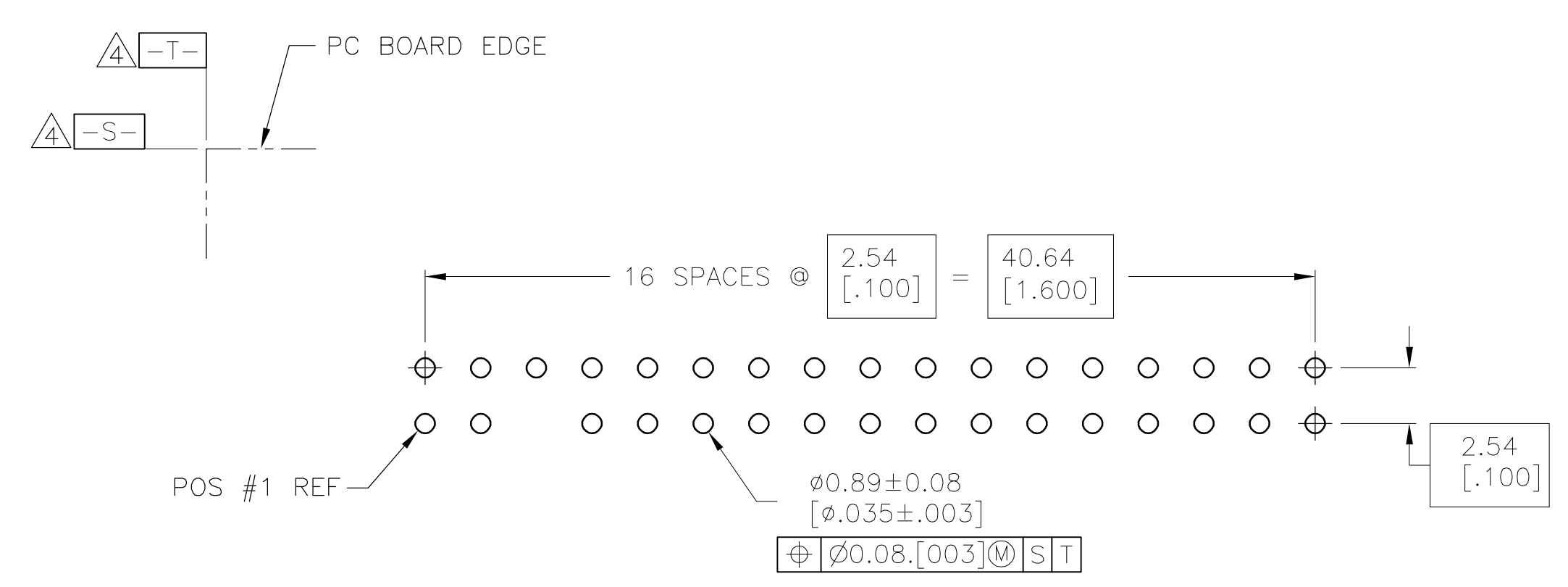


LOC		DIST		REVISIONS			
GP	00	REV	DATE	BY	APP'D		
A		REVISED PER EC	0512-0210-05	19JUL06	BM	SB	



- △ HOUSING: PBT, UL94V-0, COLOR BLACK.
- POSTS: PHOSPHOR BRONZE.
- △ GOLD FLASH ON MATING AREA, 0.00254[.000100] MIN TIN ON SOLDER END, ALL OVER 0.00127[.000050] MIN NICKEL ON ENTIRE POST.
- △ 0.00038[.000015] MIN GOLD ON MATING AREA, 0.00254[.000100] MIN TIN ON SOLDER END, ALL OVER 0.00127[.000050] MIN NICKEL ON ENTIRE POST.
- △ DATUMS S & T TO BE ESTABLISHED BY CUSTOMER.



RECOMMENDED PC BOARD LAYOUT  
(VIEWED FROM CONNECTOR SIDE)

OBSELETE	△	1761664-2
	△	1761664-1
	△	PART NUMBER

THIS DRAWING IS A CONTROLLED DOCUMENT.		DIN J.GERACE 26APROS	Tyco Electronics Corporation Harrisburg, Pa 17105
DIMENSIONS: MM[INCHES]		CIK S.BOLASH 26APROS	
TOLERANCES UNLESS OTHERWISE SPECIFIED:		APVD M.WALMSLEY 26APROS	NAME
0 PLC ± -			HEADER ASSEMBLY, VERTICAL, 34 POS, LOW PROFILE, SELECTIVELY LOADED, IDC
1 PLC ± -			PRODUCT SPEC
2 PLC ± -			APPLICATION SPEC
3 PLC ± 0.13[.005]			SIZE
4 PLC ± ± -			WEIGHT
ANGLES ± ± -			RESTRICTED TO
MATERIAL	FINISH POSTS: SEE TABLE	SCALE 4:1	SHEET 1 OF 1
CUSTOMER DRAWING		DRAWING NO. A1 00779	REV A
		DRAWING NO. C=1761664	