



Single Port RJ45

AR11-4527I

- 10/100 Base-T for LAN and other Ethernet Applications
- RJ45 Jack cavity conforms to FCC rules and regulations Part 68, SUB Part F
- Industrial Operating Temp: -40°C +85°C



Electrical Specifications @ 25°C

OCL(μH Min) @100KHz, 0.1V	Turns Ratio (±2%)		Insertion Loss (dB Max)	Cross Talk (dB Min)
With 8mA DC Bias	P1-P3 : J1-J2	P4-P9 : J3-J6	1-100MHz	1-100MHz
350	1:1	1:1	-1.0	-30

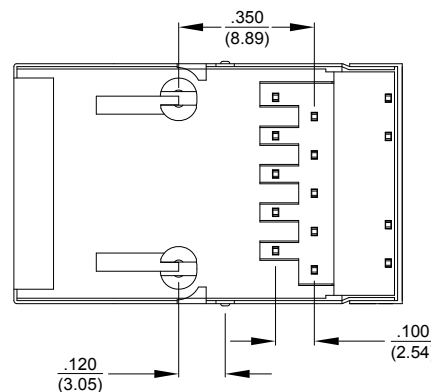
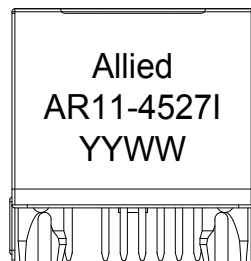
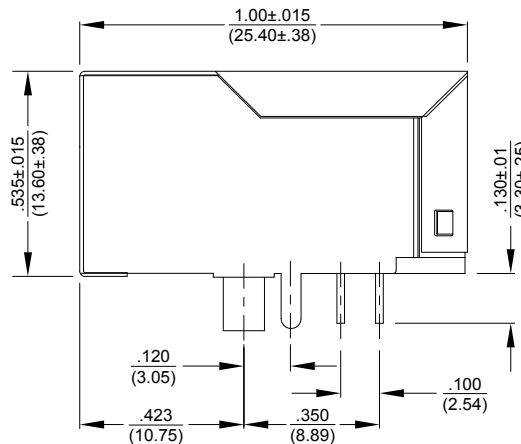
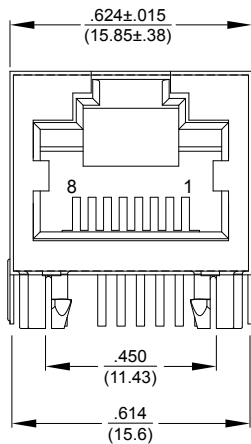
Electrical Specifications @ 25°C

Return Loss (dB Min)				CMR (dB Min)	Hi-Pot Input-Output
1-30MHz	30-60MHz	60-80MHz	80-100MHz	1-100MHz	
-18	-16	-12	-10	-30	1500VAC,1mA,60S

All specifications subject to change without notice.

MECHANICAL

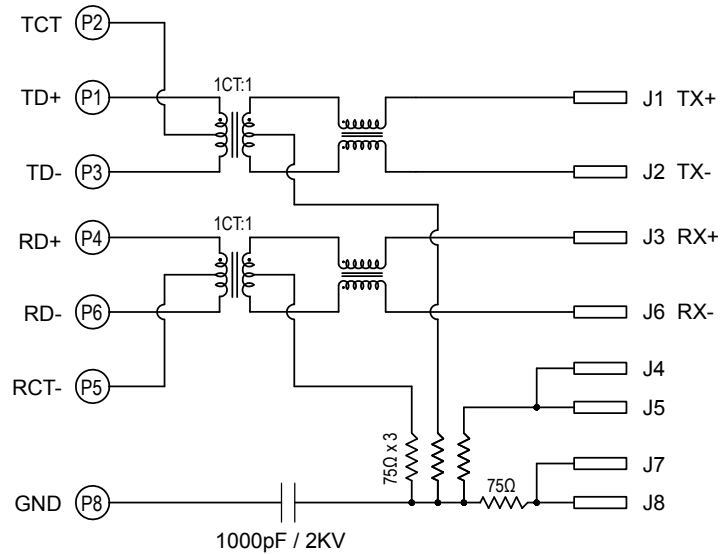
Dimensions:  $\frac{\text{inch}}{\text{mm}}$



Unless otherwise specified, tolerance is ±.008(±0.20)

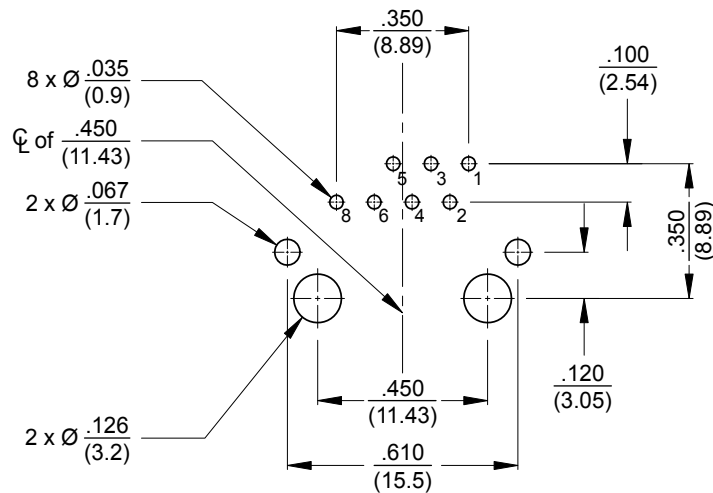


**SCHEMATIC**



**PCB LAYOUT**

Dimensions:  $\frac{\text{inch}}{\text{(mm)}}$



Unless otherwise specified, tolerance is  $\pm .008(\pm 0.20)$

**NOTES**

- 1. Shield:** 0.20mm Thickness Brass C2680H.  
Plating Nickel 20 $\mu$ " Min.
- 2. Housing:** Standard Material Nylon66, Glass Filled Polyester UL94V-0 Standard Color Black.
- 3. Insert Pin:** Plastic: Nylon66 UL94V-0 Standard Color Black  
Pin: 0.35mm Thickness Phosphor Bronze C5210 EH.  
Plating: Nickel 30 $\mu$ " - 60 $\mu$ " For All And Sn 100%,  
And Gold Plating 30 $\mu$ ".
- 4. Contact Pin:** Plastic: Nylon66, Glass Filled, UL94V-0, Standard Color Black  
Pin: 0.35 Thickness SUS430  
Plating: Nickel 30 $\mu$ " - 60 $\mu$ " For All And SN 100%