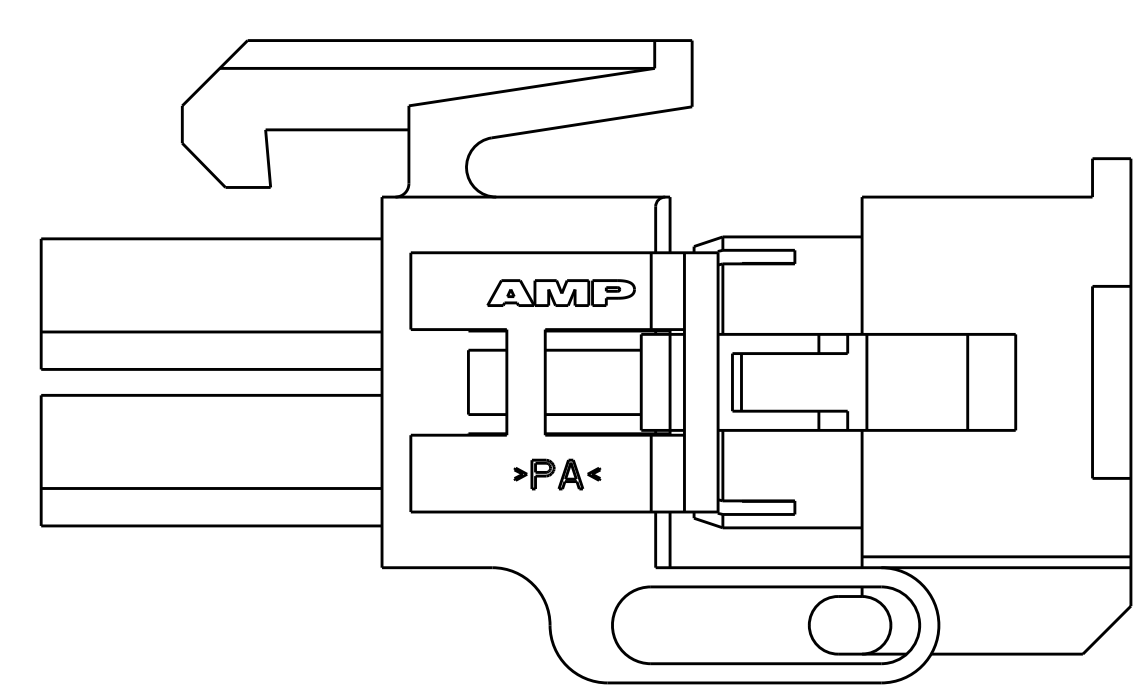
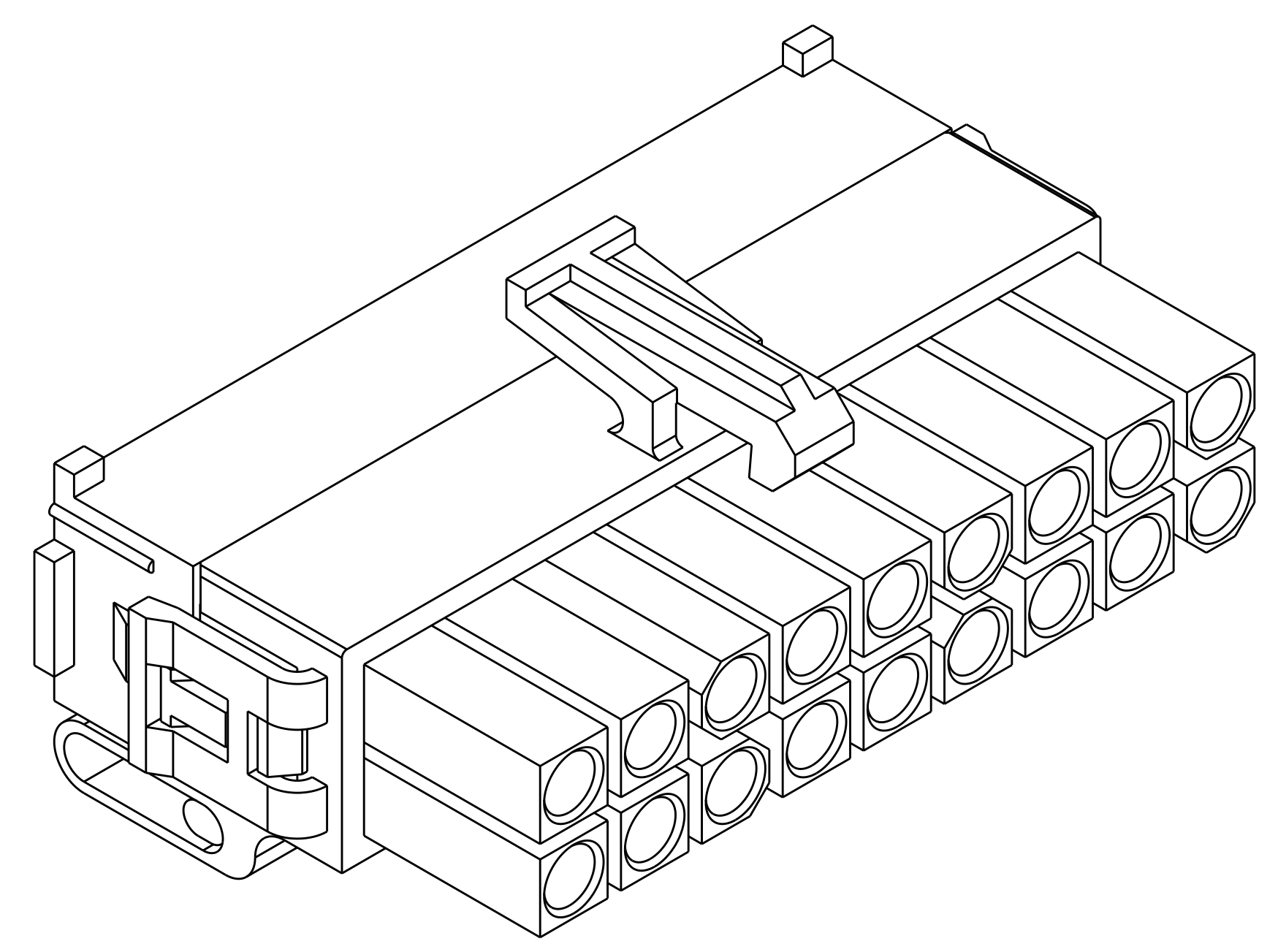
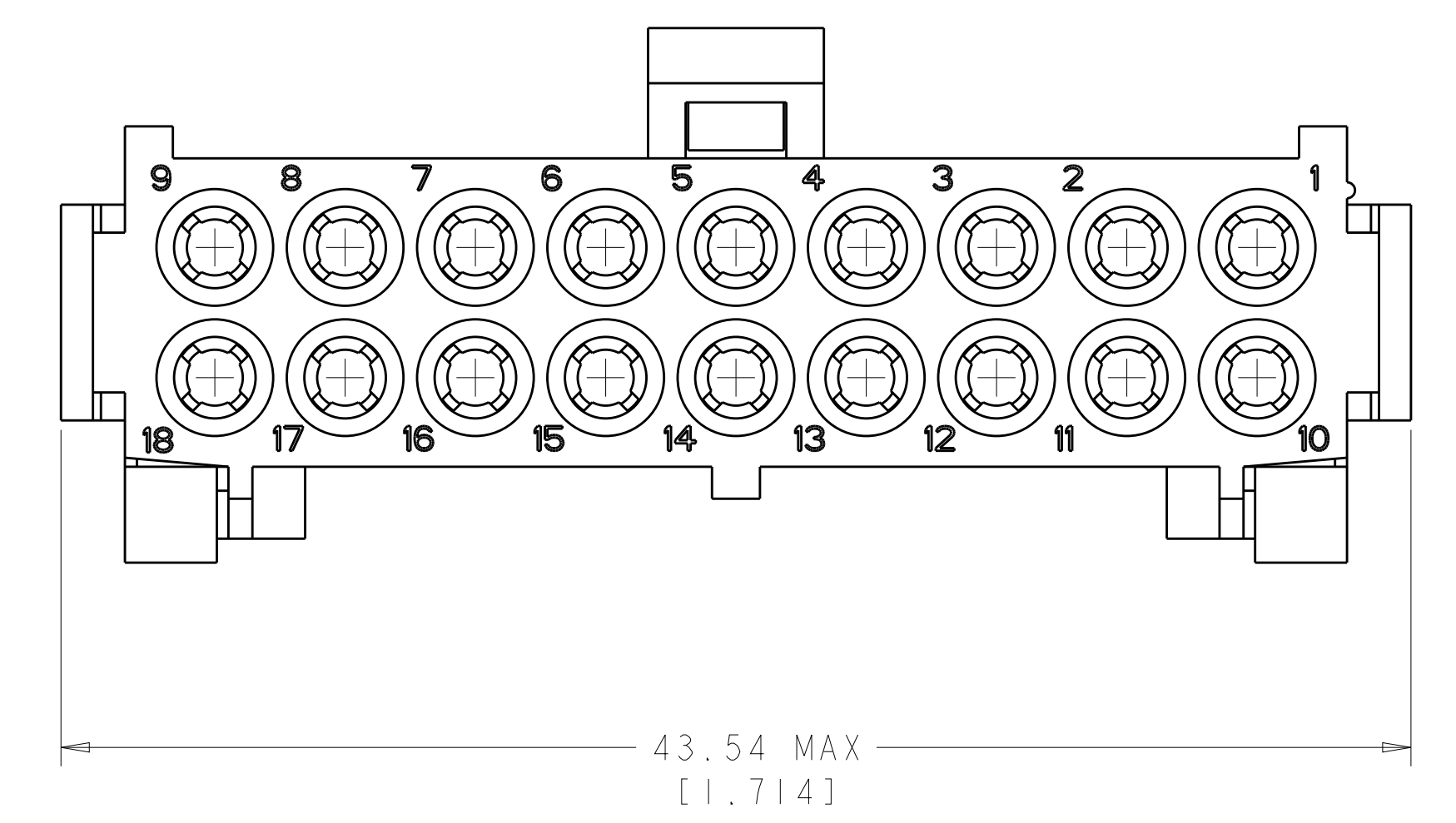
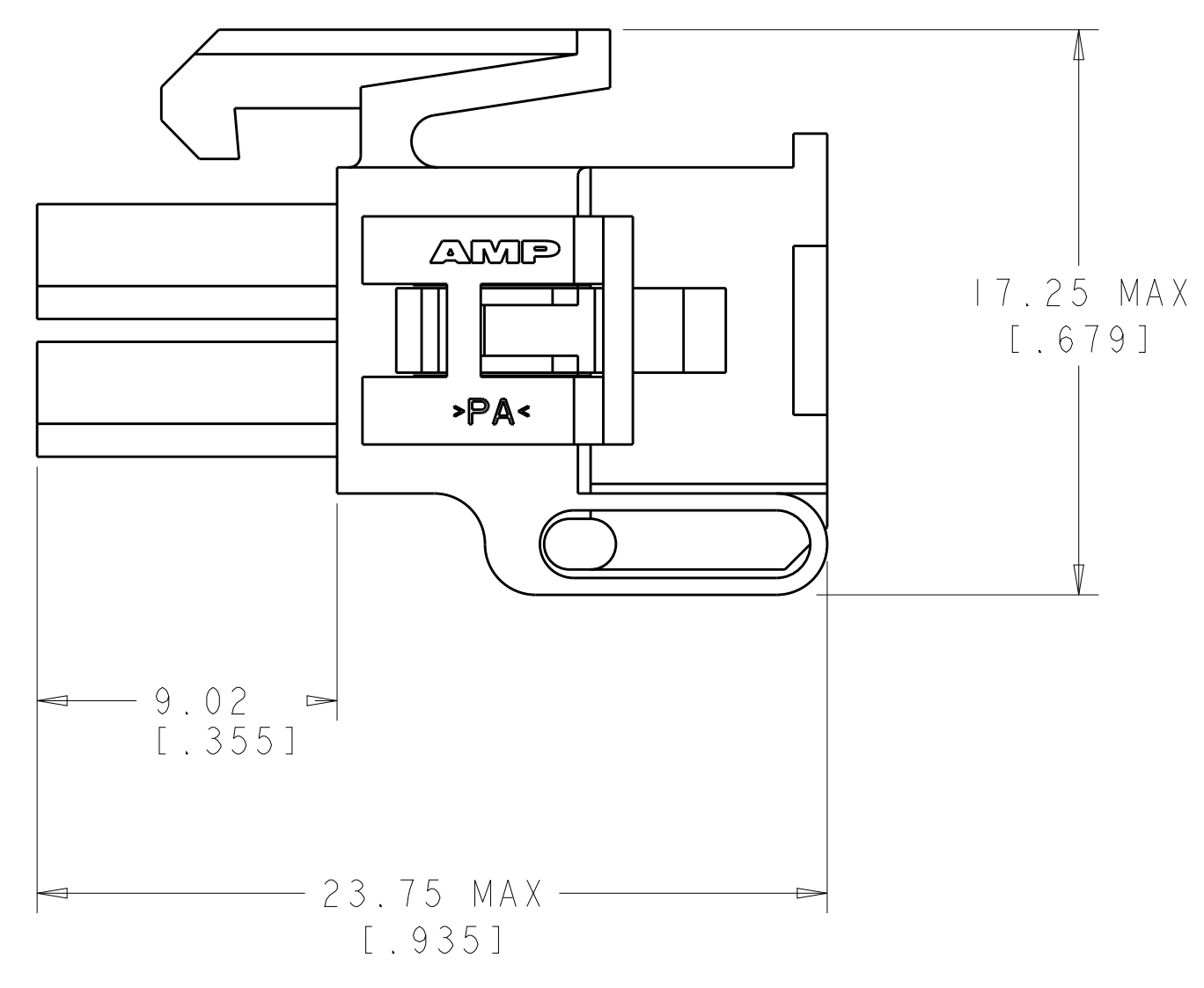
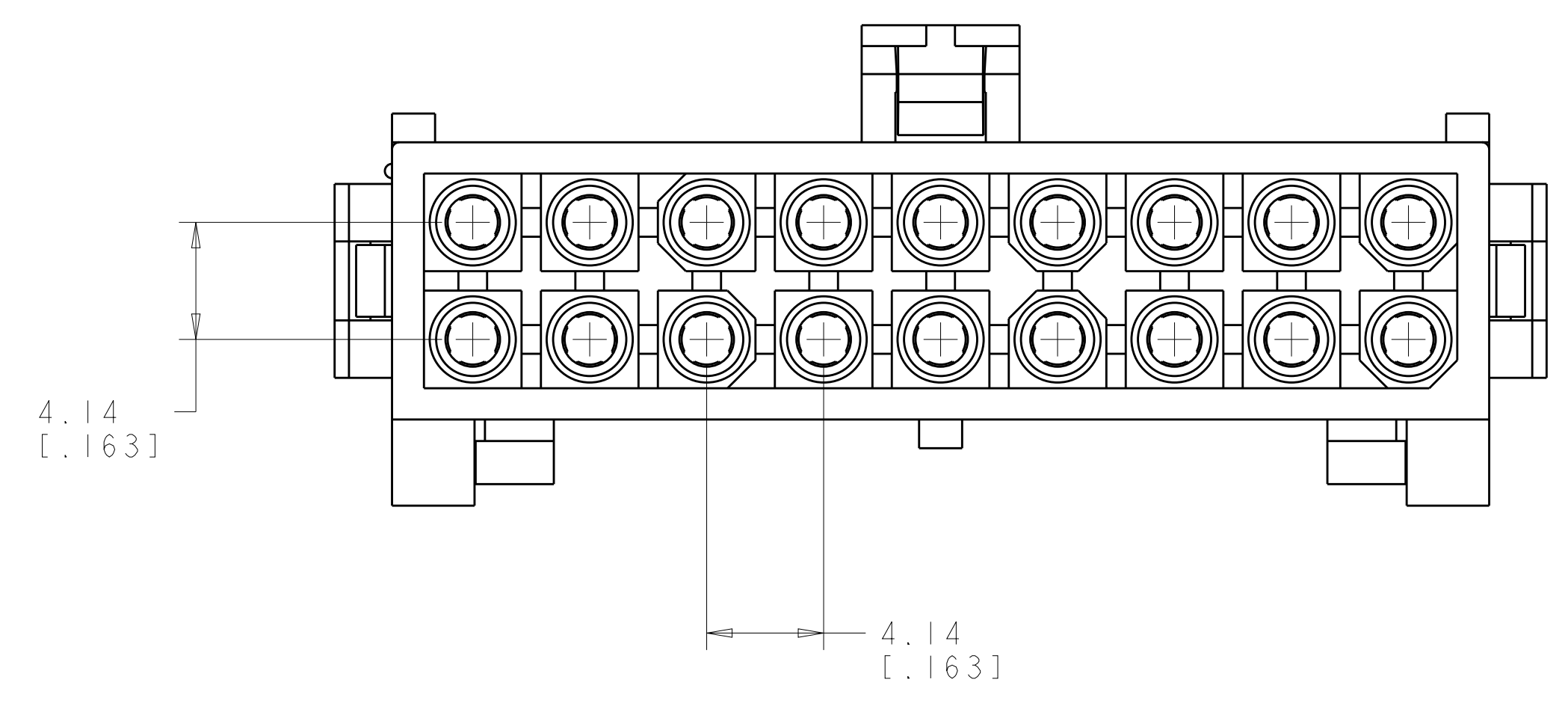


LOC	DIST	REVISIONS			
P	LTN	DESCRIPTION	DATE	DWN	APVD
C1		REVISED PER ECR 10-025344	23FEB11	JR	TM
C2		REVISED PER ECR-19-010591	17JUL2019	BKW	SW



PRE-STAGED CONDITION



0.296 IN <sup>3</sup>	794208-1
VOLUME	PART NUMBER

<small>THIS DRAWING IS UNPUBLISHED. RELEASED FOR PUBLICATION. IT IS THE PROPERTY OF TYCO ELECTRONICS CORPORATION AND IS TO BE USED FOR THE EXCLUSIVE USE OF THE CUSTOMER. IT IS TO BE RETURNED TO TYCO ELECTRONICS CORPORATION IF IT IS NOT TO BE USED FOR THE EXCLUSIVE USE OF THE CUSTOMER.</small>		DWN K. WHITAKER 01AUG2007	Tyco Electronics Harrisburg, PA 17105-3608
DIMENSIONS: mm [ INCHES ]		CHK C. JONES 01AUG2007	
TOLERANCES UNLESS OTHERWISE SPECIFIED: 0 PLC ± 1 PLC ± 2 PLC ±0.13 (1.005) 3 PLC ± 4 PLC ± ANGLES ±40°30'		APVD C. JONES 01AUG2007	NAME PRODUCT SPEC APPLICATION SPEC
MATERIAL: NYLON UL 94V-0, NATURAL		FINISH -	PLUG, DUAL ROW, 18 CIRCUIT, MINI UNIVERSAL MATE-N-LOK(TM) 2 SIZE CAGE CODE DRAWING NO RESTRICTED TO A100779C=794208 WEIGHT CUSTOMER DRAWING
METRIC		SCALE 5:1	SHEET 1 OF 1 REV C2