



Que-2-TXT™  
Questions?  
scan to text us fast



# DUSK TO DAWN LED FIXTURE WITH ARM AND PHOTOCELL



## specifications

Consumption	Lumen Output	Efficacy	Material	Finish	Ambient Temp (F)	L70 hours	SP	CRI	Lens	PF	THD	IP Rating	Number of Drivers
65W	8,400	129 lm / W	rugged die-cast aluminum, corrosion resistant housing	polyester powder-coat	-4°- 113°	50,000	10 KV optional (GI-ACC-LV-SP)	> 70	polycarbonate	> 0.9	< 20%	65 wet location	1

## select your flood light fixture

Part Number	Color Temp	Voltage	Finish	Net Weight
GI-D2D-C250-UL4	5000K	100 - 277 V ⚡	bronze	4.80 lbs
GI-D2D-C250S-UL4	5000K	100 - 277 V ⚡	silver	4.80 lbs

## your included accessory

Part Number	Description
GI-ACC-LV-TLPC	twist lock photocell



## your optional accessory

Part Number	Description
GI-ACC-DDAB	bronze arm mount
GI-ACC-DDAS	silver arm mount

## other specifications

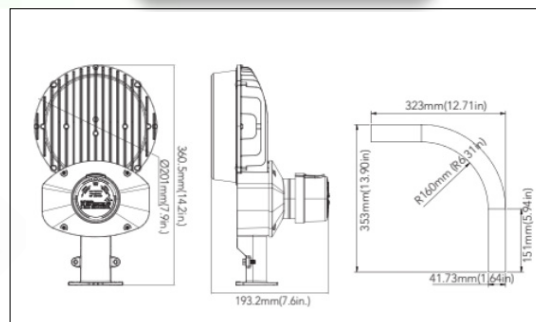
Dimensions	Warranty	Case QTY
7.9" x 7.6" x 14.2"	6 years	1 pc



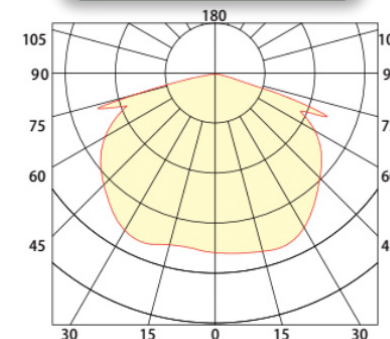
## Features

- Included photocell
- Color matching arm mounts available
- Die-cast waterproof housing allows for both indoor and outdoor applications
- Available in durable polyester dark bronze or silver/grey powder coat
- Type 5 distribution

## Dimensional Diagram



## Luminous Intensity Diagram



## Mounting arm kit



Not all product variations listed on this page may be DLC qualified. Visit [www.designlights.org/search](http://www.designlights.org/search) to confirm qualification.



/greenignite  
@greenignite



www.greenignite.com



info@greenignite.com



1-877-560-3779