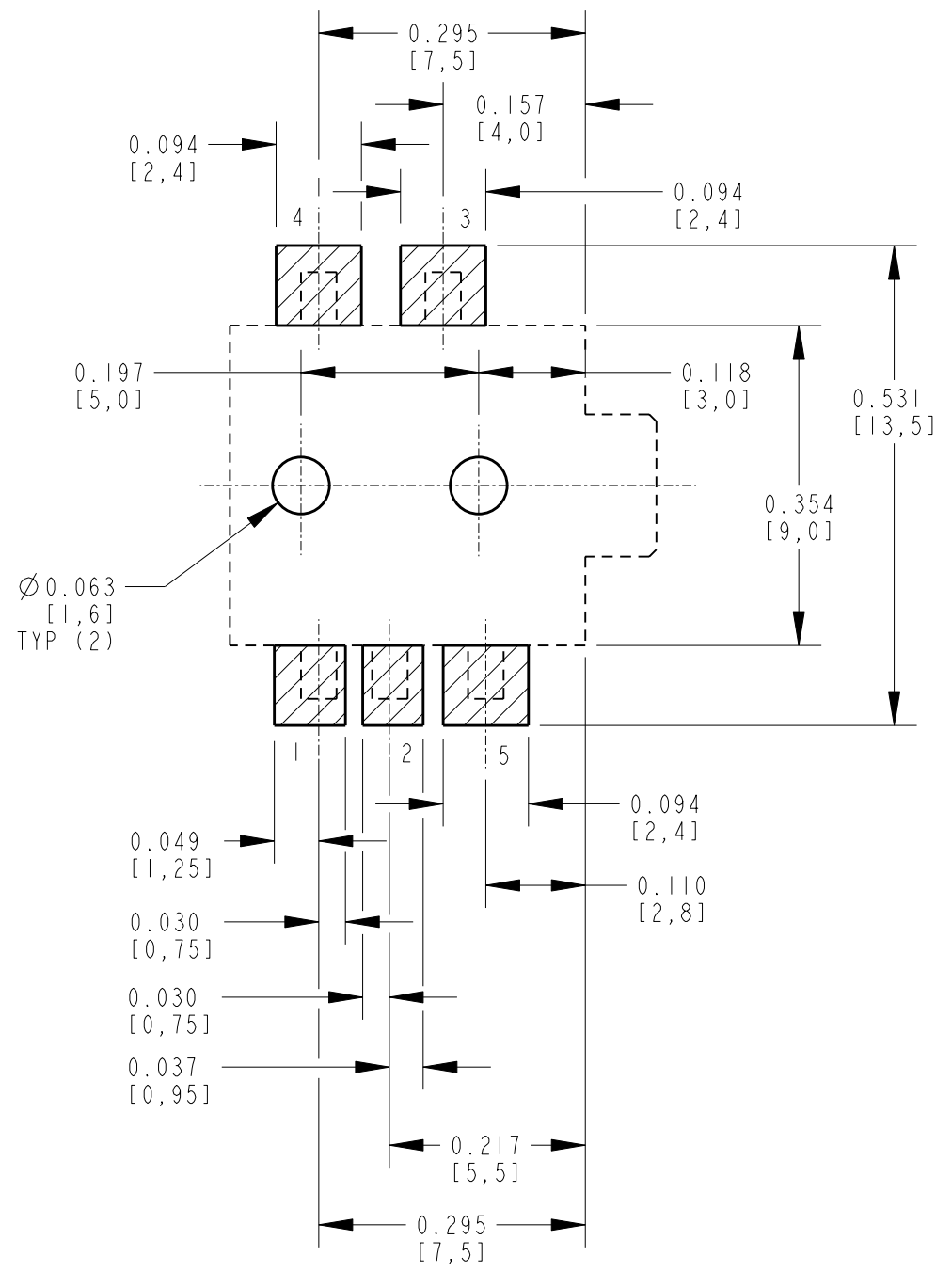
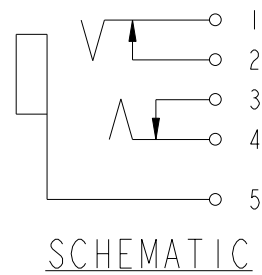
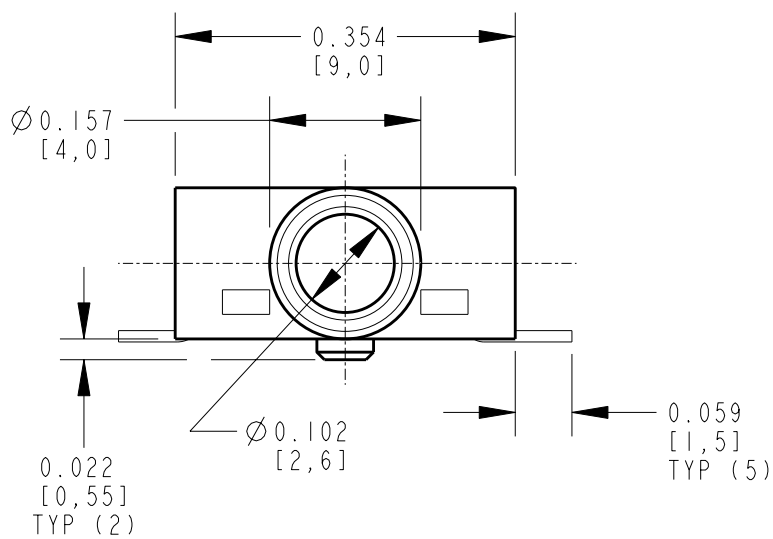
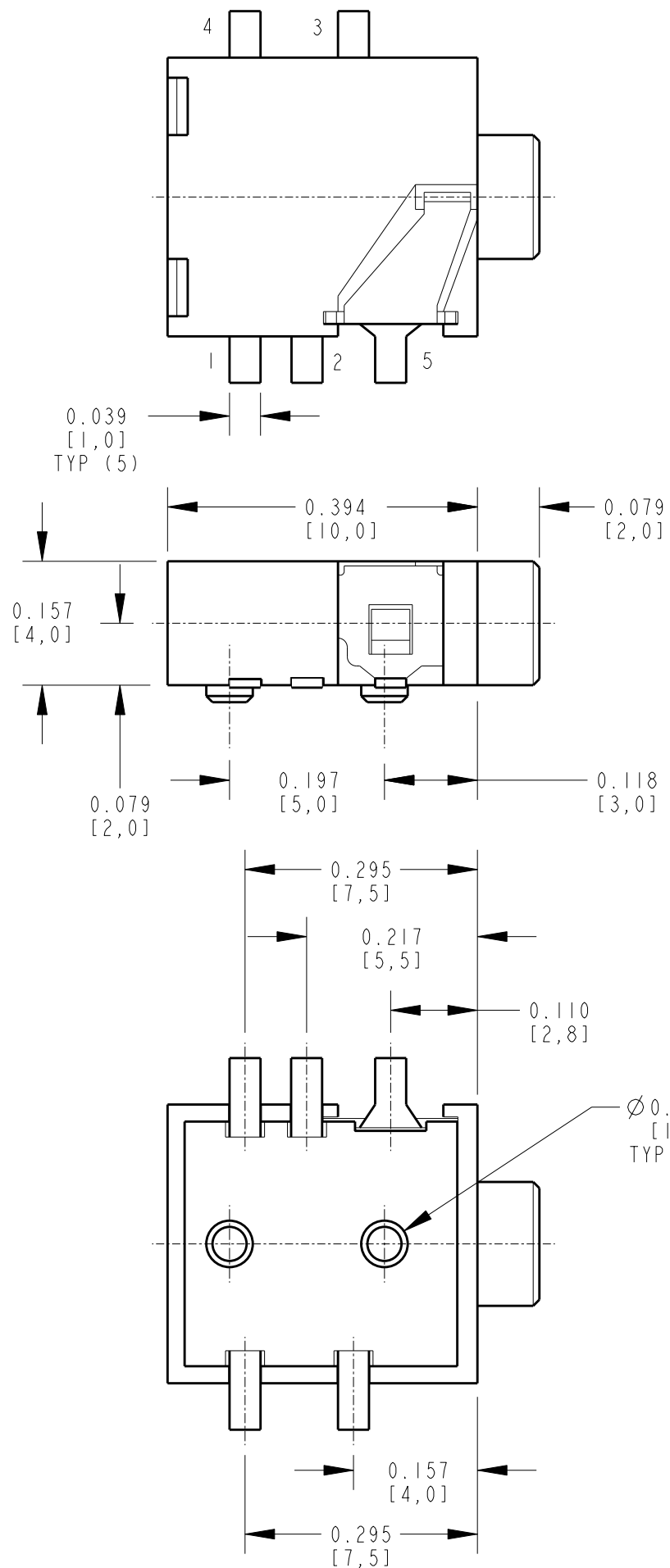


NOTES:

1. ALL DIMENSIONS ARE REFERENCE.
2. MATERIALS:
HOUSING: THERMOPLASTIC, BLACK
TERMINALS: COPPER ALLOY, GOLD FLASH
3. SUPPLIED ON TAPE & REEL, SEE SHEET 2.
4. THIS PRODUCT IS RoHS COMPLIANT



PCB LAYOUT COMPONENT SIDE CUSTOMER DRAWING

REV	ECO NUMBER	DATE	BY	APVD
A	25154	11-14-05	JL	GG

REVISIONS

★ STAR SYMBOL DENOTES CRITICAL DIMENSION

UNLESS OTHERWISE SPECIFIED

1. ALL DIMENSIONS IN INCHES
- TWO PLACE DECIMALS ± 0.01
- THREE PLACE DECIMALS ± 0.005
- ANGLES $\pm 1^\circ$
- ALL DIA. CONCENTRIC WITHIN 0.005 T.I.R.
2. FEATURES ON THE SAME CENTERLINE MUST BE ALIGNED WITHIN ± 0.002
3. REMOVE ALL BURRS

DO NOT SCALE DRAWING

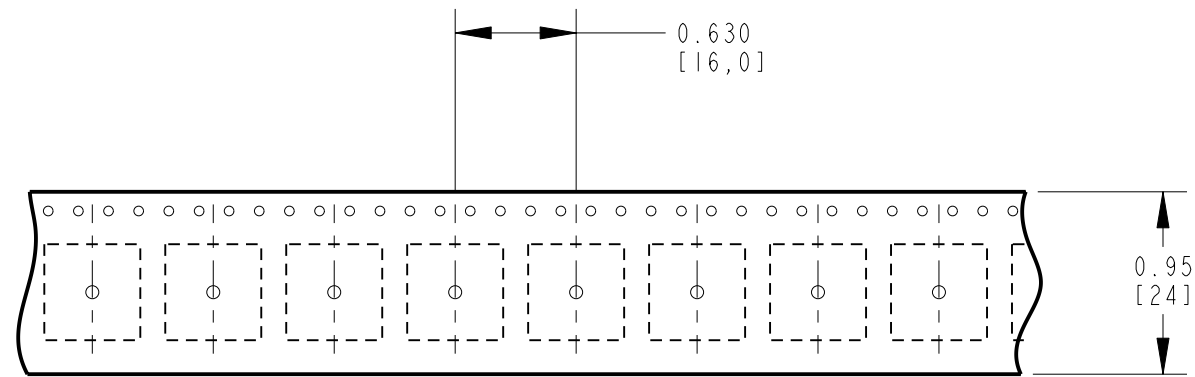
THIS DRAWING DESCRIBES A DESIGN CONSIDERED PROPRIETARY IN NATURE, DEVELOPED AND MANUFACTURED BY SWITCHCRAFT INC. AND IS RELEASED ON A CONFIDENTIAL BASIS FOR IDENTIFICATION PURPOSES ONLY.										
SIZE	WIDTH	MULT	LBS/M	TEMPER						
FINISH					MATERIAL					
SPEC No.					SPEC No.					
FIRST USED ON					SCALE NONE					
DATE DRAWN	BY	CHKD	APVD							
14-Nov-05	JL	GG	GG							
			11-14-05	11-14-05						
NAME								PART No.		REV
2.5MM PHONO JACK SURFACE MOUNT, RoHS								MDSMT4BRATRX		A



SHEET 1 OF 2

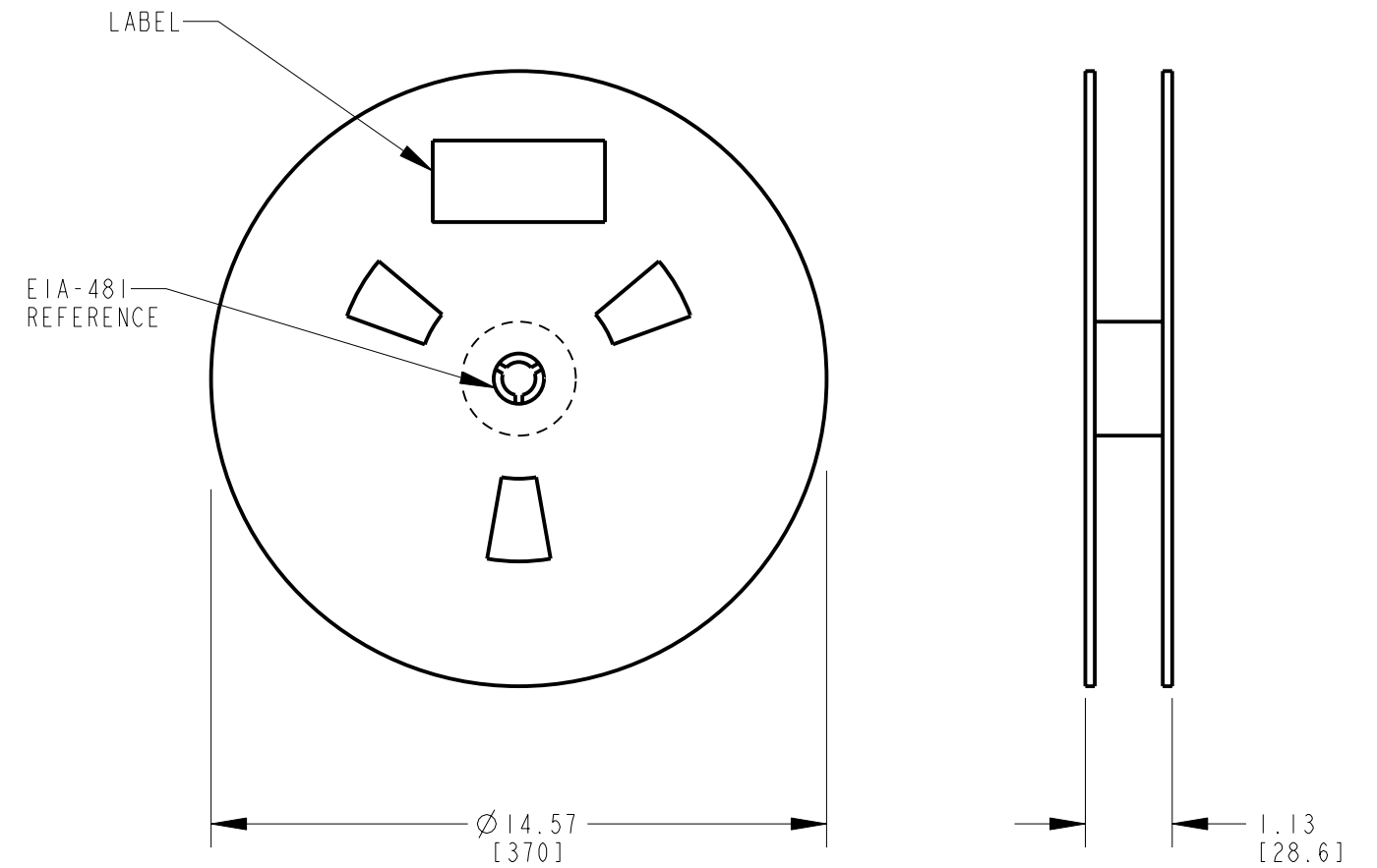
A: CARRIER SIZE

1. DETAIL SIZES REFERENCE: EIA-481
2. SPECIFICATION: 24 MM X 16 MM
3. COVER TAPE: SPECIFICATION ATTACHED (CONDUCTIVE)



B: REEL SIZE

1. QUANTITY: 1000 PCS/REEL
2. MATERIAL: THERMOPLASTIC



SCALE NONE	Switchcraft [®]	
DATE DRAWN 14-Nov-05		
DRAWN BY JL	PART No. MDSMT4BRATRX	REV A