



# Slide Beam2424-184

SKU: 60842 Weight: 110.20 Gram

## What Is Slide Beam2424-184?

Slide Beam2424-184 is a frequently-used mechanical part of Makeblock platform, and also compatibles with most Makeblock mechanical components. There are various mounting holes and a threaded slot on the plane of this beam which allow you to assemble on other structures easily.

## Features

? Made from heavy-duty 6061 aluminum extrusion and has a nice appearance. With holes on 16mm increments, and M4 threaded holes on both ends.

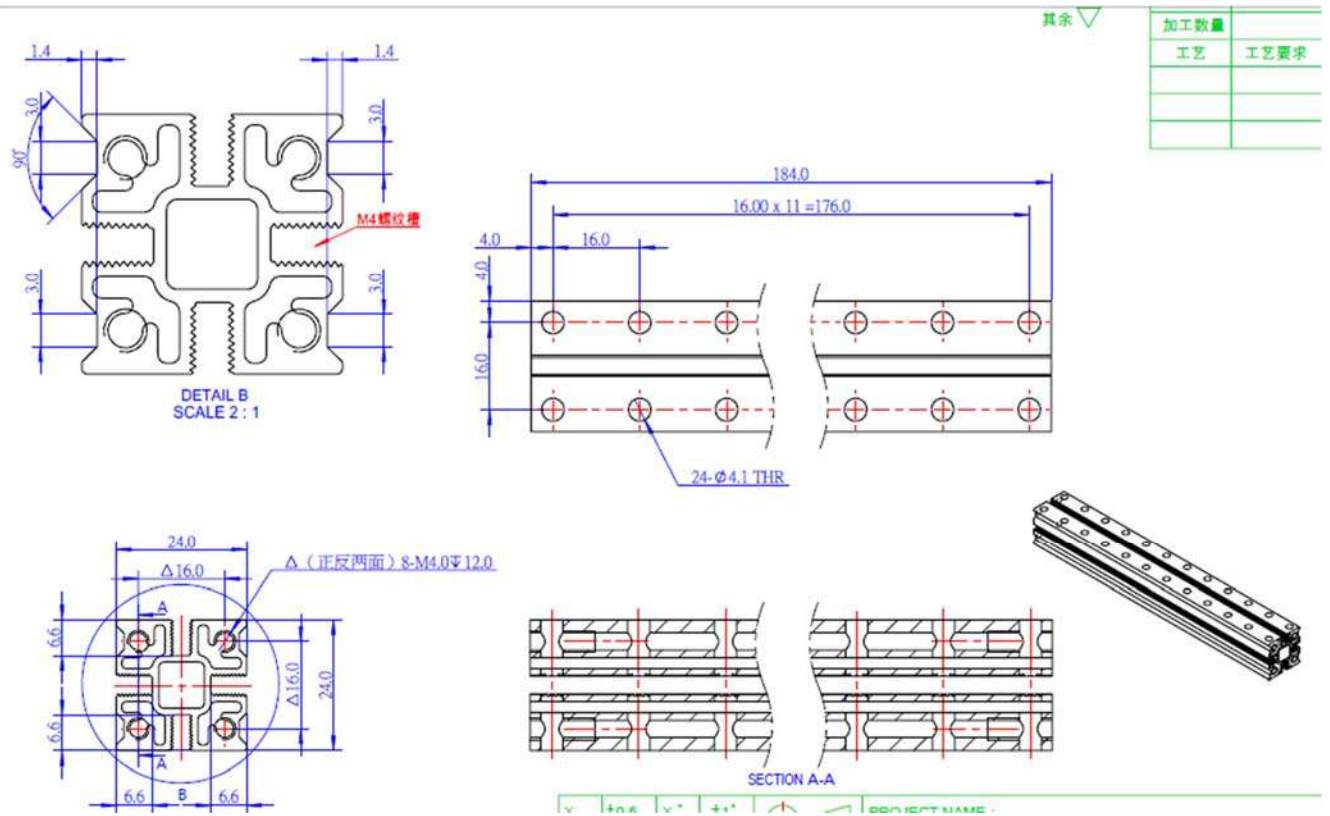
? High wear resistance, strong rigidity and high intensity.

? Cross-section area: 24\*24mm, length: 184mm.

# DEMO

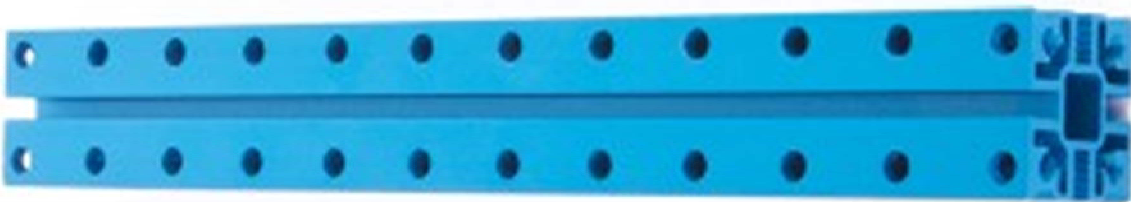


# Size Charts



## Specifications

SKU	60842
Product Name	Slide Beam2424-184
Length	184mm
Cross-section Area	24x24x184mm
Gross Weight	110.2g(3.89oz)
Package Content (Quantity x Part Name)	1 x Slide Beam2424-184



[https://store.makeblock.com/index.php?route=product/product&product\\_id=6854/2-20-1-9](https://store.makeblock.com/index.php?route=product/product&product_id=6854/2-20-1-9)