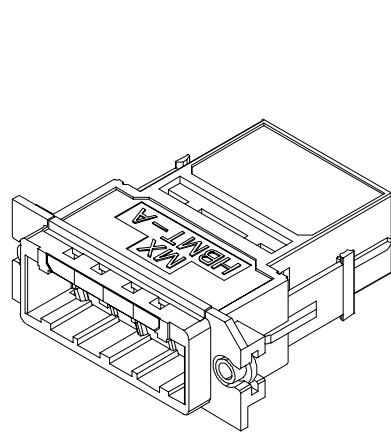
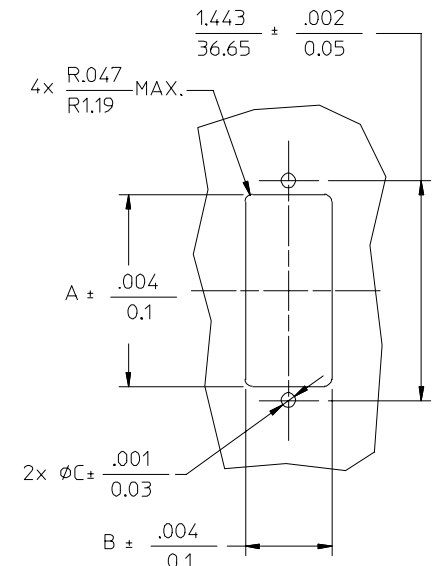
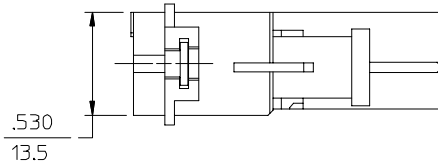
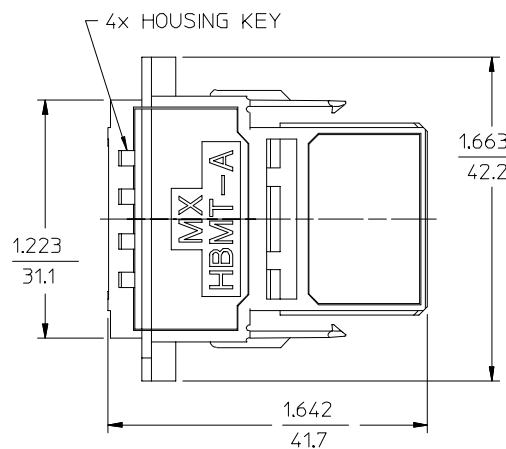
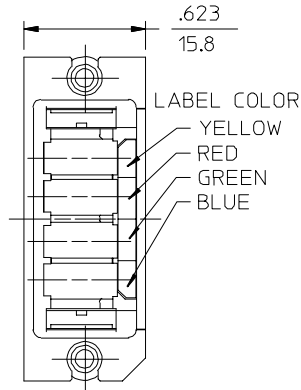


ADAPTER P/N	MOUNTING	FLOAT	PLATING	A	B	C	D WHEN E<.158 (4)	D WHEN E>.158 (4)	MATES WITH DAUGHTER CARD CONNECTOR P/N	BACKPLANE MATERIAL
106105-0000	RIVET	YES	NO	1.263 (32.08)	.570 (14.48)	.095 (2.41)	.367 (9.32)-E	.209 (5.31)	106105-0100, 106105-1100, 106105-2100	ANY
106105-1000	SCREW	YES	NO	1.263 (32.08)	.570 (14.48)	.090 (2.29)	.417 (10.59)-E	.259 (6.58)	106105-0100, 106105-1100, 106105-2100	NON-METALLIC
106105-1001	SCREW	YES	NO	1.263 (32.08)	.570 (14.48)	.090 (2.29)	.417 (10.59)-E	.259 (6.58)	106105-0100, 106105-1100, 106105-2100	ANY
106105-2200	SCREW	NO	YES	1.233 (31.32)	.540 (13.72)	.090 (2.29)	.417 (10.59)-E	.259 (6.58)	106105-2300	ANY
106105-2000	SCREW	NO	NO	1.233 (31.32)	.540 (13.72)	.090 (2.29)	.417 (10.59)-E	.259 (6.58)	106105-2100	ANY



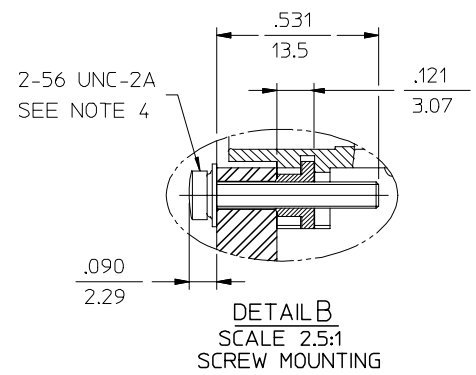
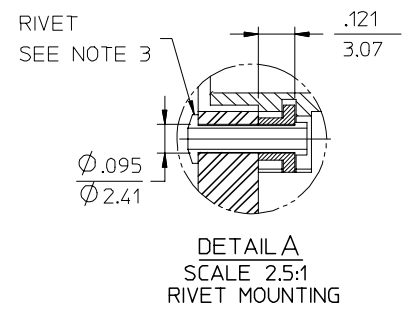
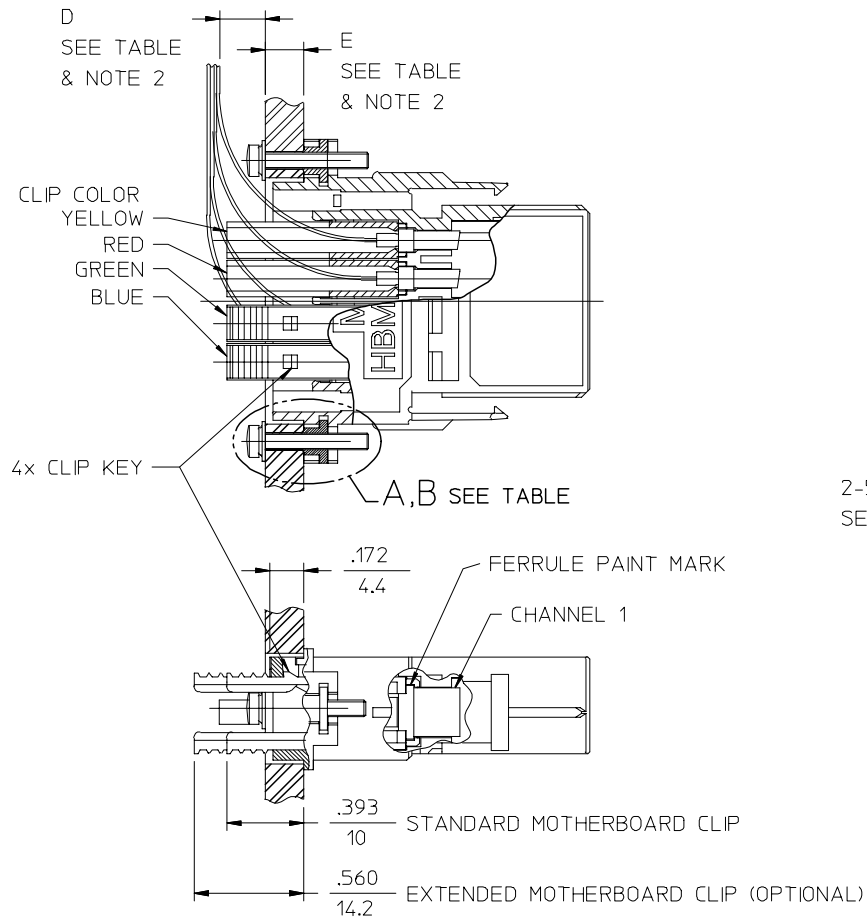
ISOMETRIC VIEW



NOTES:

- WHEN DIMENSION E IS GREATER THAN .158 (4), MOTHERBOARD MAY BE RECESSED FOR SCREW HEAD TO REDUCE DIMENSION D.
- RIVETS NOT INCLUDED WITH ADAPTER.
- SCREWS ARE INCLUDED WITH ADAPTER AND ARE INSTALLED BY USER.
 RECOMMENDED TORQUE: 2.5 TO 4 IN.LBS (0.28 TO 0.45 N.m) DEPENDING ON SUBSTRATE MATERIAL AND SCREW TYPE. USER IS ENCOURAGED TO DETERMINE THE PROPER TORQUE TO USE BY TRIAL (SEE MACHINERY'S HANDBOOK FOR PROCEDURE).
- ASSEMBLY TOOL (MOLEX P/N 86902-1400) IS REQUIRED TO MOUNT ADAPTER P/N 106105-1001 TO BACKPLANE.

ENTER DESCRIPTION EC NO: MF2006-0296 DRWN:PGIBLIN 2005/11/29 CHKD: 2005/11/29 APPR:IGUMIN 2005/11/29	QUALITY SYMBOLS ▽=0 ▽=0	GENERAL TOLERANCES (UNLESS SPECIFIED) mm INCH 4 PLACES ± --- ± --- 3 PLACES ± --- ± --- 2 PLACES ± --- ± --- 1 PLACE ± --- ± --- ANGULAR ± 1 °	DIMENSION STYLE IN/MM DRAWN BY DATE PGIBLIN 2005/10/31 CHECKED BY DATE APPROVED BY DATE	SCALE 2:1 DESIGN UNITS INCH THIRD ANGLE PROJECTION	TITLE HBMT MOTHERBOARD ADAPTER	
	MATERIAL NO. SEE TABLE	DOCUMENT NO. SD-106105-100X	SHEET NO. 1 OF 02	MOLEX INCORPORATED		
	DRAFT WHERE APPLICABLE MUST REMAIN WITHIN DIMENSIONS			THIS DRAWING CONTAINS INFORMATION THAT IS PROPRIETARY TO MOLEX INCORPORATED AND SHOULD NOT BE USED WITHOUT WRITTEN PERMISSION		
	SIZE B					



ENTER DESCRIPTION EC NO: MF2006-0296 DRWN: PGIBL IN 2005/11/29 CHKD: 2005/11/29 APPR: IGUMIN 2005/11/29	QUALITY SYMBOLS ▽=0 ▽=0	GENERAL TOLERANCES (UNLESS SPECIFIED)		DIMENSION STYLE	SCALE	DESIGN UNITS	THIRD ANGLE PROJECTION	
		mm	INCH	IN/MM	2:1	INCH		
		4 PLACES	± ---	± ---	DRAWN BY	DATE	TITLE	
		3 PLACES	± ---	± ---	PGIBL IN	2005/10/31	HBMT MOTHERBOARD ADAPTER	
2 PLACES	± ---	± ---	CHECKED BY	DATE	MOLEX INCORPORATED			
1 PLACE	± ---	± ---	APPROVED BY	DATE				
ANGULAR ± 1 °		DRAFT WHERE APPLICABLE MUST REMAIN WITHIN DIMENSIONS		MATERIAL NO.	DOCUMENT NO.	SHEET NO.		
				SEE TABLE	SD-106105-100X	2 OF 02		
				SIZE B	THIS DRAWING CONTAINS INFORMATION THAT IS PROPRIETARY TO MOLEX INCORPORATED AND SHOULD NOT BE USED WITHOUT WRITTEN PERMISSION			