

HIGH FREQUENCY MAGNETICS

T1/E1 Octal Transformer Modules

TM01109

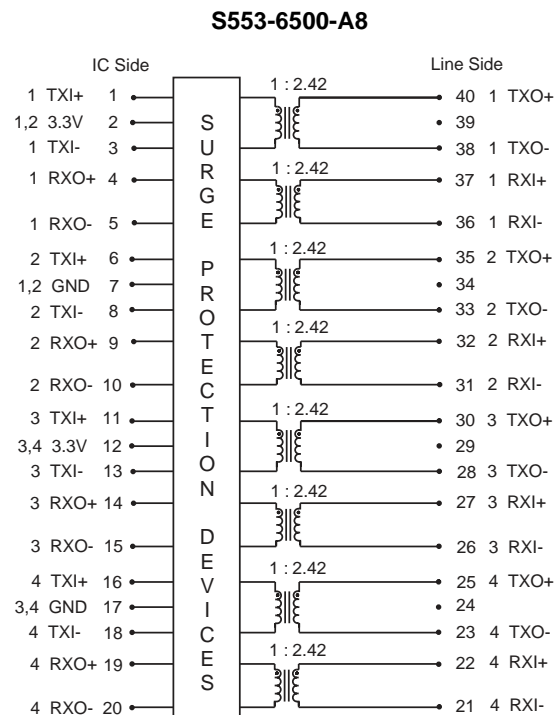
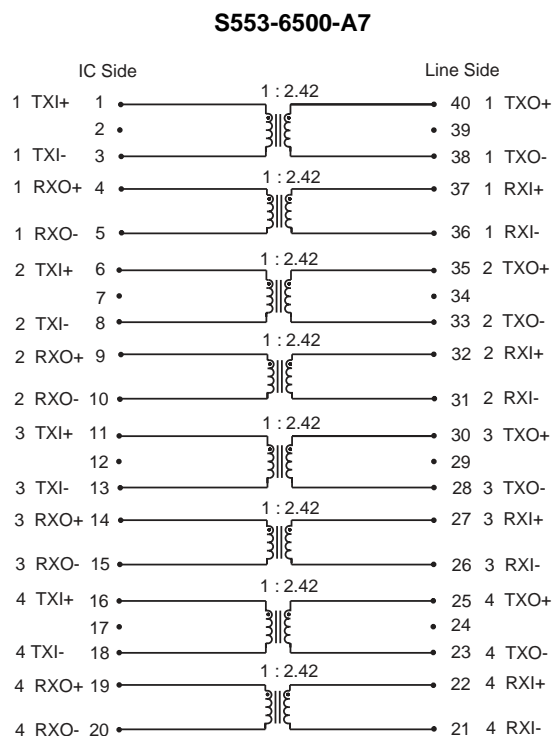
- Optimized for PMC-Sierra PM4354 Quad COMET
- Eight transformers in one surface-mount package
- Two modules:
S553-6500-A7 with eight transformers
S553-6500-A8 with eight transformers and IC-side surge protection devices
- Tight ratio tolerance assists impedance matching
- Meets ITU-T G.703 return loss from -40° to +85° C
- Operating temperature range -40° to +85° C
- Meets IEC 695, 2-2 flammability requirements
- PWB Process Capability: standard printed wiring board assembly techniques, total-immersion cleaning
- Reliability testing: Shock, vibration, temperature cycling, temperature - humidity - bias
- Interwinding breakdown voltage: 1500 Vrms min
- UL 1950 approved: S553-6500-A7 file number E150991
S553-6500-A8 pending

ELECTRICAL SPECIFICATIONS at 25° C

Part Number	Turns Ratio ±2% IC : Line		Primary Inductance ¹ µH min	Leakage Inductance ¹ µH max	DCR Ω max		Interwinding Capacitance pF max	Return Loss at 102 kHz 120Ω Application ²			
	TX	RX	IC Side	IC Side	IC Side	Line Side		25° C dB typ		-40 to +85° C dB min	
								TX	RX	TX	RX
S553-6500-A7	1 : 2.42	1 : 2.42	950	0.3	0.6	1.3	35	18	27	17	24
S553-6500-A8	1 : 2.42	1 : 2.42	950	0.3	0.6	1.3	35	18	27	17	24

1. Inductance at 10 kHz, leakage inductance at 1 MHz
2. Terminated in 25.4 Ω for TX and 18.2 Ω for RX

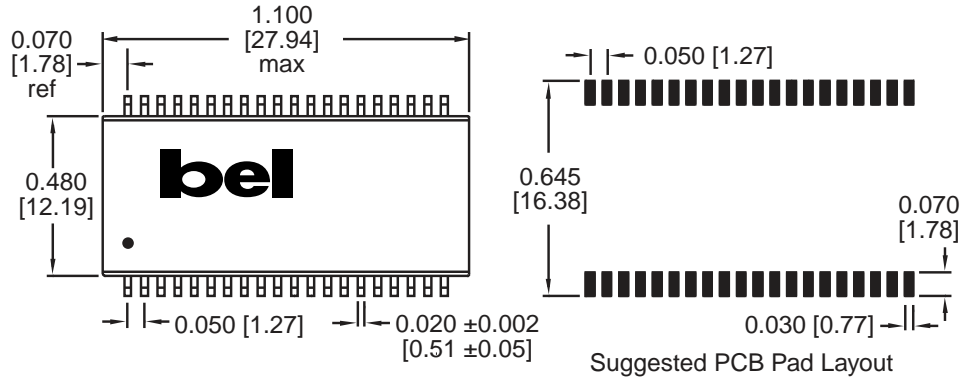
SCHEMATIC



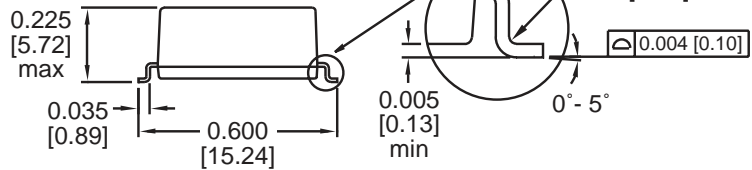
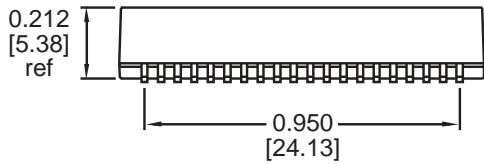
©2007 Bel Fuse Inc. Specifications subject to change without notice. 08.07

MECHANICAL

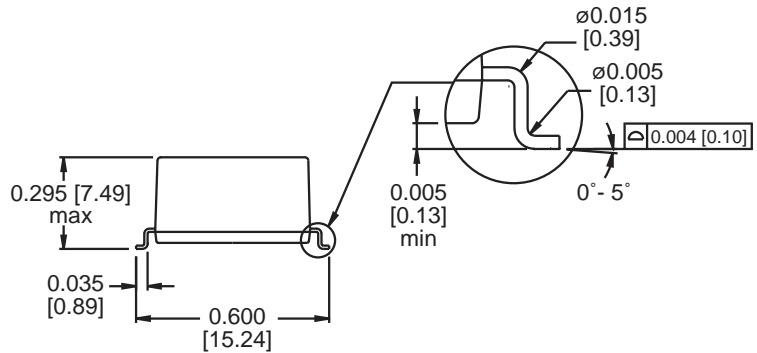
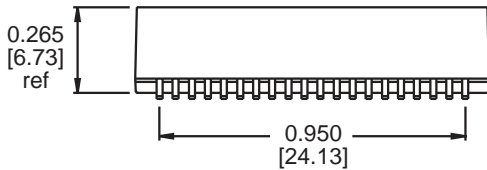
S553-6500-A7
S553-6500-A8



S553-6500-A7



S553-6500-A8



Dimensions are in inches [millimeters].
Standard dimension tolerance is ±0.005 [0.13] unless otherwise noted.

S553-6500-A8 Surge Protection Devices

TVS Diode Array: Protek PSRDA3.3-4
Number of Arrays: 4

Note: Surge protection provided by the Bel module is equivalent to that advertised in the Protek PSRDA3.3-4 product specification.

Tape and Reel Packaging

44 mm wide by 24 mm pitch; 13 inch OD, 6 inch ID
200 modules per reel, maximum
Meets ANSI/EIA 481-2 Carrier Tape Standards - JEDEC SO Package

©2007 Bel Fuse Inc. Specifications subject to change without notice. 08.07

CORPORATE

Bel Fuse Inc.
206 Van Vorst Street
Jersey City, NJ 07302
Tel 201-432-0463
Fax 201-432-9542
www.belfuse.com

FAR EAST

Bel Fuse Ltd.
8F / 8 Luk Hop Street
San Po Kong
Kowloon, Hong Kong
Tel 852-2328-5515
Fax 852-2352-3706
www.belfuse.com

EUROPE

Bel Fuse Europe Ltd.
Preston Technology Management Centre
Marsh Lane, Suite G7, Preston
Lancashire, PR1 8UD, U.K.
Tel 44-1772-556601
Fax 44-1772-888366
www.belfuse.com