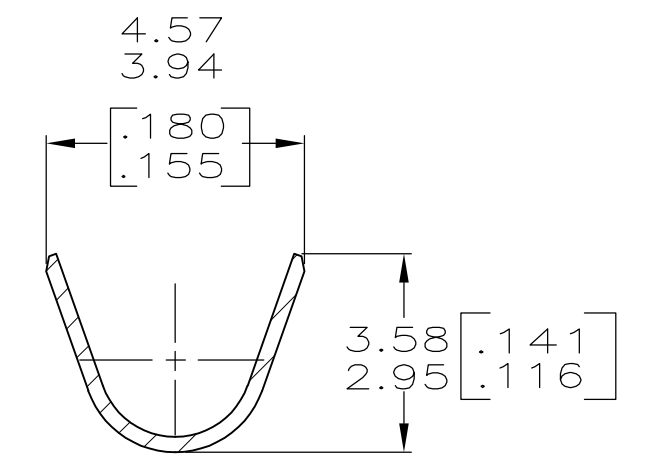
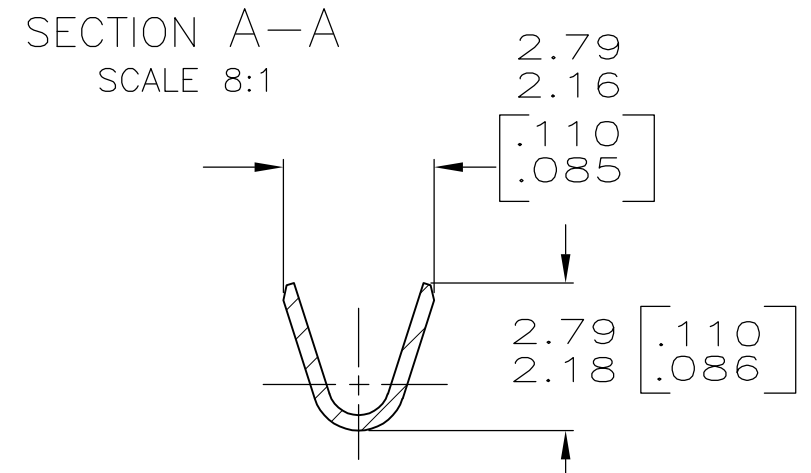
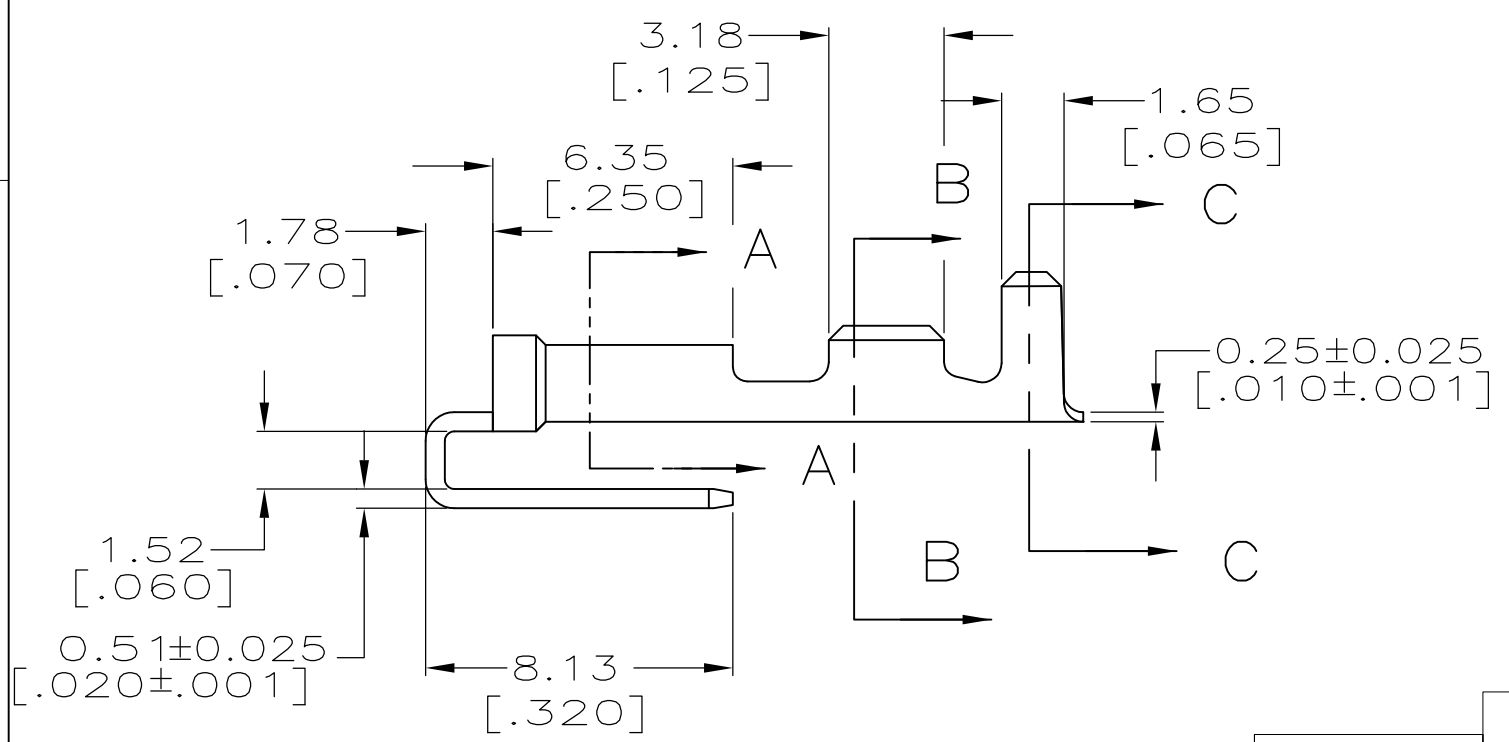
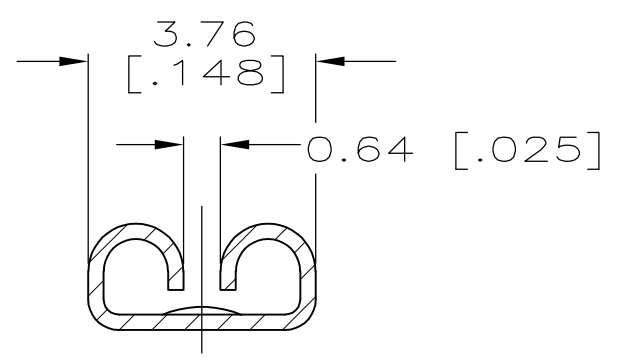
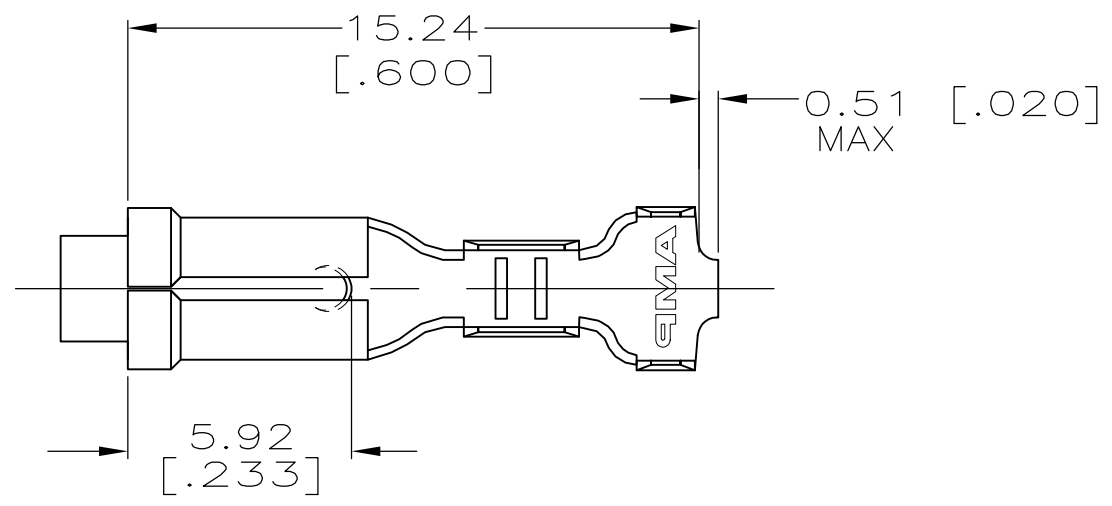


THIS DRAWING IS UNPUBLISHED. RELEASED FOR PUBLICATION  
 © COPYRIGHT - By - ALL RIGHTS RESERVED.

LOC	DIST	REVISIONS				
P	LTR	DESCRIPTION	DATE	DWN	APVD	
AF	50	C	REVISED PER ECR-12-013459	27NOV2012	KH	PD

- 1 SUPPLIED IN LOOSE PIECE.
- 2 TIN
- 3 REF STRIP BASE P/N 62003



OBSOLETE	1.52-2.54 DIA [.060-.100] DIA	[#22-#18] AWG	0.508±0.025 [.020±.001]	2	62112-2
	INSULATION RANGE	WIRE SIZE	MATING TAB THICKNESS	FINISH	62112-1
THIS DRAWING IS A CONTROLLED DOCUMENT.		DWN JR RUTH 5/16/95	TE Connectivity RECEPTACLE, FASTON,™ PIGGYBACK, 2.79 [.110] SERIES		
DIMENSIONS: mm [INCHES]		CHK MS FEHER 5/16/95			
TOLERANCES UNLESS OTHERWISE SPECIFIED: 0 PLC ± - 1 PLC ± - 2 PLC ± 0.38 [.015] 3 PLC ± - 4 PLC ± - ANGLES ± -		APVD P DESANTIS 5/16/95	NAME		
		PRODUCT SPEC	SIZE		
MATERIAL BRASS		FINISH SEE TABLE	CAGE CODE		
		WEIGHT -	DRAWING NO		
		CUSTOMER DRAWING	RESTRICTED TO		
			SCALE 5:1		
			SHEET 1 OF 1		
			REV C		