

NOTES:

1. MATERIALS AND FINISHES:
 BODIES, RETAINING RING, WASHER & COUPLING NUT - BRASS, NICKEL PLATING
 CONTACT - BRASS, GOLD PLATING
 CONTACT - BeCu, GOLD PLATING
 INSULATORS - PTFE, NATURAL
 SPRING - BeCu, NICKEL PLATING
 GASKET - SILICONE RUBBER, RED

2. ELECTRICAL:
 A. IMPEDANCE: 75 OHM
 B. DIELECTRIC WITHSTANDING VOLTAGE: 1500 VRMS, MIN.

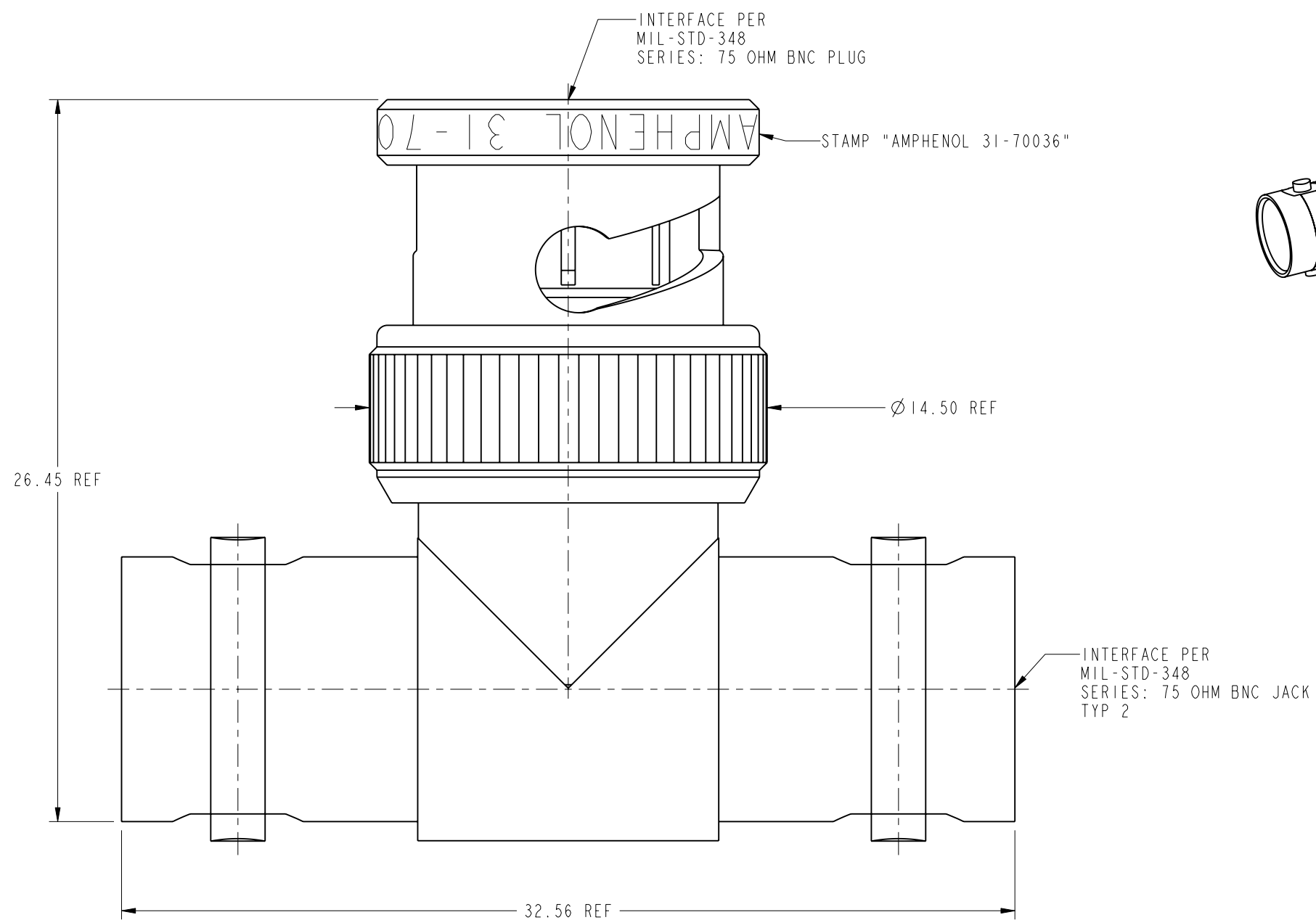
3. MECHANICAL:
 A. DURABILITY: 500 CYCLES MIN.
 B. TEMPERATURE RANGE: -65° C TO +165° C

4. PACKAGING:
 A. QUANTITY: SINGLE PACK
 B. MARKING: BAG TO BE MARKED "AMPHENOL RF, 31-70036, AND DATE CODE"

THIRD ANGLE PROJ.

REVISIONS

REV	DESCRIPTION	DATE	ECO	APPR
B	SEE SHEET 1	27-Feb-08	--	SUSAN
D	SEE SHEET 1	17-Mar-10	47967	SH
E	REDRAWN IN PRO-E	21-Apr-15	50343	RM



CUSTOMER OUTLINE DRAWING
 ALL OTHER SHEETS ARE FOR INTERNAL USE ONLY

UNLESS OTHERWISE SPECIFIED, DIMENSIONS ARE IN METRIC AND TOLERANCES ARE: <0.5mm ±0.05mm 0.5 - 6mm ±0.1mm 6 - 30mm ±0.2mm 30 - 120mm ±0.3mm ANGLES ±1° NOTICE - These drawings, specifications, or other data (1) are, and remain the property of Amphenol corp. (2) must be returned upon request; and (3) are confidential and not to be disclosed to any person other than those to whom they are given by Amphenol Corp. the furnishing of these drawings, specifications, or other data by Amphenol Corp., or to any other person to anyone for any purpose is not to be regarded by implication or otherwise in any manner licensing, granting rights to permitting such holder or any other person to manufacture, use or sell any product, process or design, patented or otherwise, that may in any way be related to or disclosed by said drawings, specifications, or other data.	MATERIAL	DRAWN	DATE	TITLE		Amphenol RF www.amphenolrf.com	
	SEE NOTES	A ARUN PRABU	14-Jan-15				
	REFERENCE EAR #	APPROVED	DATE	SCALE: 5.0:1.0		DRAWING NO. 31-70036	
	CONFIGURATION LEVEL: In Work	H. HE	21-Apr-15	SHEET 2 OF 2		ITEM NO. 31-70036	
FINISH	CAD FILE	DWG SIZE		REV	PART NO. 31-70036		
		B		E			