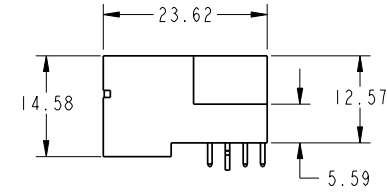
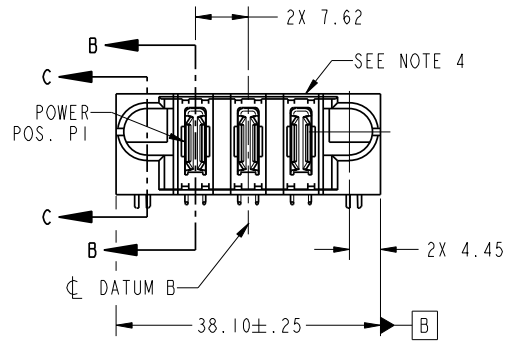


Tous droits strictement réservés. Reproduction ou communication o des liens interdite sous quelque forme que ce soit sans autorisation écrite du propriétaire. Propriete de c FCI. Droits de reproduction FCI.



All rights strictly reserved. Reproduction or issue to third parties in any form whatever is not permitted without written authority from the proprietor. Property of FCI. Copyright FCI.

PRODUCT NO.	POWER				
	E1	P1	P2	P3	E2
51939-345-- NOTE 3					



CODE	DIM "M" MATING LENGTH	CONTACT TYPE
PA	[N/A]	POWER
HA	[N/A]	HOLD-DOWN

mat'l code				SEE NOTE		tolerances unless otherwise specified		CUSTOMER		FCI	
lfr	ecn no.	dr	date	linear	0.X ± 0.5	COPY		www.fciconnect.com		title	
A	DG08-0119	JC	05/20/08	0.XX ± 0.25	0.XXX ± 0.10	projection	RIGHT ANGLE SOLDER HEADER		product family		code
				angles	0° ± 2°		MM		PwrBlade		213
				dr	JM GUO 02/29/08	scale	1:1		size		sheet
				engr	JEROME CHEN 02/29/08	A		51939-345		1 of 4	
				chr	GARY HSIEH 02/29/08						
				appd	JOSEPH HSIA 02/29/08						
sheet index	revision sheet	A	A	A	A						
		1	2	3	4						

Pro/E

cage code 22526

PDM: Rev:A

STATUS: Released

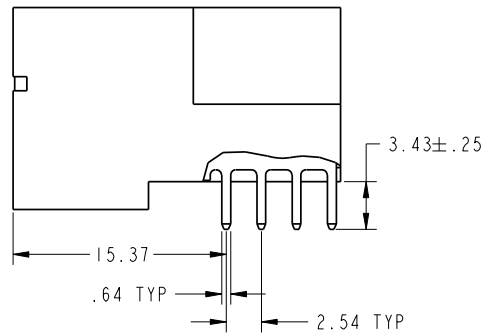
Printed: Dec 20, 2010

Tous droits strictement réservés. Reproduction ou communication o des liens interdite sous quelque forme que ce soit sans autorisation écrite du propriétaire. Propriete de c FCI. Droits de reproduction FCI.

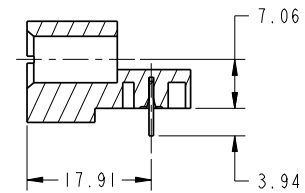
All rights strictly reserved. Reproduction or issue to third parties in any form whatever is not permitted without written authority from the proprietor. Property of FCI. Copyright FCI.



PRODUCT NUMBER  
51939-345..  
NOTE: 3



BROKEN-OUT SECTION B-B  
SCALE 2:1



SECTION C-C

mat'l code				SEE NOTE		tolerances unless otherwise specified		CUSTOMER		FCI www.fciconnect.com	
lfr	ecn no.	dr	date	linear	0.X ± 0.3	projection		COPY		title	
A					0.XX ± 0.13	⊕				3ACP RIGHT ANGLE SOLDER HEADER	
				angles	0.XXX ± 0.051	MM		product family		PwrBlade	code
				dr	0° ± 2°	←		size		dwg no	213
				engr	JM GUO 02/29/08	scale		A		51939-345	sheet
				chr	JEROME CHEN 02/29/08	1:1					2 of 4
				appd	GARY HSIEH 02/29/08						
					JOSEPH HSIA 02/29/08						
sheet index	revision sheet										



size A

cage code 22526

Pro/E

PDM: Rev:A

STATUS: Released

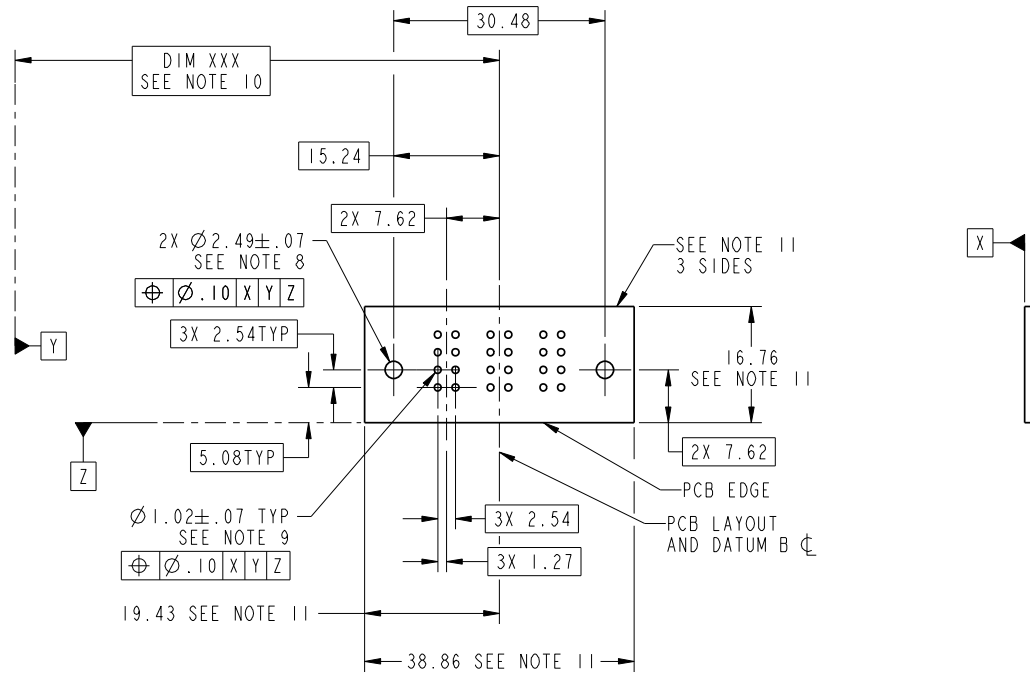
Printed: Dec 20, 2010

Tous droits strictement réservés. Reproduction ou communication o des liens interdite sous quelque forme que ce soit sans autorisation écrite du propriétaire. Propriete de c FCI. Droits de reproduction FCI.



All rights strictly reserved. Reproduction or issue to third parties in any form whatever is not permitted without written authority from the proprietor. Property of FCI. Copyright FCI.

PRODUCT NUMBER  
51939-345...  
NOTE: 3

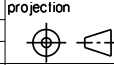


RECOMMENDED PCB LAYOUT

sheet index		revision sheet		tolerances unless otherwise specified		CUSTOMER		FCI	
				0.X ± 0.3		COPY		www.fciconnect.com	
				0.XX ± 0.13		projection		title	
				0.XXX ± 0.051		MM		3ACP	
				0° ± 2°		scale		RIGHT ANGLE SOLDER HEADER	
				dr JM GUO 02/29/08		1:1		product family PwrBlade code	
				engr JEROME CHEN 02/29/08		size A		213	
				chr GARY HSIEH 02/29/08		51939-345		sheet	
				appd JOSEPH HSIA 02/29/08				3 of 4	



www.fciconnect.com



MM

scale 1:1

product family

size A

PwrBlade

51939-345

code

213

sheet

3 of 4

Pro/E

cage code 22526

PDM: Rev:A

STATUS: Released

Printed: Dec 20, 2010

Tous droits strictement reserves. Reproduction ou communication a des tiers interdite sous quelque forme que ce soit sans autorisation écrite du propriétaire. Propriete de c FCI. Droits de reproduction FCI.



All rights strictly reserved. Reproduction or issue to third parties in any form whatever is not permitted without written authority from the proprietor. Property of FCI. Copyright FCI.

PRODUCT NUMBER  
51939-345..  
NOTE: 3

NOTES:

1. DIMENSIONS AND TOLERANCES ARE IN ACCORDANCE WITH ASME Y14.5M, 1994 UNLESS OTHERWISE SPECIFIED.

CONNECTOR NOTES:

- 2. HOUSING MATERIAL: UL 94 V-0 GLASS FILLED HIGH-TEMP THERMOPLASTIC  
POWER CONTACT MATERIAL: COPPER ALLOY  
SIGNAL PIN MATERIAL: COPPER ALLOY
- 3. 51939-345; 51939-345LF PLATING SPEC. SEE PRINT:10064183
- 4. MANUFACTURER'S NAME, P/N, AND DATE CODE TO APPEAR ON THIS SURFACE.
- 5. PRODUCT SPECIFICATION GS-12-149.  
APPLICATION SPECIFICATION BUS-20-067.
- 6. PACKAGED IN TRAYS.

PCB NOTES:

- 7. ALL HOLE DIAMETERS ARE FINISHED HOLE SIZE.
- 8. MOUNTING HOLES, WHERE APPLICABLE, ARE UNPLATED.
- 9.  $\varnothing 1.151 \pm 0.025$  DRILLED HOLES PLATED WITH 0.008 MIN SnPb OR Sn OVER 0.03 TO 0.08 Cu PLATING TO ACHIEVE  $\varnothing 1.02 \pm .07$  HOLE.
- 10. "DIM XXX" TO BE DETERMINED BY THE CUSTOMER.
- 11. CONNECTOR KEEP-OUT ZONE.

mat'l code				SEE NOTE		tolerances unless otherwise specified		CUSTOMER		FCI www.fciconnect.com	
lfr	ecn no.	dr	date	linear	0.X ± 0.3	COPY		projection		title	
A					0.XX ± 0.13					3ACP RIGHT ANGLE SOLDER HEADER	
				angles	0.XXX ± 0.051					product family PwrBlade code	
				dr	0° ± 2°			size		213	
				engr	JM GUO 02/29/08			A		sheet	
				chr	JEROME CHEN 02/29/08			scale		4 of 4	
				appd	GARY HSIEH 02/29/08			1:1		51939-345	
					JOSEPH HSIA 02/29/08						
sheet index	revision sheet										

Pro/E

cage code 22526

PDM: Rev:A

STATUS: Released

Printed: Dec 20, 2010