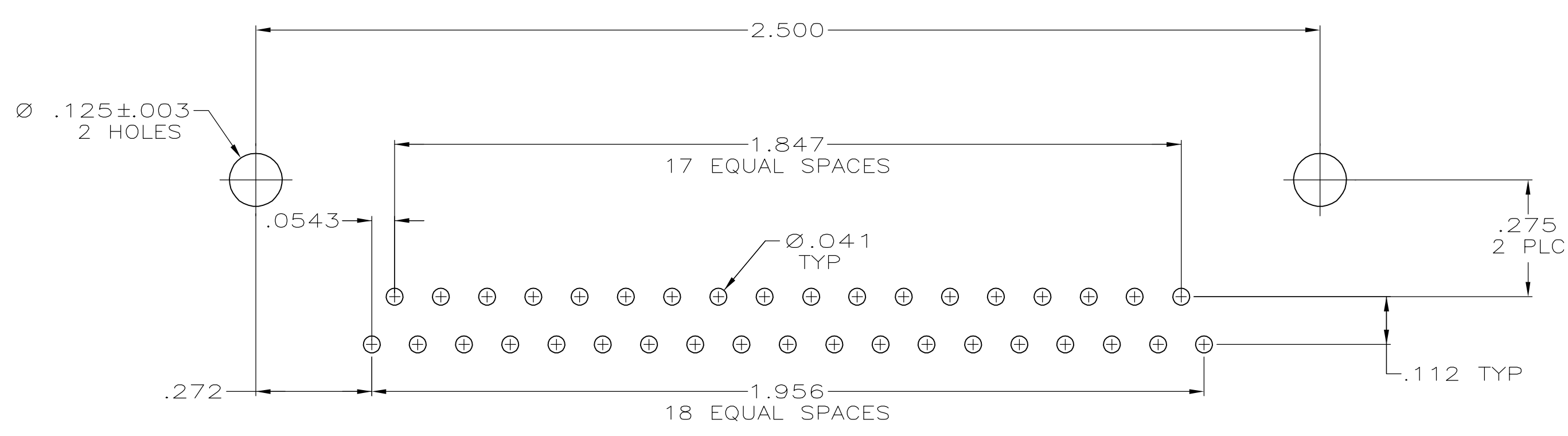
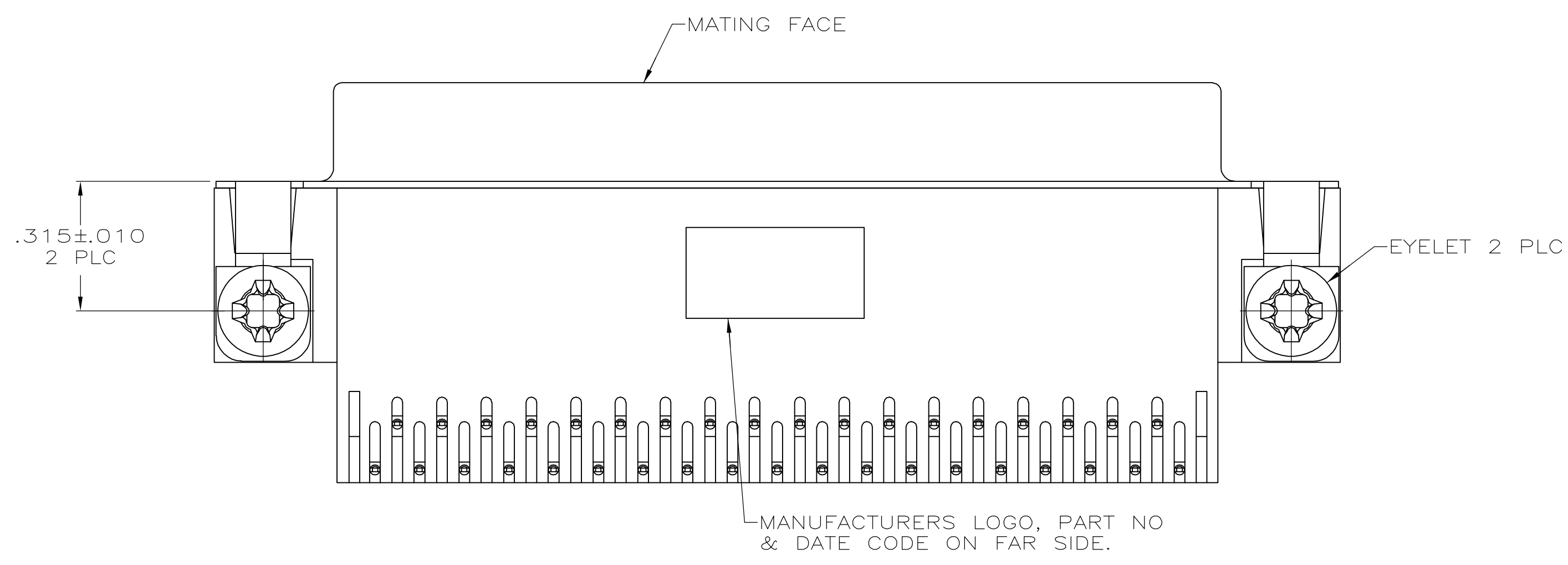


- 1 HOUSING: NYLON OR POLYESTER, FLAME RETARDANT, UL 94V-0 RATED, GLASS FILLED, BLACK.
 CONTACTS: PHOSPHOR BRONZE.
 SHELL: CARBON STEEL
 EYELETS: BRASS
 INSERTS: ZINC
 BOARDLOCKS: COPPER ALLOY
- 2 SHELL: .000100 MIN TIN OVER .000050 MIN COPPER.
 CONTACTS: .000030 GOLD MIN FOR A DISTANCE OF .100 MIN FROM MATING END,
 .000100 MIN TIN ON TERMINATION END, ALL OVER .000050 MIN NICKEL
 ON ENTIRE CONTACT.
 EYELETS: .000050 MIN TIN OVER COPPER FLASH.
 BOARDLOCKS: .000150 MIN TIN OVER .000050 MIN NICKEL.
 INSERTS: CLEAR CHROMATE



RECOMMENDED P.C. BOARD MOUNTING DIMENSIONS

**COPYRIGHT 2005
 TYCO ELECTRONICS CORP
 ALL RIGHTS RESERVED**

5747839-4
 PART NUMBER

THIS DRAWING IS A CONTROLLED DOCUMENT.		DWN G. ATTADIA	04-12-05	Tyco Electronics Corporation Harrisburg, PA 17105-3608
DIMENSIONS: INCHES		CHK S. BOLASH	04-12-05	
TOLERANCES UNLESS OTHERWISE SPECIFIED:		APVD M. WALMSLEY	04-12-05	NAME RECEPTACLE ASSEMBLY, SIZE 4, 37 POSITION, RIGHT ANGLE, FRONT METAL SHELL, .590 SERIES, .026 DIA POSTS, BOARDLOCKS, AMPLIMITE HD-20
0 PLC ± - 1 PLC ± - 2 PLC ± - 3 PLC ± .005 4 PLC ± - ANGLES ± z		PRODUCT SPEC 108-40025	APPLICATION SPEC 114-40010	SIZE A1
MATERIAL	FINISH	WEIGHT	CAGE CODE 00779	DRAWING NO 5747839
CUSTOMER DRAWING		SCALE 4:1	SHEET 1 OF 1	REV 0