

MATERIALS AND FINISHES:

SMA JACK RP BULKHEAD IP68 CONNECTOR:

BODY, CRIMP TUBE, JAM NUT: BRASS  
PLATED GOLD

CENTER CONTACT: BERYLLIUM COPPER  
PLATED GOLD

INSULATOR: PTFE

LOCK WASHER: PHOSPHOR BRONZE  
PLATED GOLD

GASKET: SILICONE RUBBER

MHF® I LK CONNECTOR:

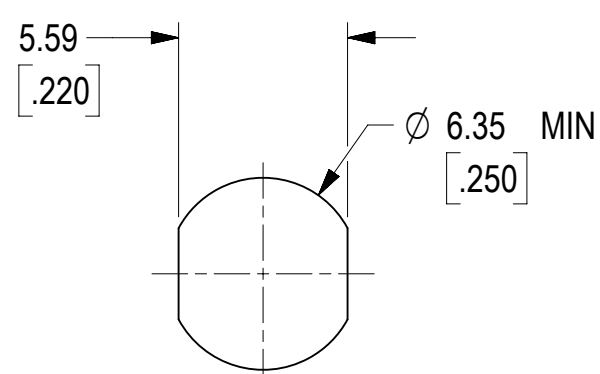
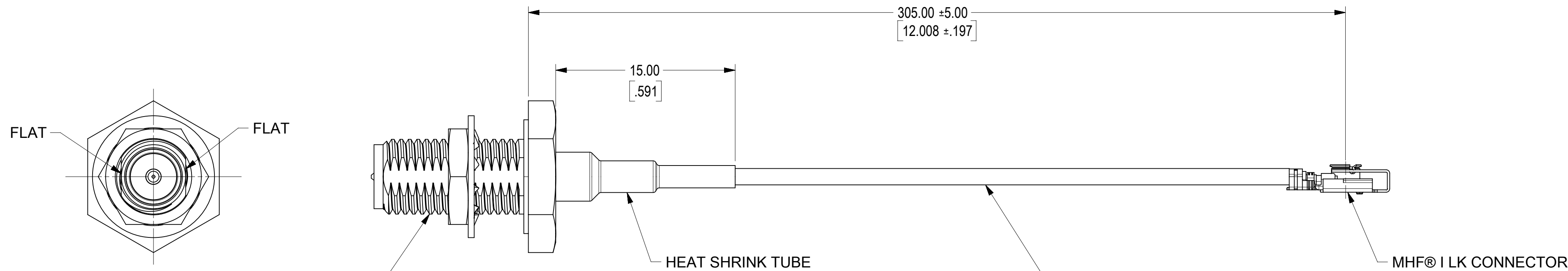
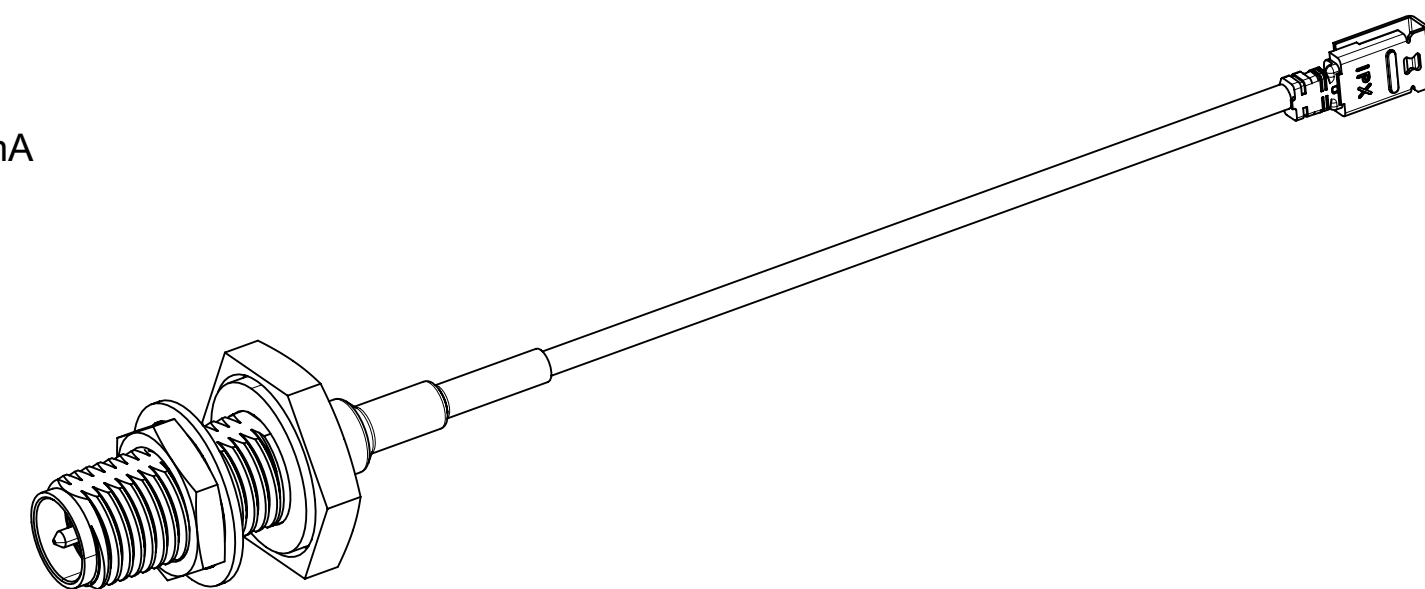
CABLE: 1.37MM CABLE

HEAT SHRINK TUBE: PE

PERFORMANCE REQUIREMENTS

FREQUENCY RANGE: 0~6GHz  
IMPEDANCE: 50 Ω  
WITHSTAND VOLTAGE(AC): 350V @0.5mA  
CONTINUITY: 100% TEST  
PANEL LEAKAGE: IP68

PACKAGING BY PLASTIC BAG



RECOMMENDED MOUNTING HOLE

PART # 73230-6140

FUNCTIONAL SYMBOLS	THIS DRAWING CONTAINS INFORMATION THAT IS PROPRIETARY TO MOLEX ELECTRONIC TECHNOLOGIES, LLC AND SHOULD NOT BE USED WITHOUT WRITTEN PERMISSION		CURRENT REV DESC:		<b>molex</b>
	DIMENSION UNITS	SCALE			
$\nabla_A = 0$	MM/INCH	4:1			CA, SMA JACK RP BULKHEAD IP68 TO MHF® I LK WITH DIA 1.37MM CABLE, 50 OHMS, EWR#: 15301-A
$\nabla_C = 0$	GENERAL TOLERANCES (UNLESS SPECIFIED)				
$\nabla_P = 0$	ANGULAR TOL ± °				PRODUCT CUSTOMER DRAWING
DIVISIONAL SYMBOLS	4 PLACES ±		EC NO: 727067		
	3 PLACES ±		DRWN: YHUANG11 2022/07/19		
	2 PLACES ±		CHK'D: JCHEN108 2022/11/04		
	1 PLACE ±		APPR: LCHEN03 2022/11/04		
	0 PLACES ±		INITIAL REVISION:		
	DRAFT WHERE APPLICABLE MUST REMAIN WITHIN DIMENSIONS		DRWN: YHUANG11 2022/07/19		DOCUMENT NUMBER
	THIRD ANGLE PROJECTION		APPR: LCHEN03 2022/11/04		732306140
	DRAWING		SERIES		DOC TYPE
	C-SIZE		73230		PSD
	MATERIAL NUMBER		CUSTOMER		DOC PART
	73230-6140		GENERAL MARKET		000
	SHEET NUMBER		1 OF 1		REVISION
					A