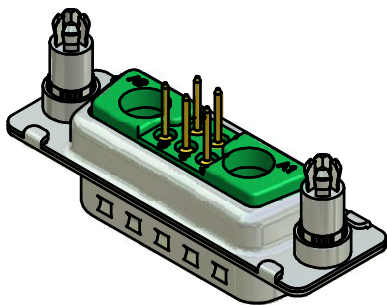
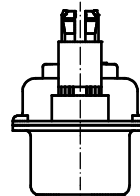
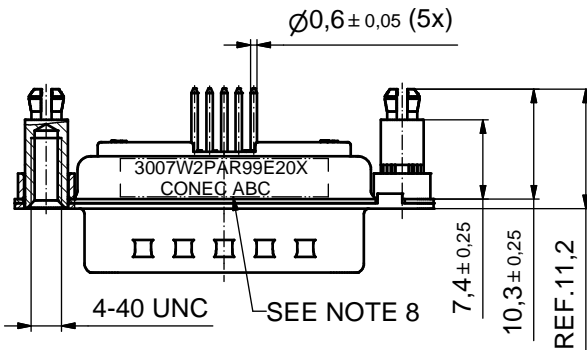
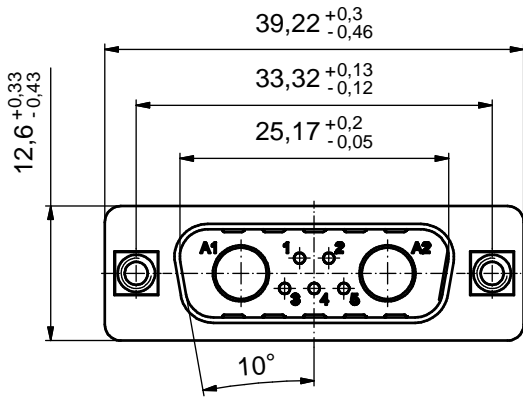
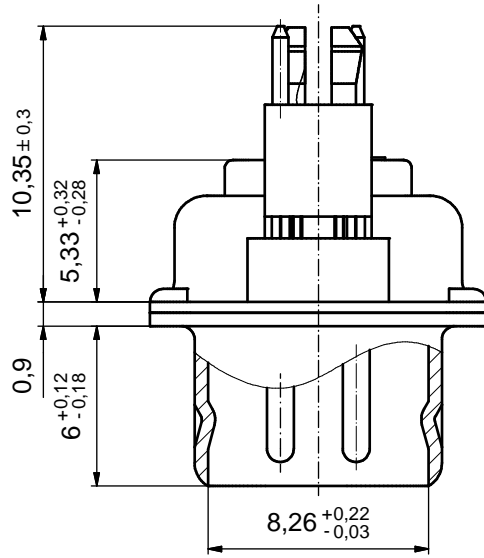


P.C.B. HOLE DRILLINGS
(P.C.B. TOP SIDE)

(5:1)



NOTES:

- METALSHELLS: STEEL; min. 315µin TIN over 40-80µin NICKEL
- INSULATORS: PBT GF UL 94 V-0, GREEN
- SIGNAL CONTACTS: COPPER ALLOY
PLATING: 8µin HARD GOLD over min.. 50µin NICKEL
- NO CONTACTS ON POS. A1 + A2
- THREADED SPACER CLIP: COPPER ALLOY; min. 200µin TIN over 80µin NICKEL
PCB-HOLE: ∅3.1 ± 0.1; PCB THICKNESS 1,6mm
- COLLAR: COPPER ALLOY; min. 200µin TIN over 80µin NICKEL
- MAXIMUM TORQUE VALUE FOR THREAD: 6 in.LB
- CONNECTOR IS PART MARKED: 3007W2PAR99E20X CONEC ABC

Directive 2002/95/EC
RoHS
Compliant

APPROVAL # FREIGABE # DEBLOCAGE # AUTORIZACION # APPROVAL	
CUSTOMER APPROVAL DATE:	
NAME:	TITLE:
COMPANY NAME:	
APPROVAL # FREIGABE # DEBLOCAGE # AUTORIZACION # APPROVAL	

THIS DRAWING MAY NOT BE COPIED OR REPRODUCED IN ANY WAY, AND MAY NOT BE PASSED ON TO A THIRD PARTY WITHOUT WRITTEN PERMISSION. OWNERSHIP AND COPYRIGHT OF CONEC GmbH				tolerance		dim. in mm		scale: 2:1 (5:1)	
DO NOT ALTER CAD DRAWING BY HAND				date		name		material: SEE NOTES	
a Origin				drawn: 09.07.2010		Henneboel		title: D-SUB COMBINATION MALE	
rev. description date name				appd.: 09.07.2010		Koch		7W2P	
				norm				with threaded spacer clip	
				d-old				dwg no: Inventor 10	
								DIN-A3	
								sh: 1	
								part no: 3007W2PAR99E20X	

