

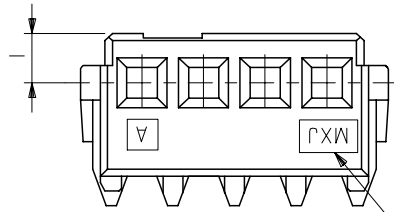
番号 NO.	名称 NAME	原料 MATERIAL	数量 QT'Y	仕上げ FINISH
①	ハウジング HOUSING	ナイロン NYLON	1	UL 94V-0
②	ターミナル TERMINAL	リン青銅 (+0.2) PHOSPHOR BRONZE(+0.2)	N	全体錫メッキ PRE-TINNED

注) NOTES

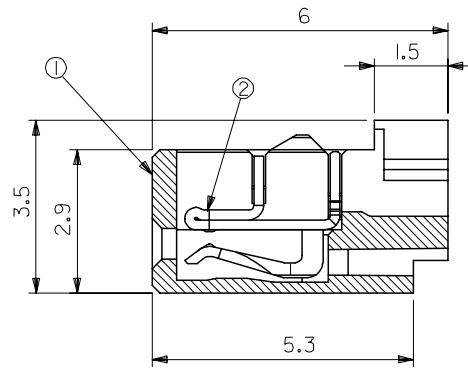
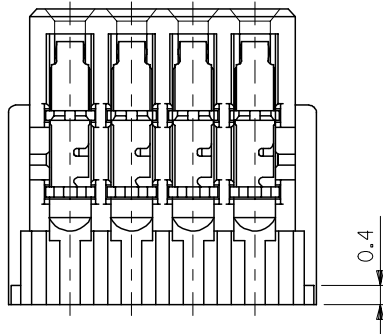
1. 原料および仕上げ : 表参照
MATERIAL AND FINISH : SEE CHART.

△ 製品番号
MATERIAL NO.
54596-***1*

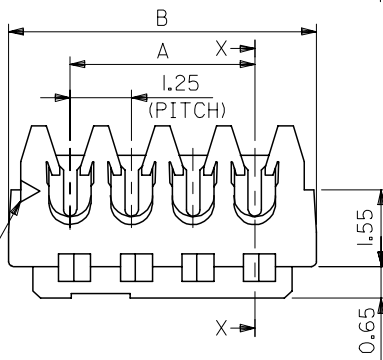
極数	CIRCUIT SIZE(02-20)	色	COLOR	10	12	13	NATURAL	RED	YELLOW



トレードマーク
TRADE MARK



SECTION X-X



26.25	23.75	20	54596-201*
25	22.5	19	54596-191*
23.75	21.25	18	54596-181*
22.5	20	17	54596-171*
21.25	18.75	16	54596-161*
20	17.5	15	54596-151*
18.75	16.25	14	54596-141*
17.5	15	13	54596-131*
16.25	13.75	12	54596-121*
15	12.5	11	54596-111*
13.75	11.25	10	54596-101*
12.5	10	9	54596-091*
11.25	8.75	8	54596-081*
10	7.5	7	54596-071*
8.75	6.25	6	54596-061*
7.5	5	5	54596-051*
6.25	3.75	4	54596-041*
5	2.5	3	54596-031*
3.75	1.25	2	54596-021*

54596-***1*

B	A	極数	製品番号	MODEL NO.
		CIRCUIT SIZE	MATERIAL NO.	

WIRE RANGE 適用電線範囲	AWG #26,#28
WIRE RANGE 被覆外径	φ0.8~φ0.9

REV	DESCRIPTION	GENERAL TOLERANCES (UNLESS SPECIFIED)
1	REVISED	10 UNDER ±0.2
2	EC NO: J2005-2687	10 OVER 30 UNDER ±0.25
3	DRWN: HOSOKAWA 2005/03/25	30 OVER ±0.3
4	CHKD: KTOYODA 2005/03/25	ANGULAR ±3 °
5	APPR: NUKITA 2005/04/05	DRAFT WHERE APPLICABLE MUST REMAIN WITHIN DIMENSIONS

DIMENSION STYLE	SCALE	DESIGN UNITS	THIRD ANGLE PROJECTION
MM ONLY	10:1	METRIC	☉ □
DRAWN BY	DATE	TITLE	
HTAKASE	'99/04/29	SMALL M12 REC. ASS'Y(SN)	
CHECKED BY	DATE	MOLEX MOLEX INCORPORATED	
YIITO		DOCUMENT NO. SD-54596-004	
APPROVED BY	DATE	SHEET NO. 1 OF 1	
HIKESUGI			
MATERIAL NO.			
SEE CHART			
THIS DRAWING CONTAINS INFORMATION THAT IS PROPRIETARY TO MOLEX INCORPORATED AND SHOULD NOT BE USED WITHOUT WRITTEN PERMISSION			