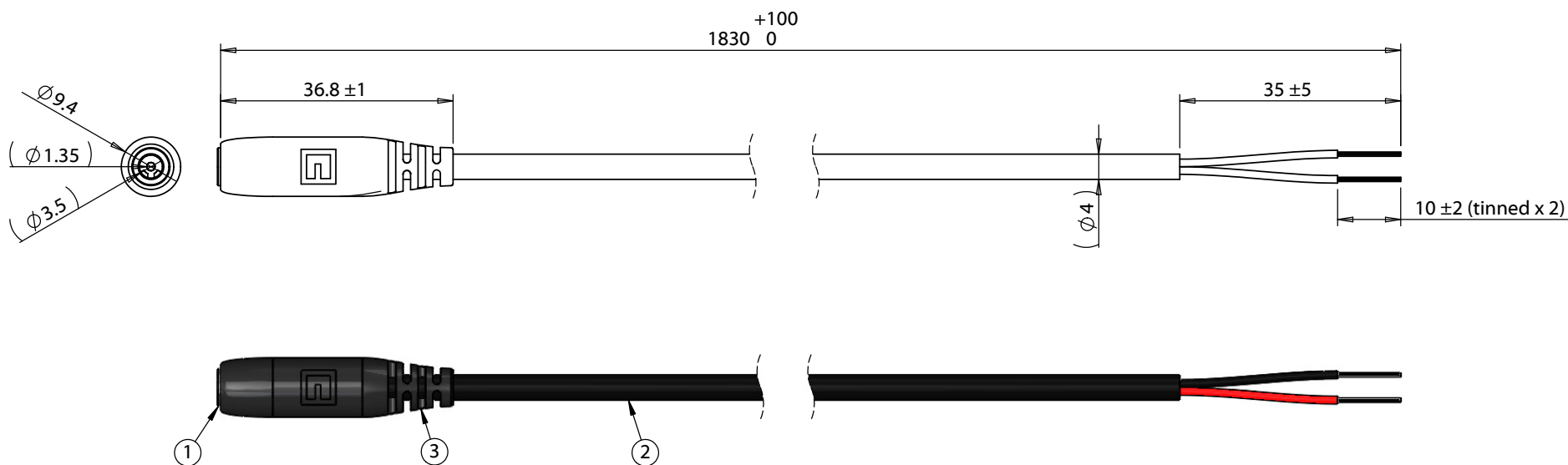


ITEM NO.	PART NUMBER	DESCRIPTION	QTY.	COMPONENT NOTES
1	50-00057	Connector, dc jack, 3.5x1.35xL16.5 mm, molding style	1	
2	30-00692	Wire, 2C TS, 24 AWG, UL2464, 300V, 80C, 4.0 mm, VW-1, PVC	1	
3	24-00184	Overmold, dc jack, 3.5 mm, Tensility	1	black, PVC



**Notes:**  
Functionally equivalent components may be substituted

Electrical requirements: 4 A, 12 Vdc

Wiring Diagram	
50-00057	wire color
center	red
sleeve	black

Revision:	Date:	Description:	Prepared: AW <small>Digitally signed by AW Date: 2018.06.25 13:53:27 -07'00'</small>	Notes:	<h1>TENSILITY</h1> <p>tel 1.541.323.3228 800 877.670.7118 fax 1.541.323.4202 web tensility.com</p>				
A	9/13/2016	Initial release	Verified: GL <small>Digitally signed by GL Date: 2018.06.25 14:17:36 -07'00'</small>	RoHS compliant					
			Dimensions are in millimeters. Tolerances: X: ± 0.5 mm X.X: ± 0.3 mm X.XX: ± 0.05 mm	Function test: no open, no short circuit, no intermittent					
				Description: Cable, 1830 mm, 3.5x1.35 mm 50-00057 dc jack to stripped tinned, 24 AWG, 30-00692 wire	<table border="1"> <tr> <td>Size:</td> <td>Part number:</td> </tr> <tr> <td>A</td> <td>10-02249</td> </tr> </table>	Size:	Part number:	A	10-02249
Size:	Part number:								
A	10-02249								
				Scale: 1:1	