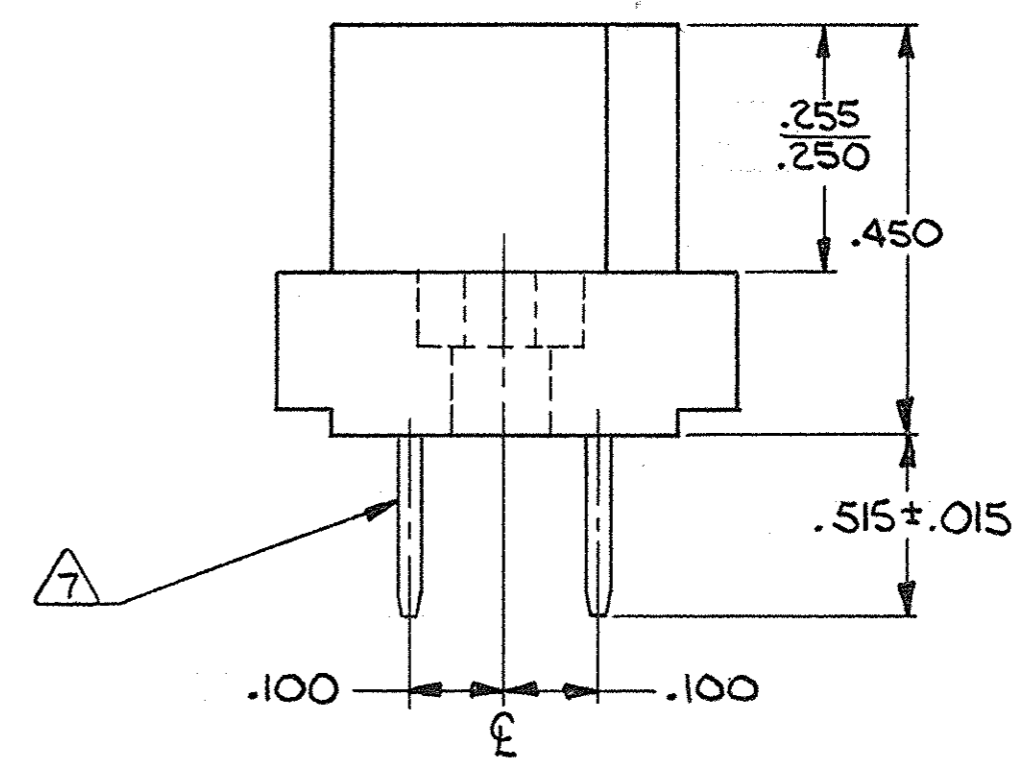
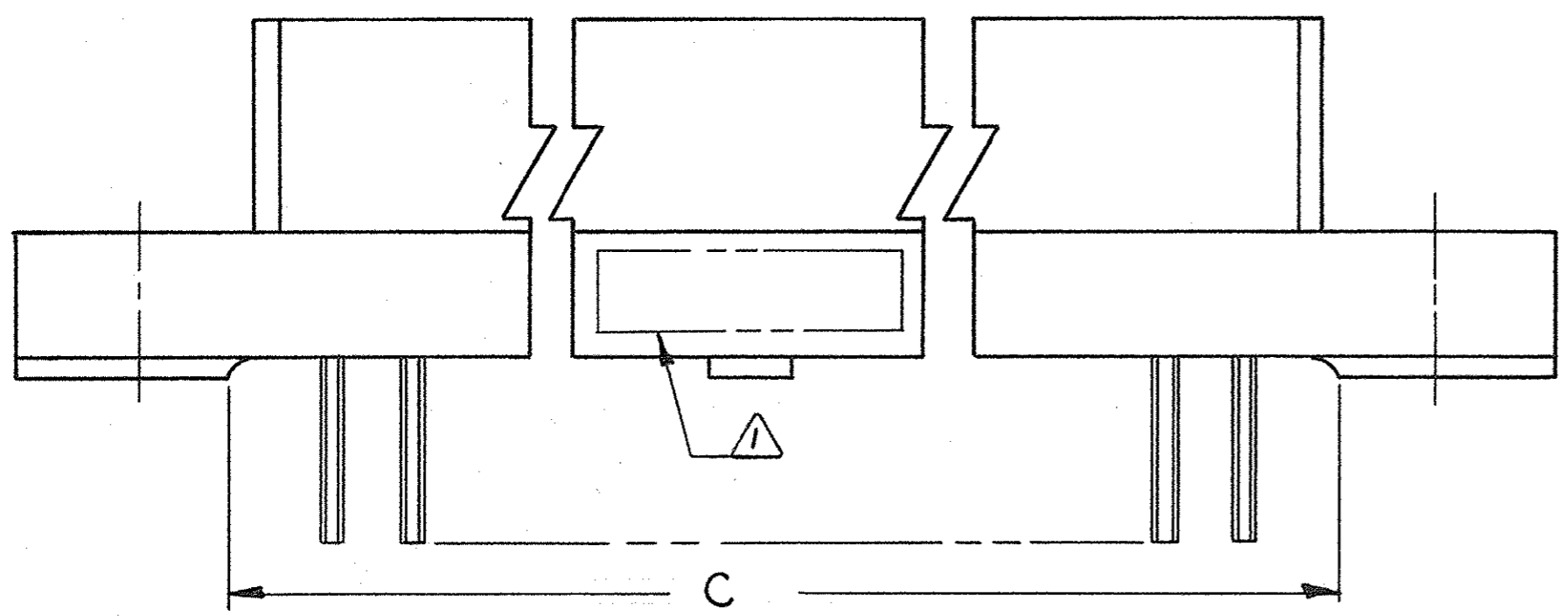
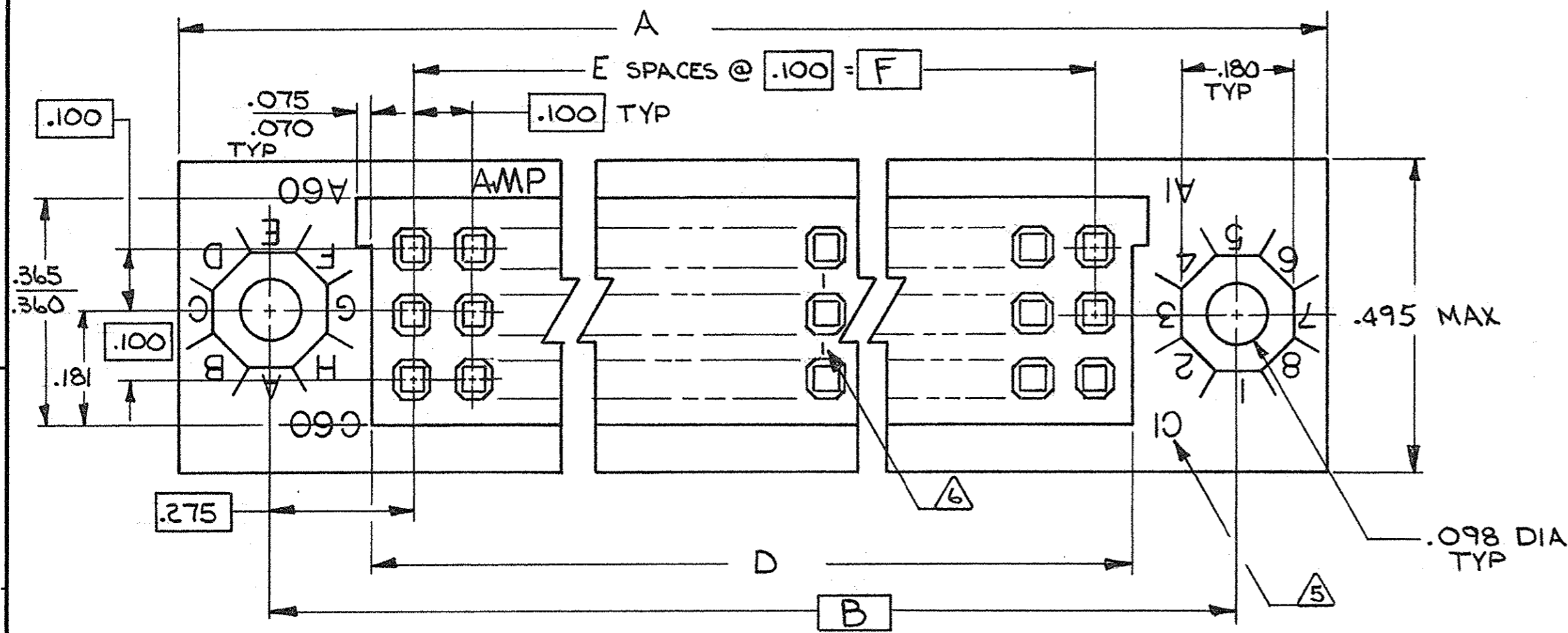


© COPYRIGHT 19... BY AMP INCORPORATED, HARRISBURG, PA.
ALL INTERNATIONAL RIGHTS RESERVED. AMP INCORPORATED PRODUCTS
COVERED BY U. S. AND FOREIGN PATENTS AND/OR PATENTS PENDING.

REVISIONS					
P	F	ZONE	LTR	DESCRIPTION	DATE APPROVED
		O ₁		REVISED 7461 A.M.S.	7-81
		O ₂		REVISED ECN 7982 WPL	6-82 EAM
		A		REVISED 8171 M.S.	10-82 EAM
		B		REV. PER ECN AB-0535	db 1-23-85 EAM
		B ₁		ADD -2; ECN AB-1502	db 4-86 EAM
		C		REV PER ECN DF-6973	WDB 4-1-93
		D		REV 0600-5641-96	T 9-97
		E		REV PER ECO-07-004569	3-07 PY



- ① (CUSTOMER P/N) AMP, DATE CODE, AMP P/N MARKED THIS AREA.
- ② HOUSING MATERIAL - POLYPHENYLENE SULFIDE, GST-40F PER MIL-M-24519.
- ③ CONTACT MATERIAL - BERYLLIUM COPPER OR COPPER NICKEL SILICONE
- ④ FINISH: .000030 GOLD OVER, .000030 NICKEL ALL OVER.
- ⑤ LETTERS INDICATING OUTSIDE ROWS AND NUMBERS INDICATING END CAVITIES MARKED THIS SURFACE.
- ⑥ LINES INDICATING EVERY FIVE CAVITIES MARKED ON MATING FACE.
- ⑦ ONLY ROWS A + C ARE LOADED.

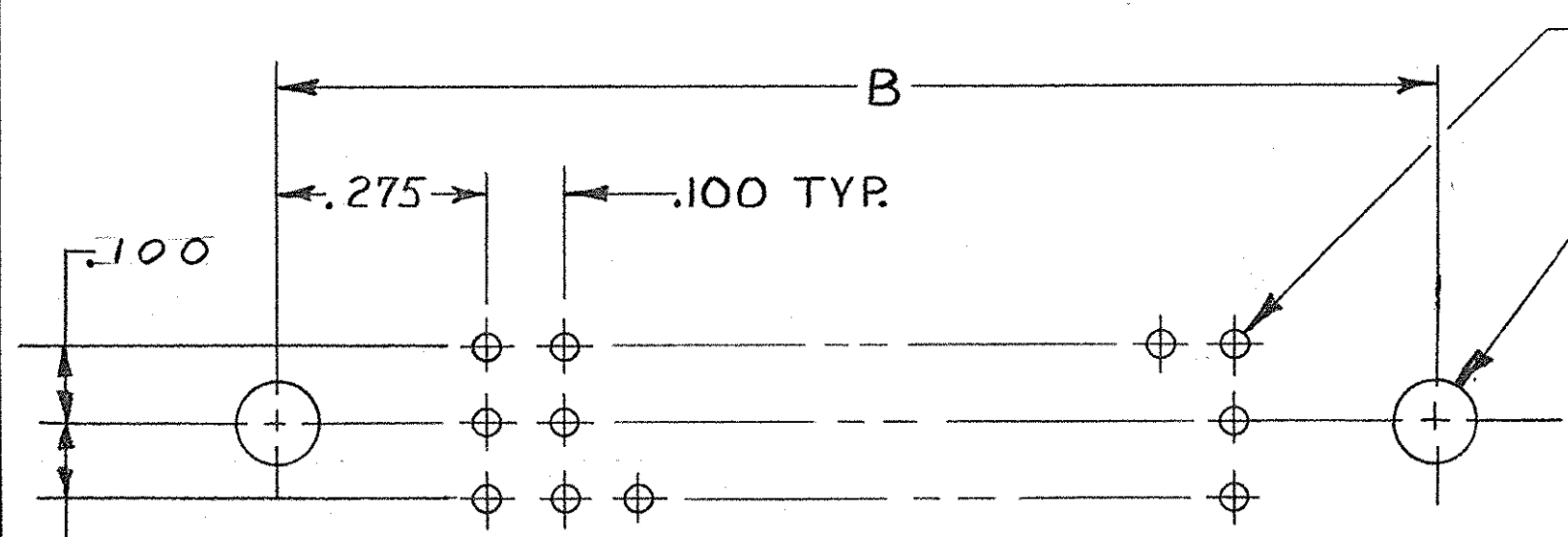
UNLESS OTHERWISE SPECIFIED DIMENSIONS ARE IN INCHES. TOLERANCES ON: DECIMALS ± .010 ANGLES ± .010		CONTRACT NO DR <i>D'Evans</i> 4-1-80 CHK <i>W. Hutchins</i> 4/3/80 APPD. <i>W. Hutchins</i> 4/3/80 APPD. <i>E. Parsons</i> 4/3/80		PART NO	
MATERIAL ②③	FINISH ④	DSGN APPD		OTHER APPD	
		AMP INCORPORATED Harrisburg, Pa.		NAME RECEPTACLE ASS'Y, .100 ℄, 3 ROW W/ MOUNTING EARS, BOX CONTACT, WIRE WRAP POSTS	
		SIZE C	CODE IDENT NO 00779	DRAWING NO 531847	REV E
		SCALE 5:1		SHEET 1 OF 2	

531847

© COPYRIGHT 19 BY AMP INCORPORATED, HARRISBURG, PA.
ALL INTERNATIONAL RIGHTS RESERVED. AMP INCORPORATED PRODUCTS
COVERED BY U. S. AND FOREIGN PATENTS AND/OR PATENTS PENDING.

REVISIONS					
P	F	ZONE/LTR	DESCRIPTION	DATE	APPROVED

SEE SHEET 1



	(774444-3)	3.900	39	4.024	4.125	4.450	4.750	120	531847-2
OBS	(774444-2)	5.900	59	6.024	6.125	6.450	6.750	180	531847-1
	CUSTOMER P/N	F	E	D	C	B	A	NO. OF POS	PART NO

UNLESS OTHERWISE SPECIFIED DIMENSIONS ARE IN INCHES. TOLERANCES ON: DECIMALS ± .010 ANGLES ±	CONTRACT NO		AMP AMP INCORPORATED Harrisburg, Pa.			
	DR <i>D & Evans</i>	4-1-80				
MATERIAL	CHK <i>W. Fitchard Jr.</i>	4/3/80	NAME RECEPTACLE ASS'Y, .100", 3 ROW W/MOUNTING EARS, BOX CONTACT, WIRE WRAP POST			
	APPD <i>W. Fitchard Jr.</i>	4/3/80				
FINISH	APPD <i>S. Parsons</i>	4/3/80	SIZE	CODE IDENT NO	DRAWING NO	REV
	DSGN APPD	OTHER APPD	C	00779	531847	E
			SCALE	5:1	SHEET	2

531847