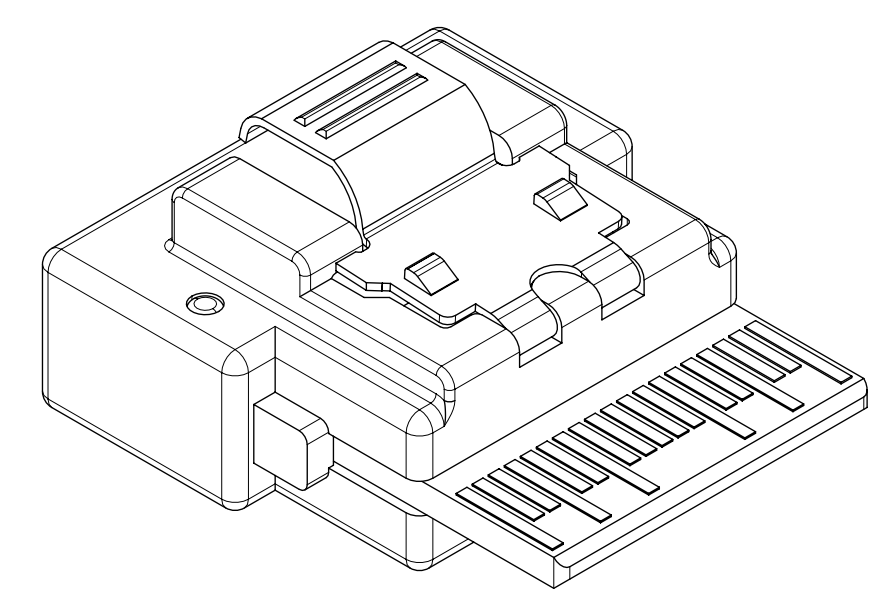


MOLEX P/N	LENGTH	TOLERANCE (mm)	AWG	IMPEDANCE	EE SPEC	LABEL CONTEXT
2073701000	152mm	±10	32	100 OHMS	SAS 4.0	SAS4.0 100 Ohm
2073701001	300mm	±10	32	100 OHMS	SAS 4.0	SAS4.0 100 Ohm
2073701002	1000mm	±15	32	100 OHMS	SAS 4.0	SAS4.0 100 Ohm
2073701003	500mm	±10	32	100 OHMS	SAS 4.0	SAS4.0 100 Ohm
2073701300	152mm	±10	32	100 OHMS	SAS 3.0	SAS3.0 100 Ohm
2073701301	300mm	±10	32	100 OHMS	SAS 3.0	SAS3.0 100 Ohm
2073701302	1000mm	±15	32	100 OHMS	SAS 3.0	SAS3.0 100 Ohm
207370130	500mm	±10	32	100 OHMS	SAS 3.0	SAS3.0 100 Ohm
2073721001	300mm	±10	32	85 OHMS	PCIe 4.0	PCIe4.0 85 Ohm
2073721002	1000mm	±15	32	85 OHMS	PCIe 4.0	PCIe4.0 85 Ohm
2073721003	500mm	±10	32	85 OHMS	PCIe 4.0	PCIe4.0 85 Ohm



NOTES:
 1. MATERIAL:
 HOUSING - PC 94V-0 BLACK
 LATCH - STAINLESS STEEL
 EXPANDO - PET
 CABLE - SHIELD: ALUMINIZED POLYESTER FOIL
 - SIGNAL PAIR : SILVER-COATED COPPER
 - DRAIN: TIN-COATED COPPER
 - CONFORMS TO VW1
 PCB - FR4 (HALOGEN FREE)
 2. THIS PRODUCT CONFORMS TO THE MECHANICAL DIMENSIONING OF SFF-8654
 3. RoHS COMPLIANT. NO EXEMPTIONS

FUNCTIONAL SYMBOLS $\nabla_A = 0$ $\nabla_C = 0$ $\nabla_P = 0$ DIVISIONAL SYMBOLS	DIMENSION UNITS mm	SCALE 5:1	CURRENT REV DESC:			
	GENERAL TOLERANCES (UNLESS SPECIFIED)			EC NO: 750195 DRWN: AMRUTH 2023/05/19 CHK'D: PRARTP 2023/05/19 APPR: VPENG01 2023/05/19		
	ANGULAR TOL ± 3.0°			INITIAL REVISION: DRWN: LOU01 2018/06/28 APPR: VPENG01 2018/08/13		
	4 PLACES ± 3 PLACES ± 0.2 2 PLACES ± 0.3 1 PLACE ± 0.4 0 PLACES ±			DOCUMENT NUMBER 2073701000		
	DRAFT WHERE APPLICABLE MUST REMAIN WITHIN DIMENSIONS			THIRD ANGLE PROJECTION 	DRAWING D-SIZE	SERIES 207370

SLIMSAS 4X STR TO RAD CABLE ASSY.

PRODUCT CUSTOMER DRAWING

DOCUMENT NUMBER	DOC TYPE	DOC PART	REVISION
2073701000	PSD	000	E

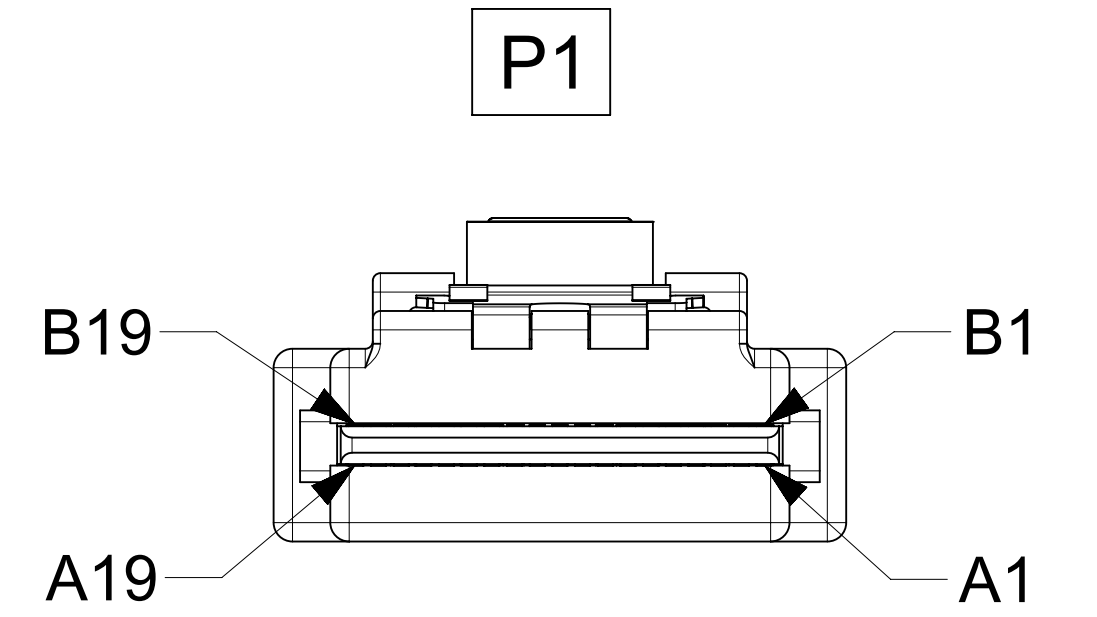
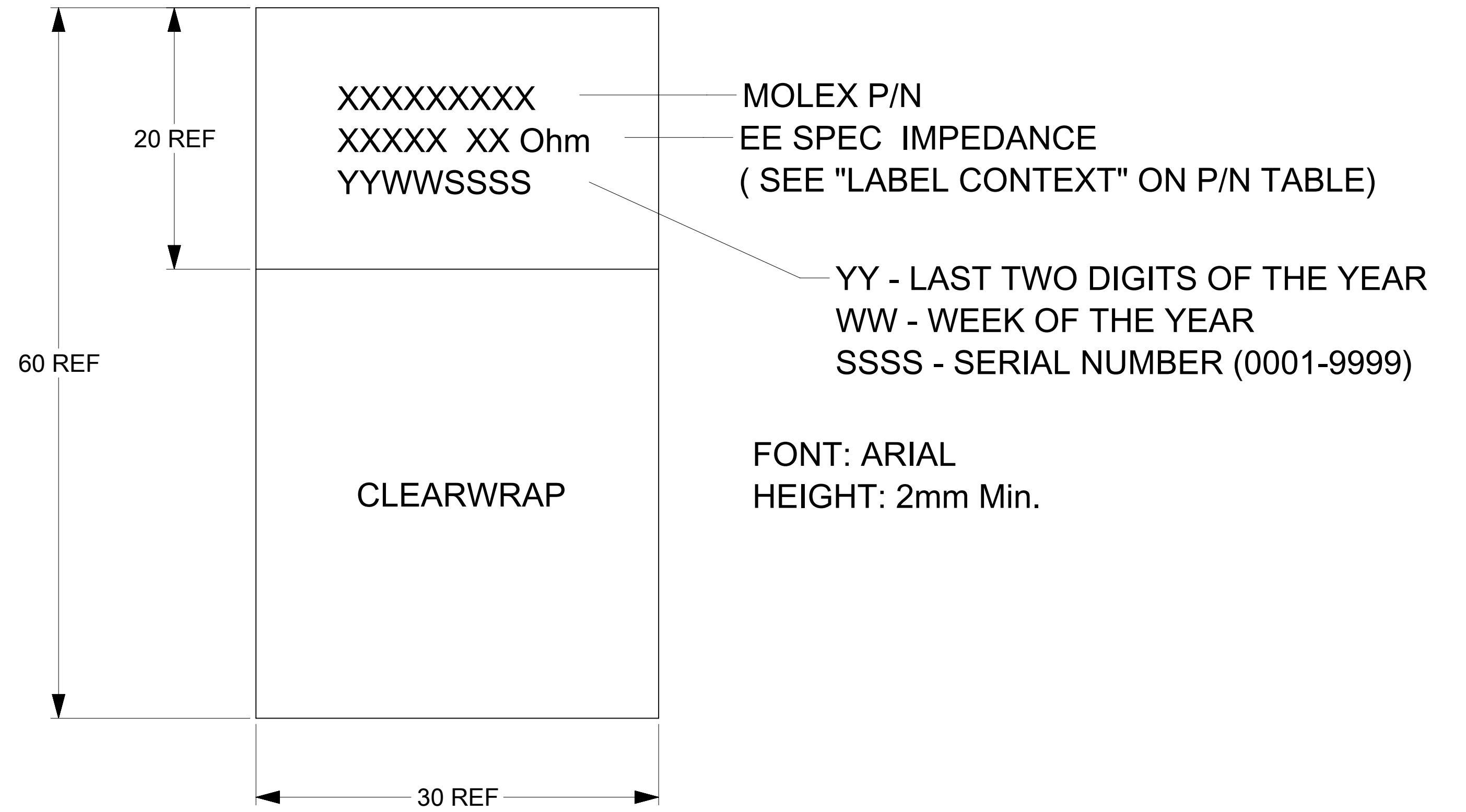
MATERIAL NUMBER	CUSTOMER	SHEET NUMBER
SEE P/N TABLE	GENERAL MARKET	1 OF 3

PINOUT DIAGRAM

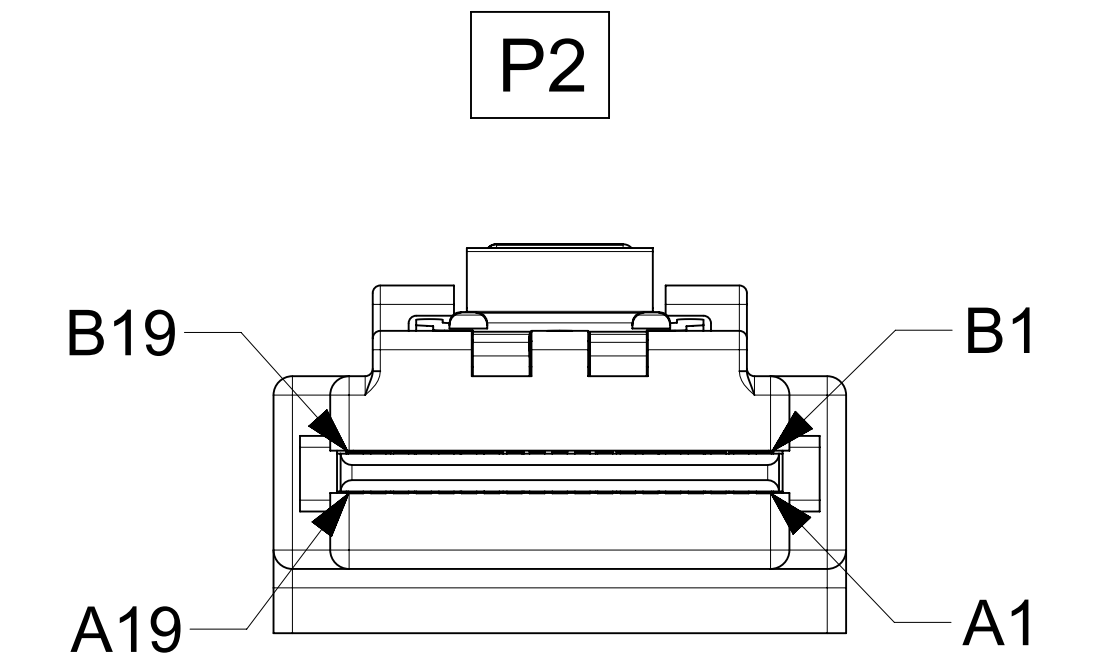
P1		SIGNAL TYPE	P2	
GND	A1	—	B1	GND
RX0+	A2	←	B2	TX0+
RX0-	A3	←	B3	TX0-
GND	A4	—	B4	GND
RX1+	A5	←	B5	TX1+
RX1-	A6	←	B6	TX1-
GND	A7	—	B7	GND
SB	A8	↔	B8	SB
SB	A9	↔	B9	SB
SB	A10	↔	B10	SB
SB	A11	↔	B11	SB
SB	A12	↔	B12	SB
GND	A13	—	B13	GND
RX2+	A14	←	B14	TX2+
RX2-	A15	←	B15	TX2-
GND	A16	—	B16	GND
RX3+	A17	←	B17	TX3+
RX3-	A18	←	B18	TX3-
GND	A19	—	B19	GND
GND	B1	—	A1	GND
TX0+	B2	→	A2	RX0+
TX0-	B3	→	A3	RX0-
GND	B4	—	A4	GND
TX1+	B5	→	A5	RX1+
TX1-	B6	→	A6	RX1-
GND	B7	—	A7	GND
SB	B8	↔	A8	SB
SB	B9	↔	A9	SB
SB	B10	↔	A10	SB
SB	B11	↔	A11	SB
SB	B12	↔	A12	SB
GND	B13	—	A13	GND
TX2+	B14	→	A14	RX2+
TX2-	B15	→	A15	RX2-
GND	B16	—	A16	GND
TX3+	B17	→	A17	RX3+
TX3-	B18	→	A18	RX3-
GND	B19	—	A19	GND

—————> = TRANSMIT TO RECEIVE ON HIGH SPEED CIRCUITS
 ————— = GND
 <—————> = SIDEBAND
 NOTE: ALL SIGNAL GROUND ARE BUSSED IN PCB.

LABEL DETAIL



VIEW FROM MATING END OF THE CONNECTOR



VIEW FROM MATING END OF THE CONNECTOR

FUNCTIONAL SYMBOLS FA = 0 FC = 0 FD = 0	THIS DRAWING CONTAINS INFORMATION THAT IS PROPRIETARY TO MOLEX ELECTRONIC TECHNOLOGIES, LLC AND SHOULD NOT BE USED WITHOUT WRITTEN PERMISSION		CURRENT REV DESC:		
	mm	1:1			
DIVISIONAL SYMBOLS	GENERAL TOLERANCES (UNLESS SPECIFIED)		EC NO: 750195		SLIMSAS 4X STR TO RAD CABLE ASSY.
	ANGULAR TOL ± 3.0°		DRWN: AMRUTH 2023/05/19		
	4 PLACES ±	CHK'D: PRARTP 2023/05/19		PRODUCT CUSTOMER DRAWING	
	3 PLACES ± 0.2	APPR: VPENG01 2023/05/19		DOCUMENT NUMBER	
	2 PLACES ± 0.3	INITIAL REVISION:		DOC TYPE DOC PART REVISION	
1 PLACE ± 0.4	DRWN: LOU01 2018/06/28		2073701000 PSD 000 E		
0 PLACES ±	APPR: VPENG01 2018/08/13		MATERIAL NUMBER CUSTOMER		
DRAFT WHERE APPLICABLE MUST REMAIN WITHIN DIMENSIONS		THIRD ANGLE PROJECTION	DRAWING	SERIES	SHEET NUMBER
			D-SIZE	207370	2 OF 3
			SEE P/N TABLE	GENERAL MARKET	

REVISION TABLE			
DATE	REV	DESCRIPTION	ENGINEER
2020/07/17	C	ADDED THE 500MM LENGTH P/N TO THE P/N TABLE	SACHIN M K
2021/03/31	D	SHEET 1: UPDATED THE SLIMSAS 4X STR MODEL TO THE LATEST VERSION	SACHIN M K
2023/05/19	E	SHEET 02: UPDATED LABEL NOTE TO "SSSS - SERIAL NUMBER (0001-9999)"	AMRUTH

FUNCTIONAL SYMBOLS	THIS DRAWING CONTAINS INFORMATION THAT IS PROPRIETARY TO MOLEX ELECTRONIC TECHNOLOGIES, LLC AND SHOULD NOT BE USED WITHOUT WRITTEN PERMISSION		
	DIMENSION UNITS	SCALE	CURRENT REV DESC:
$\nabla_A = 0$	mm	1:1	<p>molex</p> <p>SLIMSAS 4X STR TO RAD CABLE ASSY.</p> <p>PRODUCT CUSTOMER DRAWING</p> <p>EC NO: 750195 DRWN: AMRUTH 2023/05/19 CHK'D: PRARTP 2023/05/19 APPR: VPENG01 2023/05/19</p> <p>INITIAL REVISION: DRWN: LOU01 2018/06/28 APPR: VPENG01 2018/08/13</p>
$\nabla_C = 0$	GENERAL TOLERANCES (UNLESS SPECIFIED)		
$\nabla_P = 0$	ANGULAR TOL ± 3.0°		
DIVISIONAL SYMBOLS	4 PLACES	±	
	3 PLACES	± 0.2	
	2 PLACES	± 0.3	
	1 PLACE	± 0.4	
	0 PLACES	±	
DRAFT WHERE APPLICABLE MUST REMAIN WITHIN DIMENSIONS		THIRD ANGLE PROJECTION	<p>DOCUMENT NUMBER: 2073701000</p> <p>DOC TYPE: PSD</p> <p>DOC PART: 000</p> <p>REVISION: E</p>
DOCUMENT STATUS	P1	RELEASE DATE	2023/05/19 16:15:28
DRAFT WHERE APPLICABLE MUST REMAIN WITHIN DIMENSIONS		DRAWING	SERIES
			D-SIZE 207370
		MATERIAL NUMBER	CUSTOMER
		SEE P/N TABLE	GENERAL MARKET
		SHEET NUMBER 3 OF 3	