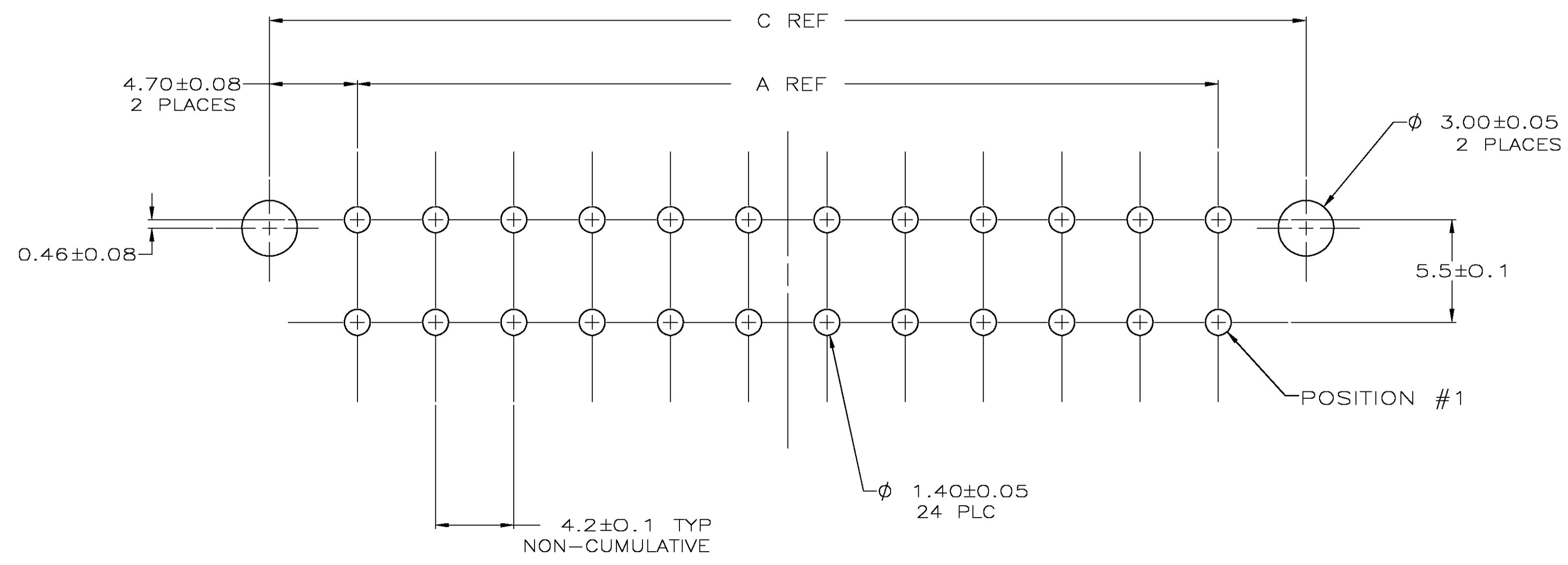
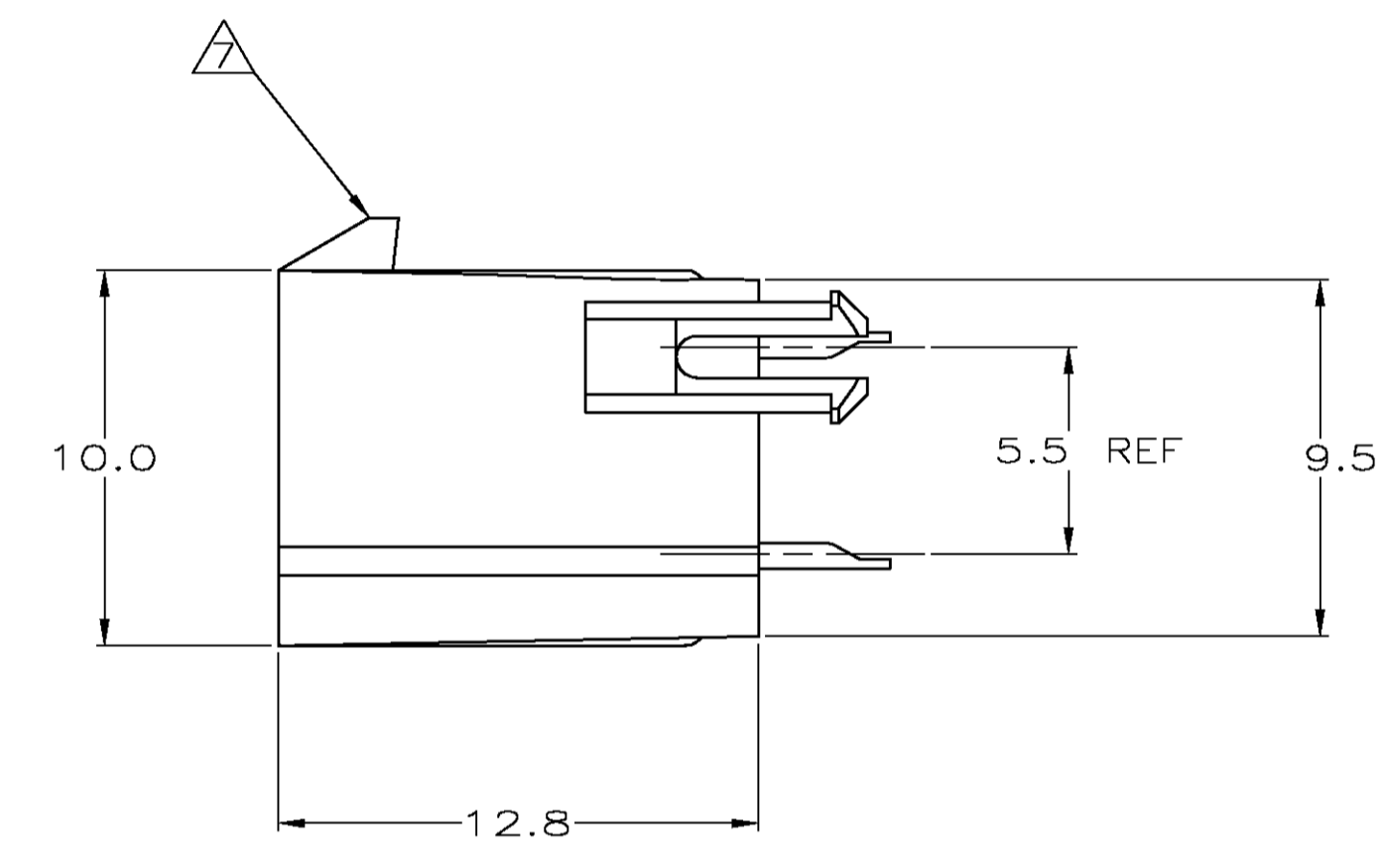
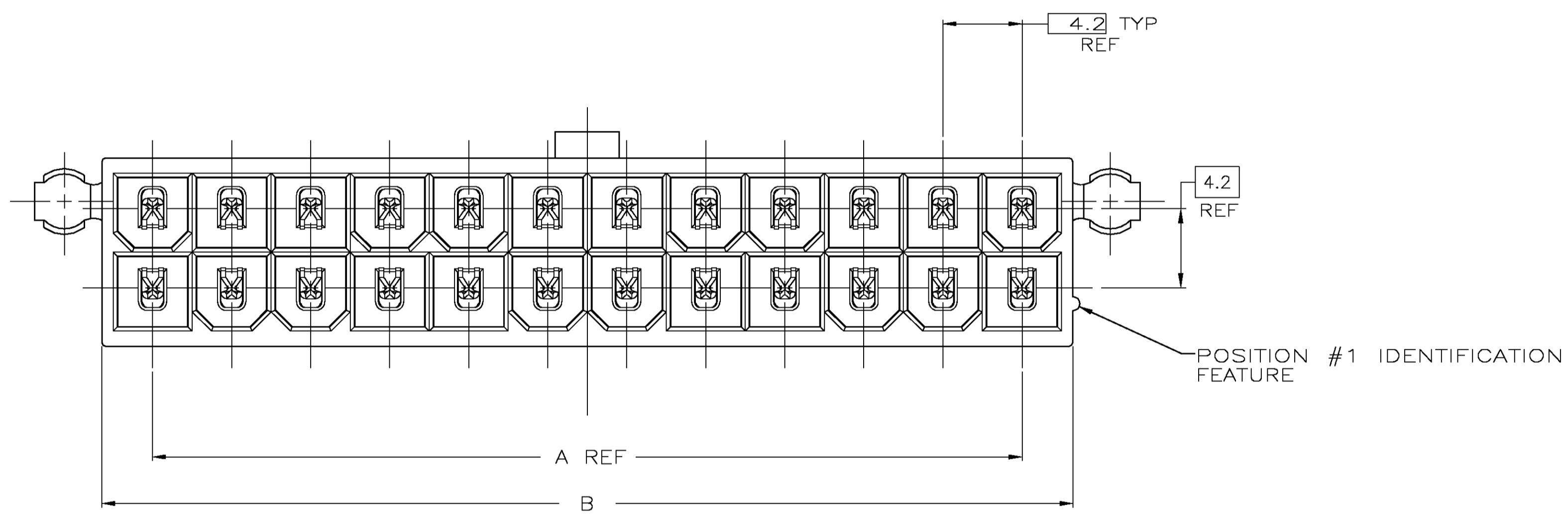


- △ MATERIAL: HOUSING - NYLON, UL94V-2 (COLOR - NATURAL, COLOR OF PARTS MAY VARY). CONTACTS - 0.25 THK COPPER ALLOY.
- △ CONTACT FINISH: 0.00076 MIN THK GOLD PLATE ON PIN MATING SURFACE, 0.003 MIN THK TIN PLATE ON SOLDER TAIL, ALL OVER 0.00127 MIN THK NICKEL BASE PLATE.
- 3. SOLDER TAIL MEETS AMP SOLDERABILITY SPECIFICATION 109-11-2.
- 4. MATES WITH SIMILARLY PLATED AMP-DUAC™ POWER CONNECTOR RECEPTACLE HOUSINGS/SOCKET CONTACTS.
- △ RIBS ON FOUR CORNERS OPTIONAL.
- △ AMP LOGO AND MATERIAL ID MAY BE LOCATED ON EITHER LONG SIDE OF PART.
- △ SIZE, SHAPE OR STYLE OF THIS FEATURE MAY VARY.



RECOMMENDED MOUNTING HOLE PATTERN FOR 1.78 MAX THICK P.C. BOARD COMPONENT SIDE SHOWN

58.8	55.6	51.6	46.2	24	2-1586490-4
54.6	51.4	47.4	42.0	22	2-1586490-2
50.4	47.2	43.2	37.8	20	2-1586490-0
46.2	43.0	39.0	33.6	18	1-1586490-8
42.0	38.8	34.8	29.4	16	1-1586490-6
37.8	34.6	30.6	25.2	14	1-1586490-4
33.6	30.4	26.4	21.0	12	1-1586490-2
29.4	26.2	22.2	16.8	10	1-1586490-0
25.2	22.0	18.0	12.6	8	1586490-8
21.0	17.8	13.8	8.4	6	1586490-6
16.8	13.6	9.6	4.2	4	1586490-4
12.6	9.4	5.4	0.0	2	1586490-2
D	C	B	A	NO. OF POSITIONS	PART NO



THIS DRAWING IS A CONTROLLED DOCUMENT.

DRAWN: K. WHITAKER	20JUNE2005		Tyco Electronics Corporation		
CHEK: D. COLEY	20JUNE2005		Harrisburg, Pa 17105-3508		
APPROV: D. COLEY	20JUNE2005	NAME:	ASSEMBLY, HEADER, VERTICAL, GOLD PLATED, W/PEGS, W/O DRAIN HOLES, 94V-2, AMP-DUAC		
DIMENSIONS: mm		PRODUCT SPEC:	108-1699		
TOLERANCES UNLESS OTHERWISE SPECIFIED:		APPLICATION SPEC:	-		
0 PLC	± -	SIZE:	A1		
1 PLC	± 0.2	WEIGHT:	-		
2 PLC	± 0.13	CUSTOMER DRAWING	SCALE 5:1 SHEET 1 OF 1 REV 0		
3 PLC	± -				
4 PLC	± -				
ANGLES	± 0.30°				
MATERIAL	△				
FINISH	△				