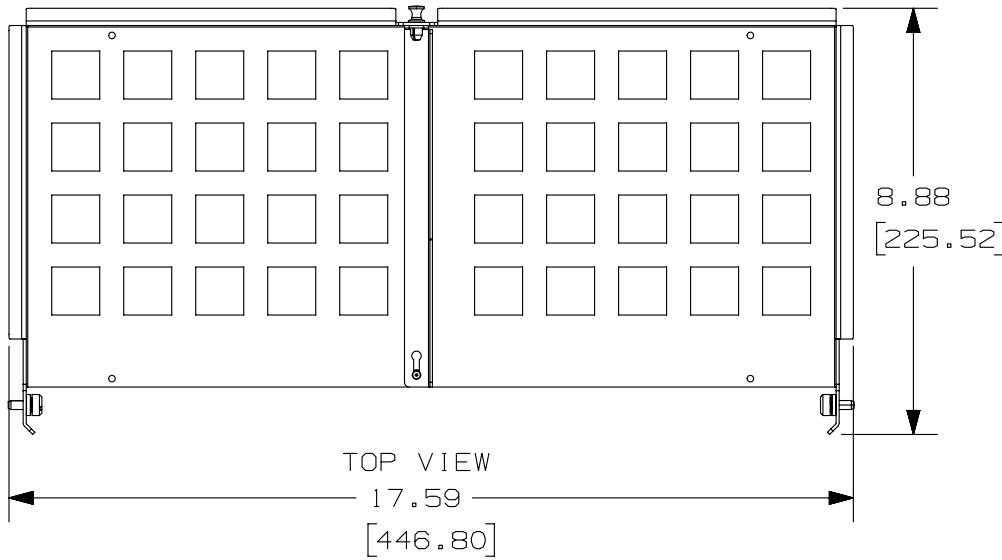
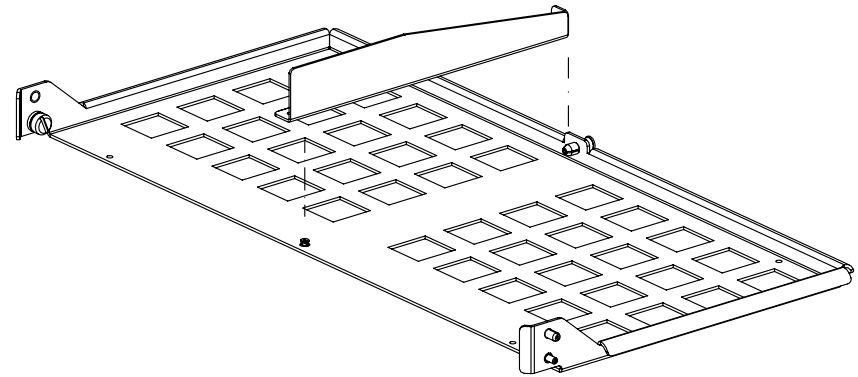
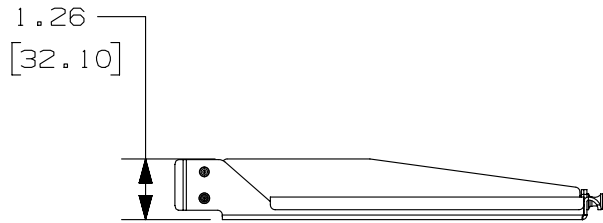


THIS COPY IS PROVIDED ON A RESTRICTED BASIS AND IS NOT TO BE USED IN ANY WAY DETRIMENTAL TO THE INTERESTS OF PANDUIT CORP.




- NOTES:
1. SEE CATALOG FOR COMPLETE LIST OF PARTS APPLICABLE FOR USE WITH THIS PART.
 2. DIMENSIONS IN BRACKETS ARE METRIC.
 3. MATERIAL: GALVANNEALED STEEL
COLOR: BLACK
WEIGHT: 3.55 lb (1.61 kg)
 4. INCLUDES QUICK-RELEASE DIVIDER WALL TO PREVENT FURCATION TANGLING.
 5. TOOLLESS MOUNTING TO REAR OF HD FLEX ENCLOSURE.
 6. ALL MATERIALS AND COMPONENTS USED MEET THE MATERIAL RESTRICTIONS OF RoHS (EUROPEAN DIRECTIVE 2011/65/EC ON THE RESTRICTION OF HAZARDOUS SUBSTANCES) AS PROPOSED BY THE RoHS TECHNICAL ADAPTATION COMMITTEE.



LEFT SIDE VIEW

ISO VIEW

						TITLE		HD FLEX 1RU REAR SLACK MANAGEMENT PLATE				
						CUSTOMER DRAWING						
						ITEM REVISION NAME		12F187JG/00				
						DATASET FILE NAME		12F187JG_DC/00A				
						UNLESS OTHERWISE SPECIFIED, DIMENSIONAL TOLERANCES ARE: IN (mm)		 PART NO. FLEX-PLATE1U				
						.X ± .XX ± .03 (0.8) .XXX ± .010 (0.3) ANGLES ±						
00	01-13-15	SAT	BSN	TMK	RELEASED TO PRODUCTION	12F187JG-DC		DRAWING NUMBER: 12F187JG-DC				
REV	DATE	BY	CHK	APR	DESCRIPTION	ECN	DRAWN BY SAT	DATE 01-13-15	CHK BSN	SCALE 1:4	SHT 1 OF 1	SIZE A