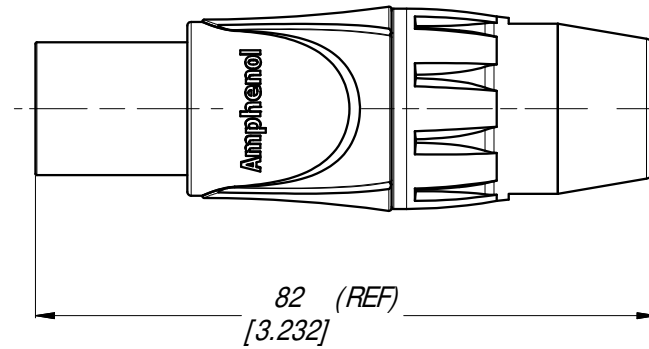


3D VIEW  
1:1



UL CERTIFICATE 20140623-E339831

UNLESS OTHERWISE SPECIFIED TOLERANCE TO BE		THIS DOCUMENT IS THE PROPERTY OF AMPHENOL AUSTRALIA PTY. LTD. . NO PART THEREOF MAY BE REPRODUCED AND USED WITHOUT THE PRIOR WRITTEN CONSENT OF THE OWNER.				<b>Amphenol</b>		Amphenol Australia Pty.Ltd, 22 Industry Blvd Carrum Downs, VIC 3201	
LINEAR	ANGULAR	MATERIAL:	DRN: T.N	DATE: 21/01/14	TITLE:		PART No:	REV	
X ±	X' ±	BREAK ALL SHARP EDGES AND REMOVE ALL BURRS DO NOT SCALE	CKD: P.M	DATE: 22/01/14	CONNECTOR PLUG POWER IN - BLUE CUSTOMER DWG		HP-3-F	1	
X.X ±	X.X' ±		APPD: P.M	DATE: 22/01/14			DRAWING No.	SHEET	
X.XX ±	X.XX' ±		SCALE: 1:1	SIZE: A4			55010925-000	2/2	
DIMENSIONS IN MILLIMETRES		FINISH:		THIRD ANGLE PROJECTION					