

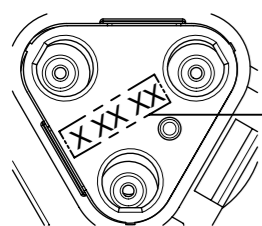
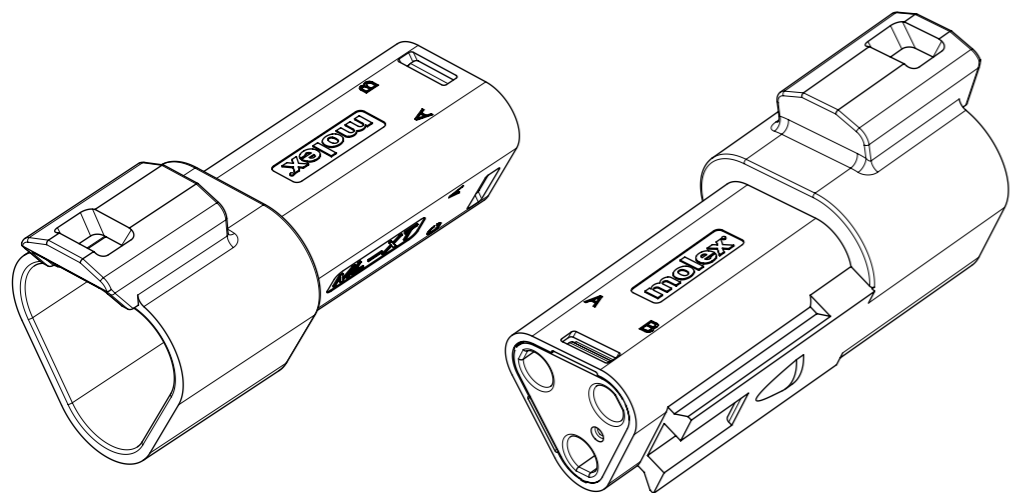
PENDING APPROVAL

NOTES
1. SEE SHEETS 2 TO 7 FOR ALL UNSPECIFIED NOTES, DIMENSIONS AND PART NUMBERS

THIS DRAWING CONTAINS INFORMATION THAT IS PROPRIETARY TO MOLEX ELECTRONIC TECHNOLOGIES, LLC AND SHOULD NOT BE USED WITHOUT WRITTEN PERMISSION											
SYMBOLS		DIMENSION UNITS		SCALE		CURRENT REV DESC: SEE LONG TEXT					
▽ = 0		mm									
▽ = 0		GENERAL TOLERANCES (UNLESS SPECIFIED)				EC NO: 615165		DRWN: MQUINN		2019/08/16	
▽ = 0		ANGULAR TOL ± 2.0°				CHK'D: JFLETCHER		2019/08/23		APPR:	
▽ = 0		4 PLACES ±				INITIAL REVISION:		DRWN: JFLETCHER		2014/12/12	
▽ = 0		3 PLACES ±				APPR: JDWALLACE		2015/01/22		DOCUMENT NUMBER	
▽ = 0		2 PLACES ± 0.1						934430020		DOC TYPE DOC PART REVISION	
▽ = 0		1 PLACE ± 0.2								PSD 000 D2	
▽ = 0		0 PLACES ±									
□ = 0		DRAFT WHERE APPLICABLE MUST REMAIN WITHIN DIMENSIONS				THIRD ANGLE PROJECTION		DRAWING		SERIES	
▽ = 0						A3-SIZE		93443		MATERIAL NUMBER	
						SEE CHART		GENERAL MARKET		SHEET NUMBER	
										1 OF 7	

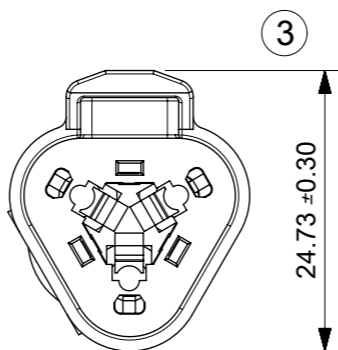
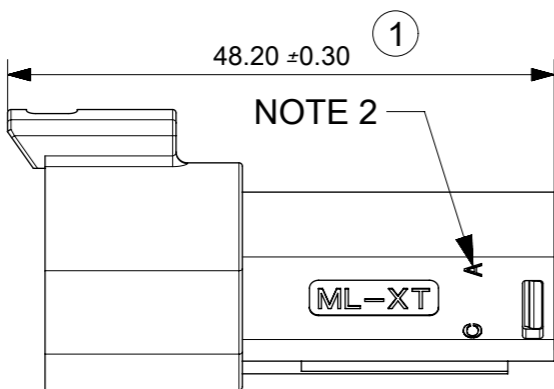
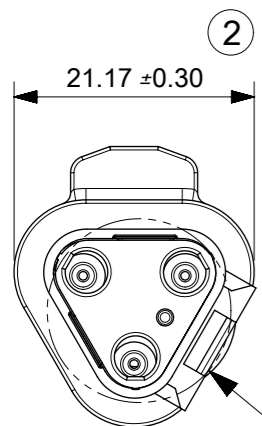
DOCUMENT STATUS	RQ	RELEASE DATE	
-----------------	----	--------------	--

3CCT RECEPTACLE CONNECTOR



DETAIL A
SCALE 2:1

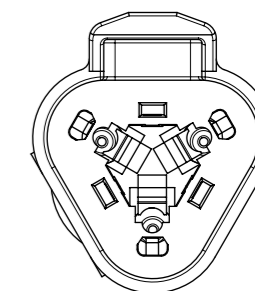
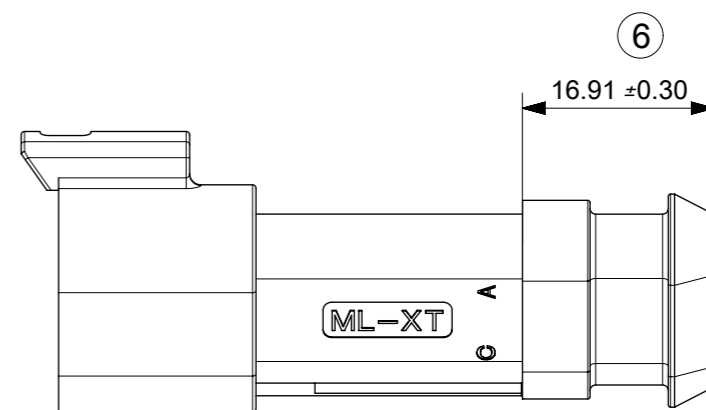
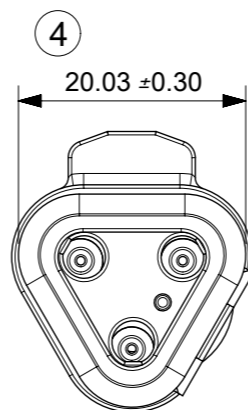
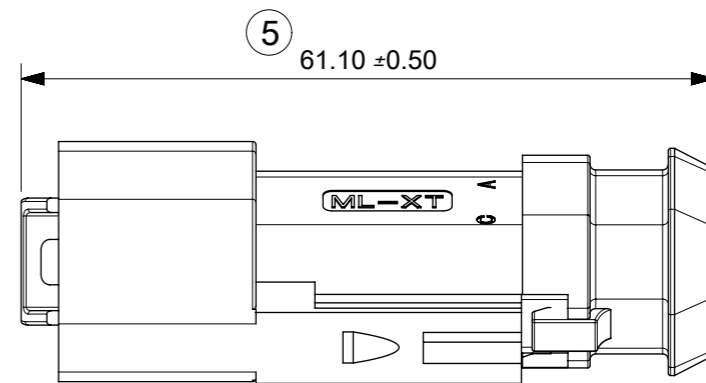
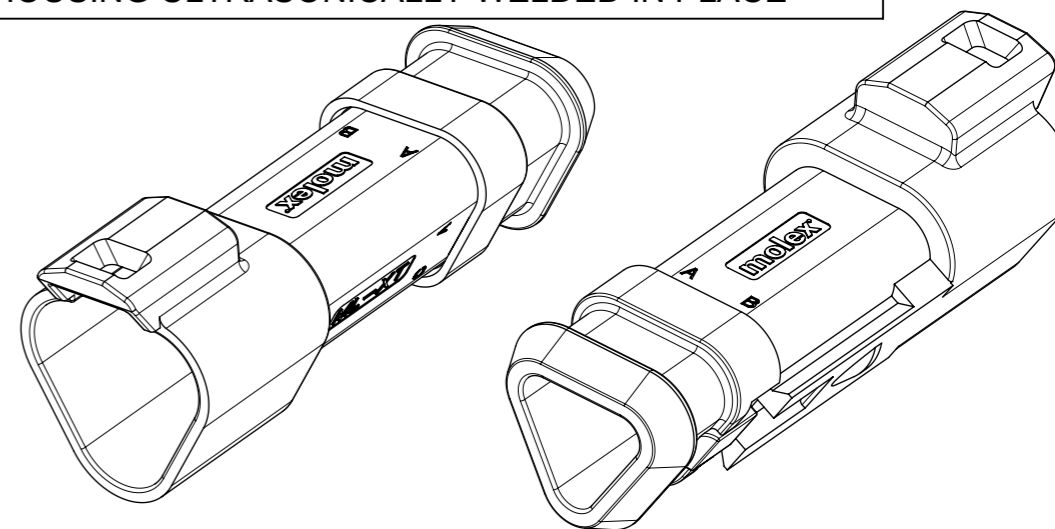
DATE CODE: X XX XX
X—DAY: 1- 7
X — WEEK: 01 - 52
X — YEAR: 00 - 99
— MACHINE NO. 1
EXAMPLE: 11315 = DAY 1, WEEK 13,
YEAR 15 i.e. 23rd OF MARCH 2015



1. MATERIAL
HOUSING: NYLON 30% GLASS FILLED
BACK SEAL: HIGH CONSISTENCY RUBBER
 2. CIRCUIT IDENTIFICATION
 3. JACKET RANGE LARGE = \varnothing 2.23MM TO 3.68MM (SEAL COLOUR: LIGHT BLUE)
JACKET RANGE SMALL = \varnothing 1.20MM TO 3.05MM (SEAL COLOUR: BURNT ORANGE)
 4. SEE SHEET 3 FOR FINAL PART NUMBER
 5. SEE 934430010 PS P FOR PRODUCT SPECIFICATION
 6. SEE 934430002 PS K FOR PACKAGING SPECIFICATION
- INSPECTION NUMBERS 1 - 50 RESERVED FOR SHEET 2
LAST INSPECTION NO. 6

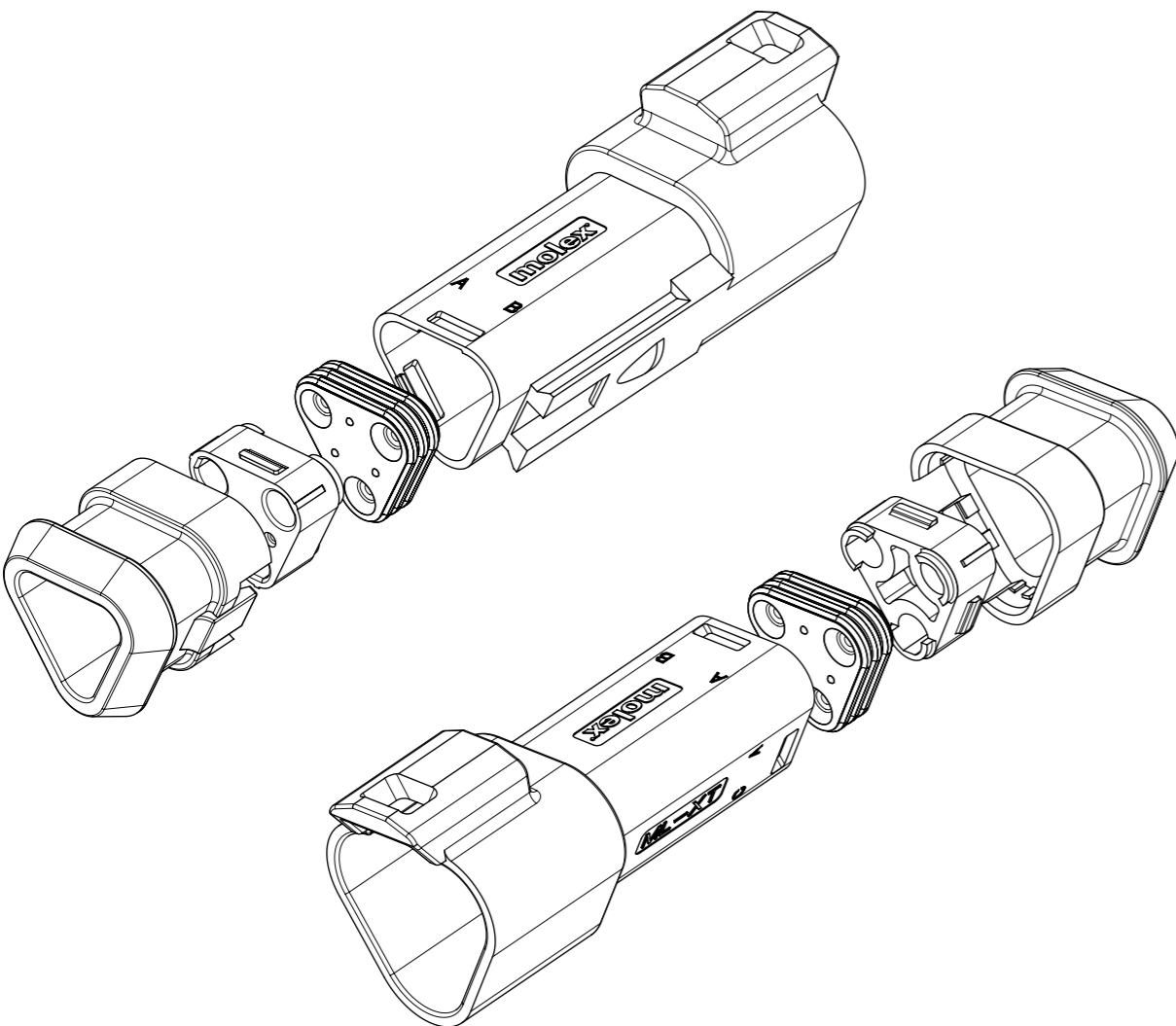
DOCUMENT STATUS	RQ	RELEASE DATE	
-----------------	----	--------------	--

3CCT RECEPTACLE CONNECTOR WITH HEATSHRINK HOUSING ULTRASONICALLY WELDED IN PLACE



PENDING APPROVAL

SYMBOLS		THIS DRAWING CONTAINS INFORMATION THAT IS PROPRIETARY TO MOLEX ELECTRONIC TECHNOLOGIES, LLC AND SHOULD NOT BE USED WITHOUT WRITTEN PERMISSION		CURRENT REV DESC: SEE LONG TEXT		molex	
▽ = 0	mm	SCALE			3CCT ML-XT CV CONNECTOR		
▽ = 0	GENERAL TOLERANCES (UNLESS SPECIFIED)		EC NO: 615165		2019/08/16		PRODUCT CUSTOMER DRAWING
▽ = 0	ANGULAR TOL ± 2.0°		DRWN: MQUINN		2019/08/23		
▽ = 0	4 PLACES ±		CHK'D: JFLETCHER		2015/01/22		DOCUMENT NUMBER
▽ = 0	3 PLACES ±		APPR:		934430020		
▽ = 0	2 PLACES ± 0.1		INITIAL REVISION:		DOC TYPE		DOC PART
▽ = 0	1 PLACE ± 0.2		DRWN: JFLETCHER		PSD		
▽ = 0	0 PLACES ±		APPR: JDWALLACE		000		REVISION
▽ = 0	DRAFT WHERE APPLICABLE MUST REMAIN WITHIN DIMENSIONS		THIRD ANGLE PROJECTION		D2		
▽ = 0			DRAWING		SERIES		MATERIAL NUMBER
▽ = 0			A3-SIZE		93443		
				CUSTOMER		SHEET NUMBER	
				SEE CHART		GENERAL MARKET	
						2 OF 7	



3CCT RECEPTACLE CONNECTOR

93444

2

-

--

SERIES No.

CIRCUIT SIZE
2 = 3CCT

ASSEMBLY OPTIONS:

- 1 = RECEP ASSEMBLY FOR WIRE JACKET RANGE: \varnothing 1.20mm-3.05mm (NOTE 2)
- 2 = RECEP ASSEMBLY FOR WIRE JACKET RANGE: \varnothing 2.23mm-3.68mm (NOTE 2)
- 5 = RECEP ASSEMBLY & HEATSHRINK FOR WIRE JACKET RANGE: \varnothing 1.20mm-3.05mm (NOTE 3)
- 6 = RECEP ASSEMBLY & HEATSHRINK FOR WIRE JACKET RANGE: \varnothing 2.23mm-3.68mm (NOTE 3)

COLOUR

- 01=BLACK
- 02=GREY
- 03=GREEN
- 04=BLUE
- 05=YELLOW
- 06 = WHITE
- 07 = BROWN
- 08 = ORANGE
- 09 = RED

EXAMPLE:

3cct RECEP BLACK WITH LARGE SEAL AND HEATSHRINK = 93444-2601

PENDING APPROVAL

NOTES

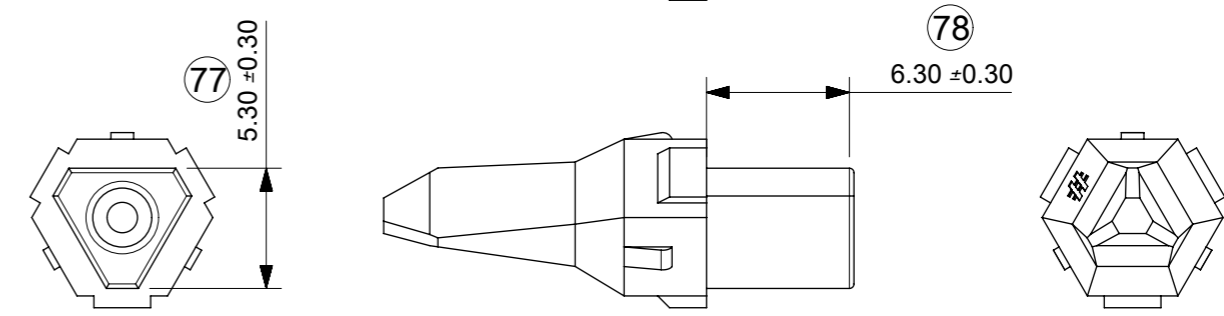
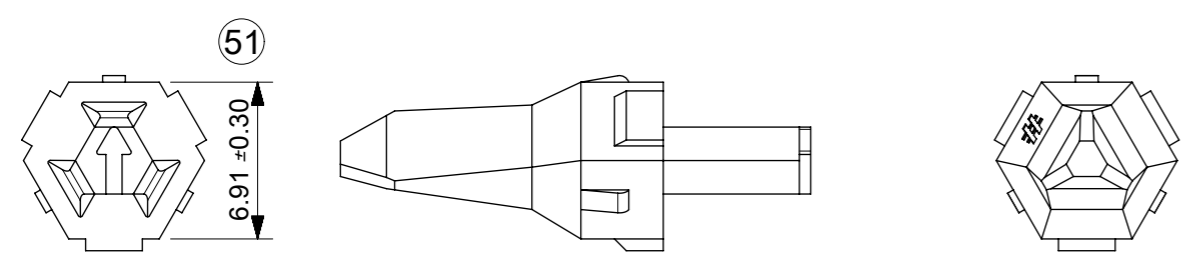
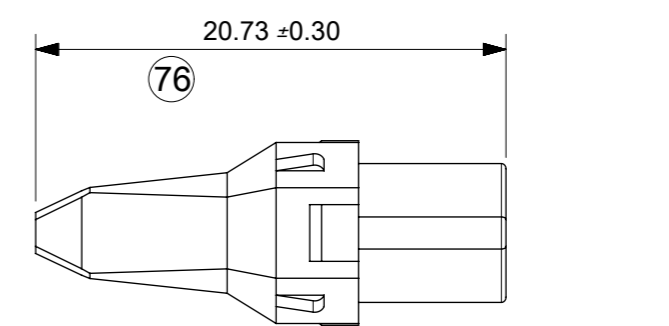
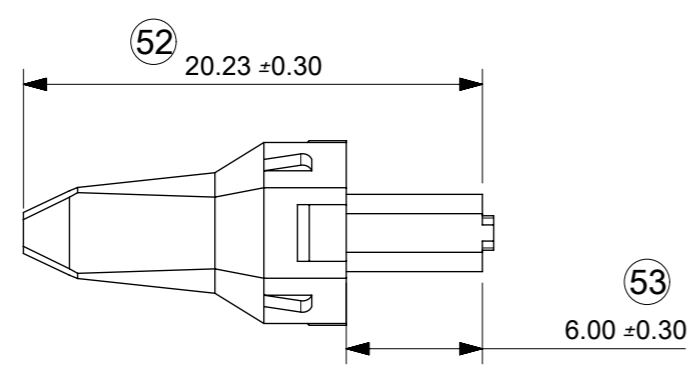
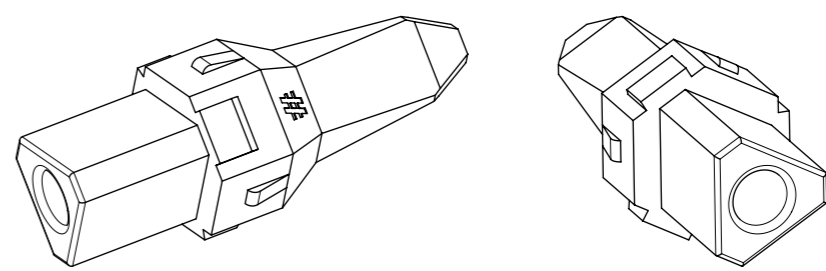
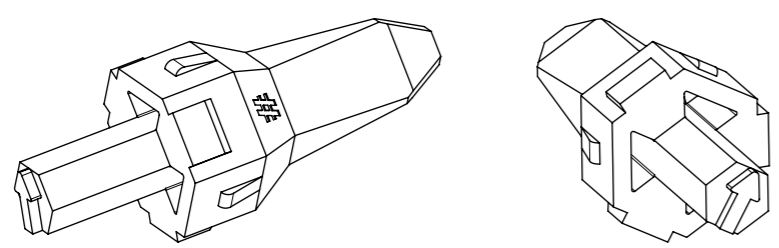
1. SEE SHEET 2 FOR UNSPECIFIED NOTES AND DIMENSIONS
2. BACK COVER HOUSING COLOUR BLACK
3. HEATSHRINK HOUSING COLOUR BLACK

THIS DRAWING CONTAINS INFORMATION THAT IS PROPRIETARY TO MOLEX ELECTRONIC TECHNOLOGIES, LLC AND SHOULD NOT BE USED WITHOUT WRITTEN PERMISSION											
SYMBOLS		DIMENSION UNITS		SCALE		CURRENT REV DESC: SEE LONG TEXT					
▽ = 0		mm									
▽ = 0		GENERAL TOLERANCES (UNLESS SPECIFIED)				EC NO: 615165		DRWN: MQUINN		2019/08/16	
▽ = 0		ANGULAR TOL ± 2.0°				CHK'D: JFLETCHER		2019/08/23		APPR:	
▽ = 0		4 PLACES ±		2 PLACES ± 0.1		INITIAL REVISION:		DRWN: JFLETCHER		2014/12/12	
▽ = 0		3 PLACES ±		1 PLACE ± 0.2		APPR: JDWALLACE		2015/01/22		DOCUMENT NUMBER	
▽ = 0		2 PLACES ±		0 PLACES ±		A3-SIZE		93443		934430020	
▽ = 0		DRAFT WHERE APPLICABLE MUST REMAIN WITHIN DIMENSIONS		THIRD ANGLE PROJECTION		DRAWING		SERIES		MATERIAL NUMBER	
▽ = 0						A3-SIZE		93443		SEE CHART	
						DRAWING		SERIES		CUSTOMER	
						A3-SIZE		93443		GENERAL MARKET	
						DRAWING		SERIES		SHEET NUMBER	
						A3-SIZE		93443		3 OF 7	

DOCUMENT STATUS	RQ	RELEASE DATE	
-----------------	----	--------------	--

RECEPTACLE WEDGELOCK STANDARD

RECEPTACLE WEDGELOCK J1939



- NOTES
- MATERIAL
HOUSING: NYLON 30% GLASS FILLED
COLOUR: GREEN
 - PART NUMBER 934472003
KEYING : STANDARD
INSPECTION NUMBERS 51-75
LAST INSPECTION NUMBER 53

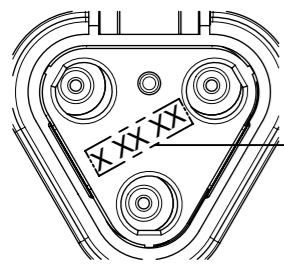
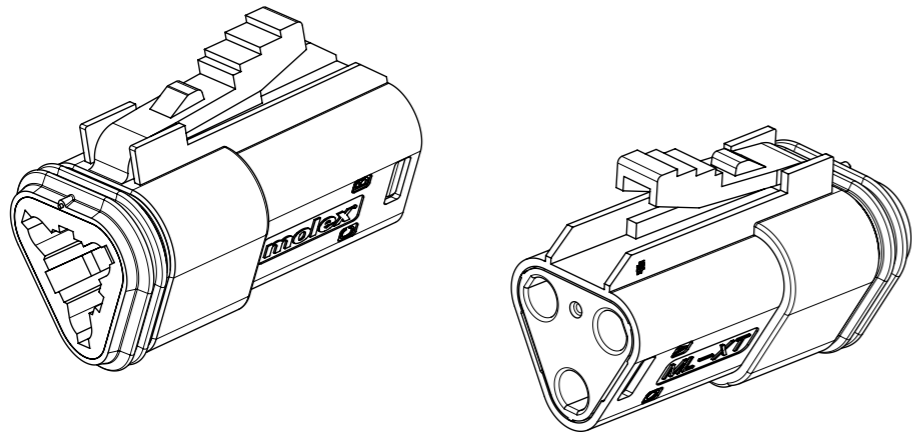
- NOTES
- MATERIAL
HOUSING: NYLON 30% GLASS FILLED
COLOUR: BLUE
 - PART NUMBER 934472004
KEYING: J1939
INSPECTION NUMBERS 76-100
LAST INSPECTION NUMBER 79

PENDING APPROVAL

THIS DRAWING CONTAINS INFORMATION THAT IS PROPRIETARY TO MOLEX ELECTRONIC TECHNOLOGIES, LLC AND SHOULD NOT BE USED WITHOUT WRITTEN PERMISSION									
SYMBOLS		DIMENSION UNITS		SCALE		CURRENT REV DESC: SEE LONG TEXT			
▽ = 0	mm					molex			
▽ = 0	GENERAL TOLERANCES (UNLESS SPECIFIED)								
▽ = 0	ANGULAR TOL ± 2.0°					3CCT ML-XT CV CONNECTOR			
▽ = 0	4 PLACES ±					PRODUCT CUSTOMER DRAWING			
▽ = 0	3 PLACES ±					DOCUMENT NUMBER			
▽ = 0	2 PLACES ± 0.1					934430020			
▽ = 0	1 PLACE ± 0.2					DOC TYPE			
▽ = 0	0 PLACES ±					PSD			
□ = 0	DRAFT WHERE APPLICABLE MUST REMAIN WITHIN DIMENSIONS	THIRD ANGLE PROJECTION		DRAWING		SERIES		SHEET NUMBER	
▽ = 0		A3-SIZE		93443		GENERAL MARKET		4 OF 7	

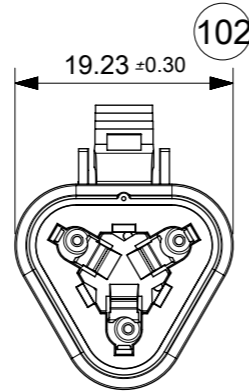
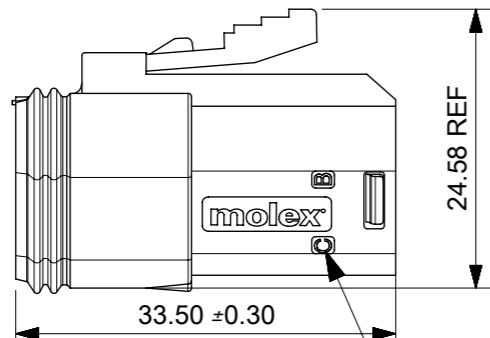
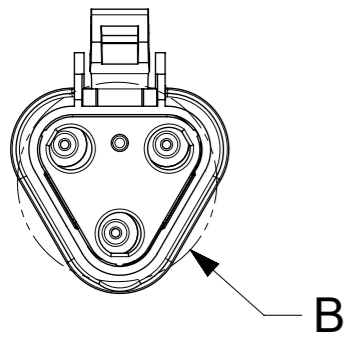
DOCUMENT STATUS	RQ	RELEASE DATE
-----------------	----	--------------

3CCT PLUG CONNECTOR



DETAIL B
SCALE 2:1

DATE CODE: X XX XX
 X — DAY: 1-7
 X — WEEK: 01 - 52
 X — YEAR: 00 - 99
 # — MACHINE NO. 1
 EXAMPLE: 11315 = DAY 1, WEEK 13, YEAR 15
 i.e. 23rd OF MARCH 2015



101

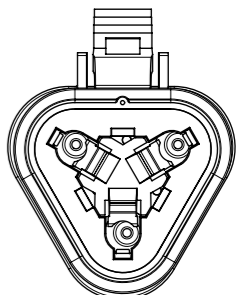
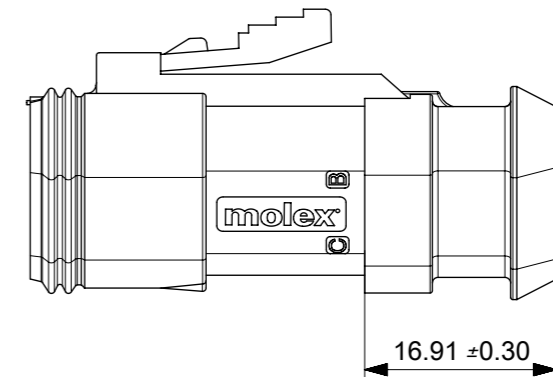
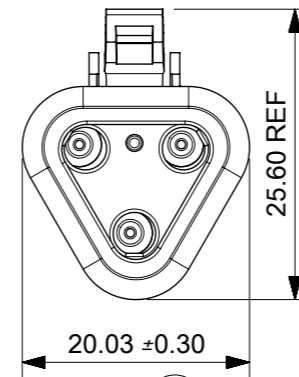
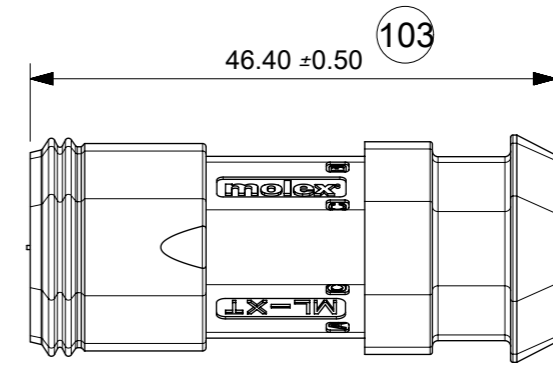
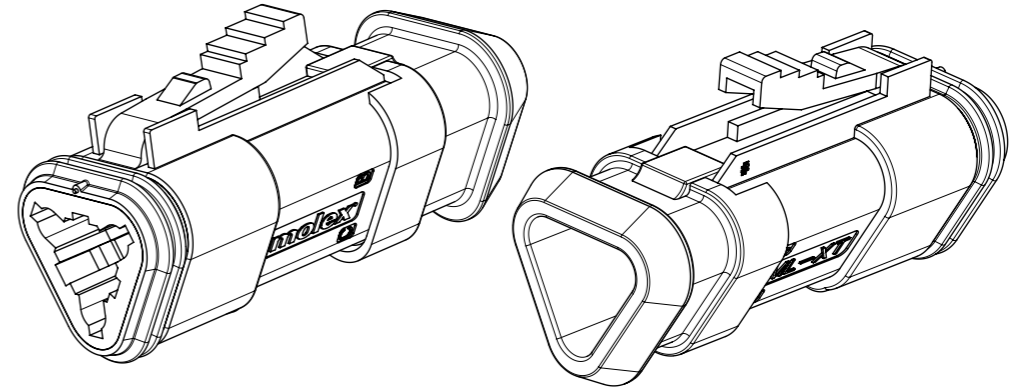
NOTE 2

NOTES

- MATERIAL:
 HOUSING: NYLON 30% GLASS FILLED
 PLUG SEAL: SILICONE RUBBER
 BACK SEAL: HIGH CONSISTENCY RUBBER
- CIRCUIT IDENTIFICATION
- JACKET RANGE LARGE = \varnothing 2.23MM TO 3.68MM (SEAL COLOUR: LIGHT BLUE)
 JACKET RANGE SMALL = \varnothing 1.20MM TO 3.05MM (SEAL COLOUR: BURNT ORANGE)
- SEE SHEET 6 FOR FINAL PART NUMBER DESIGNATION

INSPECTION NUMBERS 101-150 RESERVED FOR SHEET 5
 LAST INSPECTION NUMBER 105

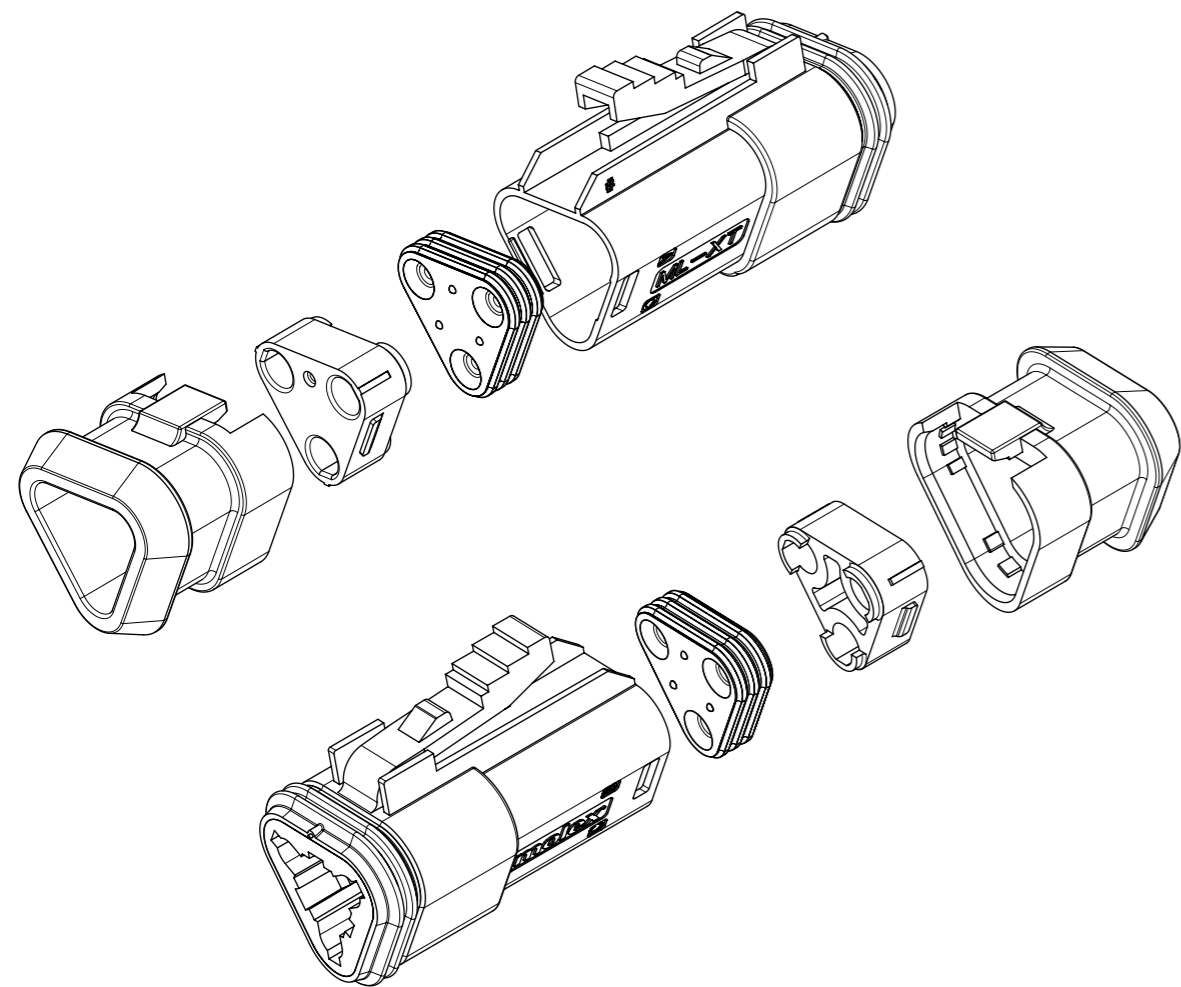
3CCT PLUG CONNECTOR WITH HEATSHRINK
 HOUSING ULTRA SONICALLY WELDED IN PLACE



PENDING APPROVAL

DOCUMENT STATUS	RQ	RELEASE DATE	
-----------------	----	--------------	--

SYMBOLS		THIS DRAWING CONTAINS INFORMATION THAT IS PROPRIETARY TO MOLEX ELECTRONIC TECHNOLOGIES, LLC AND SHOULD NOT BE USED WITHOUT WRITTEN PERMISSION		CURRENT REV DESC: SEE LONG TEXT			
▽ = 0	mm	GENERAL TOLERANCES (UNLESS SPECIFIED)		EC NO: 615165			
▽ = 0	4 PLACES	ANGULAR TOL ± 2.0°		DRWN: MQUINN 2019/08/16		PRODUCT CUSTOMER DRAWING	
▽ = 0	3 PLACES	INITIAL REVISION:		CHK'D: JFLETCHER 2019/08/23		DOCUMENT NUMBER	
▽ = 0	2 PLACES	DRWN: JFLETCHER 2014/12/12		APPR: JDWALLACE 2015/01/22		934430020	
▽ = 0	1 PLACE	DRAFT WHERE APPLICABLE MUST REMAIN WITHIN DIMENSIONS		THIRD ANGLE PROJECTION		DOC TYPE DOC PART REVISION	
▽ = 0	0 PLACES	A3-SIZE		SERIES 93443		PSD 000 D2	
▽ = 0		SEE CHART		CUSTOMER GENERAL MARKET		SHEET NUMBER 5 OF 7	



3CCT PLUG CONNECTOR

93445

2

-

--

SERIES No. _____

CIRCUIT SIZE
2 = 3CCT

ASSEMBLY OPTIONS:

- 1 = PLUG ASSEMBLY FOR WIRE JACKET RANGE: \varnothing 1.20mm-3.05mm (NOTE 2)
- 2 = PLUG ASSEMBLY FOR WIRE JACKET RANGE: \varnothing 2.23mm-3.68mm (NOTE 2)
- 5 = PLUG ASSEMBLY & HEATSHRINK FOR WIRE JACKET RANGE: \varnothing 1.20mm-3.05mm (NOTE 3)
- 6 = PLUG ASSEMBLY & HEATSHRINK FOR WIRE JACKET RANGE: \varnothing 2.23mm-3.68mm (NOTE 3)

COLOUR

- 01=BLACK
- 02=GREY
- 03=GREEN
- 04=BLUE
- 05=YELLOW
- 06 = WHITE
- 07 = BROWN
- 08 = ORANGE
- 09 = RED

EXAMPLE:

3cct PLUG BLACK WITH LARGE SEAL AND HEATSHRINK = 93444-2601

PENDING APPROVAL

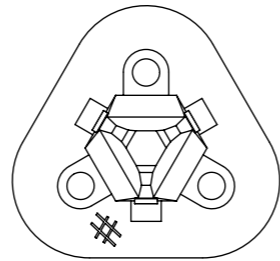
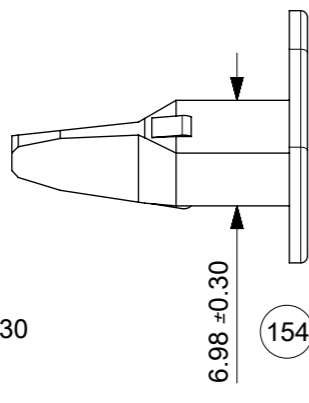
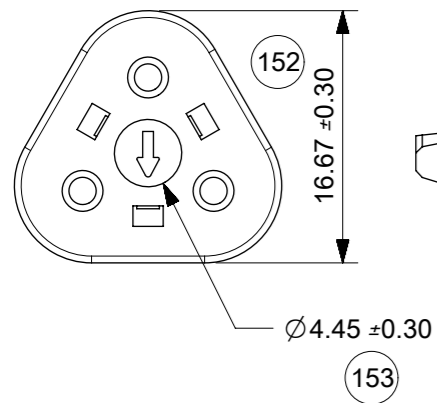
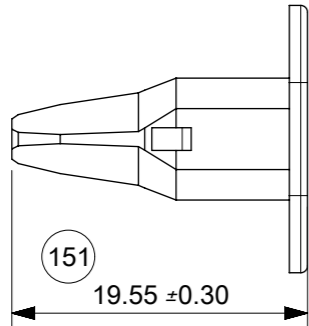
NOTES

1. SEE SHEET 5 FOR UNSPECIFIED NOTES AND DIMENSIONS
2. BACK COVER HOUSING COLOUR BLACK
3. HEATSHRINK HOUSING COLOUR BLACK

THIS DRAWING CONTAINS INFORMATION THAT IS PROPRIETARY TO MOLEX ELECTRONIC TECHNOLOGIES, LLC AND SHOULD NOT BE USED WITHOUT WRITTEN PERMISSION											
SYMBOLS		DIMENSION UNITS		SCALE		CURRENT REV DESC: SEE LONG TEXT					
▽ = 0		mm									
▽ = 0		GENERAL TOLERANCES (UNLESS SPECIFIED)				EC NO: 615165				3CCT ML-XT CV CONNECTOR	
▽ = 0		ANGULAR TOL		± 2.0°		DRWN: MQUINN 2019/08/16				PRODUCT CUSTOMER DRAWING	
▽ = 0		4 PLACES		±		CHK'D: JFLETCHER 2019/08/23				DOCUMENT NUMBER	
▽ = 0		3 PLACES		±		APPR:				934430020	
▽ = 0		2 PLACES		± 0.1		INITIAL REVISION:				DOC TYPE	
▽ = 0		1 PLACE		± 0.2		DRWN: JFLETCHER 2014/12/12				DOC PART	
▽ = 0		0 PLACES		±		APPR: JDWALLACE 2015/01/22				REVISION	
▽ = 0		DRAFT WHERE APPLICABLE MUST REMAIN WITHIN DIMENSIONS		THIRD ANGLE PROJECTION		DRAWING		SERIES		SHEET NUMBER	
▽ = 0						A3-SIZE		93443		6 OF 7	

DOCUMENT STATUS	RQ	RELEASE DATE	
-----------------	----	--------------	--

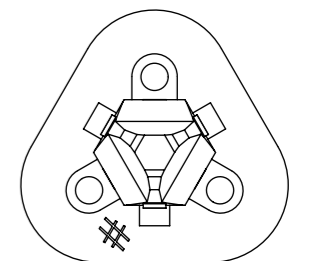
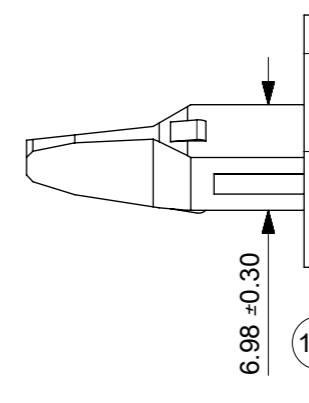
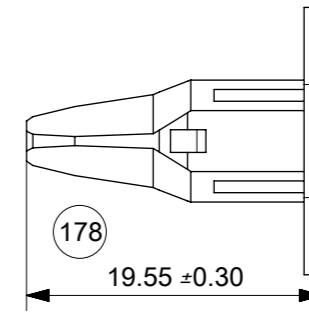
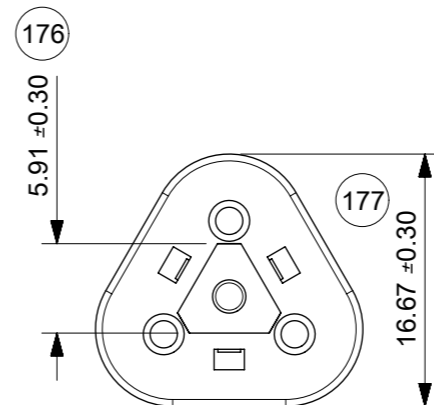
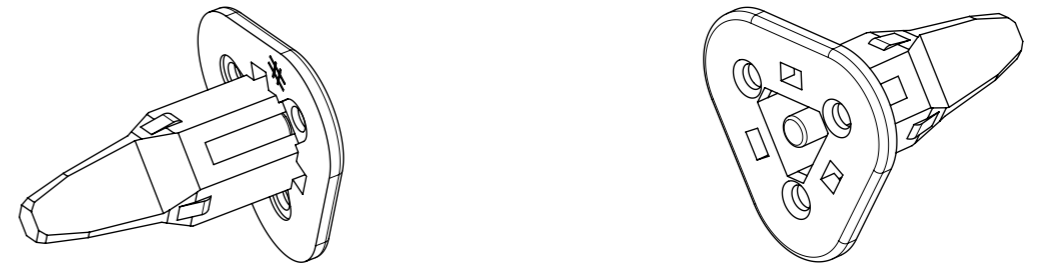
9 8 7 6 5 4 3 2 1
PLUG WEDGELOCK STANDARD



- NOTES**
 1. MATERIAL: SEE TABLE
 2. PART NUMBER 934482003
 KEYING : STANDARD
 INSPECTION NUMBERS 151-175
 LAST INSPECTION NUMBER 154

PART NUMBER	DESCRIPTION	MATERIAL
934482003	3CCT WEDGELOCK PLUG NO KEY GREEN	NYLON 30% GF COLOUR: GREEN
934482008	3CCT WEDGELOCK PLUG NO KEY ORANGE	NYLON 30% GF COLOUR: ORANGE

9 8 7 6 5 4 3 2 1
PLUG WEDGELOCK J1939



- NOTES**
 1. MATERIAL
 HOUSING: NYLON 30% GLASS FILLED
 COLOUR: BLUE
 2. PART NUMBER 934482004
 KEYING : J1939
 INSPECTION NUMBERS 176-200
 LAST INSPECTION NUMBER 179

PENDING APPROVAL

THIS DRAWING CONTAINS INFORMATION THAT IS PROPRIETARY TO MOLEX ELECTRONIC TECHNOLOGIES, LLC AND SHOULD NOT BE USED WITHOUT WRITTEN PERMISSION

SYMBOLS DIMENSION UNITS: mm SCALE: CURRENT REV DESC: SEE LONG TEXT GENERAL TOLERANCES (UNLESS SPECIFIED): ANGULAR TOL ± 2.0° 4 PLACES ± 3 PLACES ± 2 PLACES ± 0.1 1 PLACE ± 0.2 0 PLACES ± DRAFT WHERE APPLICABLE MUST REMAIN WITHIN DIMENSIONS THIRD ANGLE PROJECTION DRAWING: A3-SIZE SERIES: 93443	EC NO: 615165 DRWN: MQINN 2019/08/16 CHK'D: JFLETCHER 2019/08/23 APPR: INITIAL REVISION: DRWN: JFLETCHER 2014/12/12 APPR: JDWALLACE 2015/01/22		molex 3CCT ML-XT CV CONNECTOR PRODUCT CUSTOMER DRAWING	
	DOCUMENT NUMBER: 934430020 DOC TYPE: PSD DOC PART: 000 REVISION: D2	MATERIAL NUMBER: SEE CHART CUSTOMER: GENERAL MARKET SHEET NUMBER: 7 OF 7		

DOCUMENT STATUS	RQ	RELEASE DATE	
-----------------	----	--------------	--